

# mL-P18

## PROCESS INDICATOR - UNIVERSAL INPUT

### FEATURES

- 4 digit process display
- Universal process input (TC, RTD, mV DC, V DC, mA DC)
- Dual or multi point calibration for DC voltage & DC current inputs
- Smart output module system
- Programmable Alarm functions
- Process control or re-transmission with 0/4...20 mA Current output
- RS-485 serial communication with Modbus RTU protocol



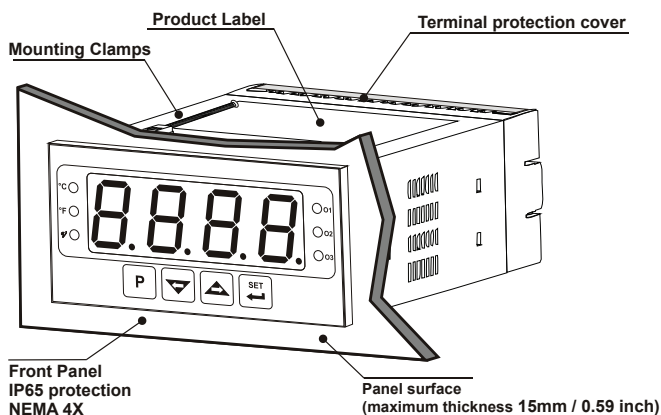
### DESCRIPTION

The mL-P18 process indicators are designed for measuring temperature and any process value. They can be used in many applications with their universal process input, alarm functions and serial communication unit.

#### Application Fields

Glass  
Food  
Plastic  
Petrol-Chemistry  
Textile,  
Machine Production Industries Etc.

### GENERAL DESCRIPTION

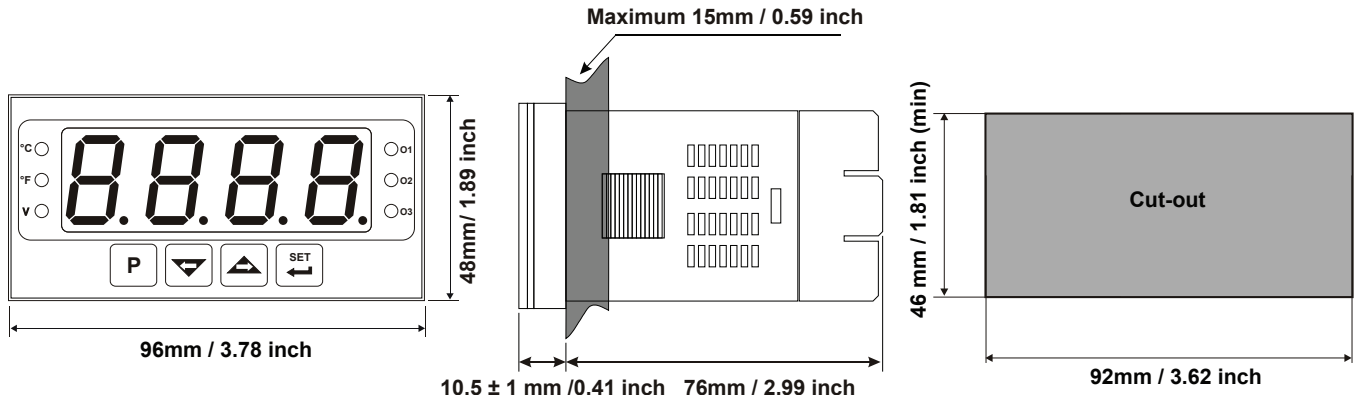


### SPECIFICATIONS

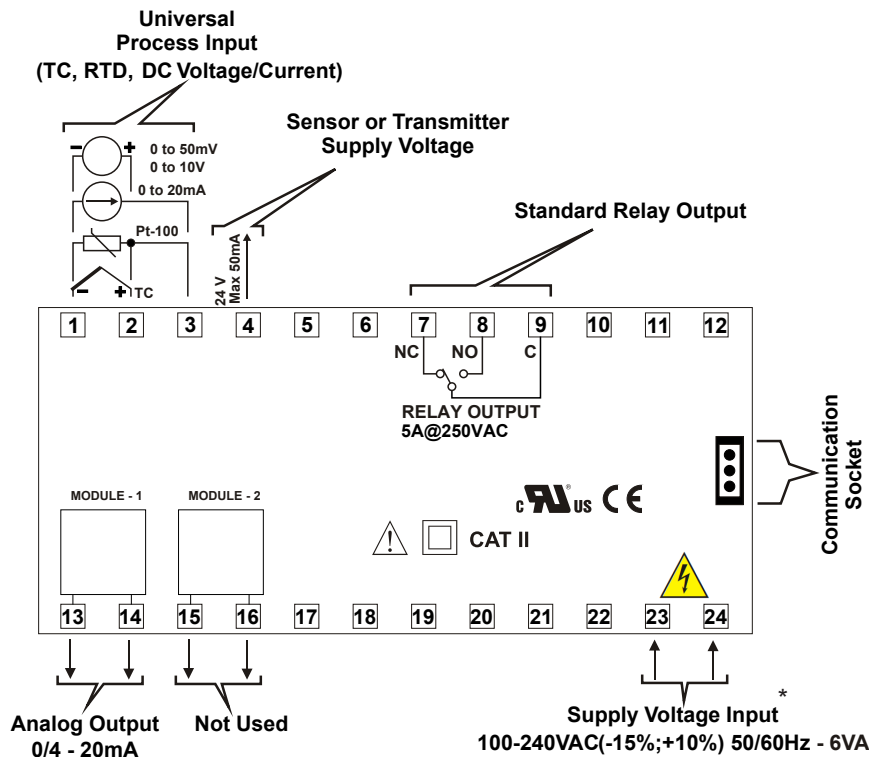
Buttons	Program Arrow (change), Set/Enter buttons
Led Indicators	Q1, Q2, Q3, °C / °F / V Leds.
Display	20.3 mm Red 4 digits LED display
Physical Features	96 mm x 48 mm 86,5 mm
Protection Class	NEMA 4X (IP65 at front, IP20 at rear)
Weight	Approximately 0.21 Kg.
Installation	Fixed Installation
Supply Voltage and Power	100-240 VAC (-15%,+10%) 50/60 Hz. 6 VA
Process Inputs	Universal Input TC, RTD, Voltage/Current (dc)
Thermocouple Input Types	Selectable by configuration parameters L (DIN43710), J, K, R, T, S, B, E, N (IEC584.1) (ITS90)
RTD Input Types	PT100 (IEC751) (ITS90)
Voltage Input Types (DC)	Selectable by configuration parameters 0-50 mV, 0-5 V, 0-10 V
Current Input Types (DC)	Selectable by configuration parameters 0-20 mA, 4-20 mA
Accuracy	± 0.25% of full scale for Thermocouple, Thermoresistance, and Voltage.
Reading Frequency	3 readings per second
Relay Output	5A@250 VAC at resistive load
Control Form	On / Off
Analog Output	0/4-20mA Current Output (sourcing)
Serial Communication	RS-485 with Modbus RTU (cable purchased separately)
Communication Protocol	MODBUS-RTU
Approvals	UL Recognized Component (File No : E 254103), GOST-R, CE

**PRELIMINARY DATASHEET; SPECIFICATIONS ARE SUBJECT TO CHANGE**

## DIMENSIONS



## WIRING



\* External Fuse is recommended (1A T)

## ORDERING INFORMATION

Model Number	Description
mL-PI8	Process Indicator 1/8 DIN Case Universal Input. Selectable: TC, RTD, mV, VDC, or mA 100 to 240VAC (-15%; +10%) 50/60Hz Relay Output (5A @ 250VAC with Resistive Load) (1 NO; 1NC) RS-485 Serial Communication with Modbus RTU Protocol Analog Output 0/4 - 20mA

PRELIMINARY DATASHEET; SPECIFICATIONS ARE SUBJECT TO CHANGE