



# iMAG 4700

Municipal/Industrial Magmeter  
Instructions



**General Information**

General Information .....Page 3  
 Features .....Page 3  
 Specifications .....Page 4  
 Dimensions .....Page 5  
 Accuracy .....Page 6  
 Flow Rate .....Page 6

**Installation**

Straight Pipe Recommendations .....Page 7  
 Full Pipe Recommendations.....Page 8  
 Positioning the Meter .....Page 9  
 Installing Gaskets.....Page 9  
 Tightening Flange Bolts .....Page 10  
 Equalization and Grounding (Metal and Plastic Pipe).....Page 10

**Connections**

General Cable Information.....Page 11  
 Cable Gland Opening and Sealing.....Page 11  
 Cable Installation .....Page 12  
 Wiring Diagrams .....Page 13  
 Cable Wiring Table .....Page 15

**Configuration**

Sourcing Mode Output Application .....Page 16  
 Sinking Mode Output Application.....Page 16  
 Analog (4-20mA Current Loop) Output Application .....Page 16  
 Cable Shield.....Page 17  
 Pulse Output.....Page 17  
 Analog (4-20mA) Output.....Page 18  
 HART Output.....Page 18  
 Modbus Output.....Page 18  
 Digital Output .....Page 18

**Operation**

Changing Flow Meter Settings - Home Screen and General Navigation.....Page 19  
 Changing Flow Meter Settings - Changing Total Direction/Resetting Totalizers .....Page 19  
 Changing Flow Meter Settings - Entering Menu System.....Page 19  
 Changing Flow Meter Settings - Making Selections.....Page 19  
 Changing Flow Meter Settings - Standard Menu Options.....Page 20  
 Changing Flow Meter Settings - Special Submenu.....Page 20  
 To Change a Passcode .....Page 21  
 Power Indicators .....Page 21  
 Battery Powered Units .....Page 22

**Troubleshooting & Error Messages**

Problem .....Page 23  
 Probable Cause.....Page 23  
 Things to Try .....Page 23  
 Error Messages .....Page 23

**Warranty**

Seametrics Limited Warranty .....Back

Note: These instructions cover the iMAG 4700. For details on the iMAG 4700p or 4700r, see the *iMAG 4700p* or *iMAG 4700r Municipal/Industrial Magmeter Instructions*.

The **iMAG-Series** is the most economical flanged electromagnetic flowmeter on the market. With electrodes designed to discourage fouling, it is available in 4" to 12" pipe in municipal or industrial water, waste and reclaimed water, pump stations, and packaged plant applications. (For 3" version, see iMAG 4600-300.) Minimal straight pipe requirements allow iMAG-Series meters to be used in piping configurations where there is little space between the meter and an elbow.

iMAG-Series meters are rated IP68 for burial or for applications where the meter may be under water for prolonged periods of time.

Rate and total units and pulse scaling can be set via the front panel touch key pad by the user. Bidirectional flow reading is standard with totals available in forward, reverse, net flow, batch forward flow, and batch reverse flow. Batch totals can be reset.

A power/output cable allows outputs for use with a variety of Seametrics and other displays and controls for remote reading and telemetry applications. Pulse output is standard on all models. In addition, 4-20mA passive current loop, HART protocol, high speed digital, and Modbus® protocol outputs are optional on the externally powered units, depending on model.

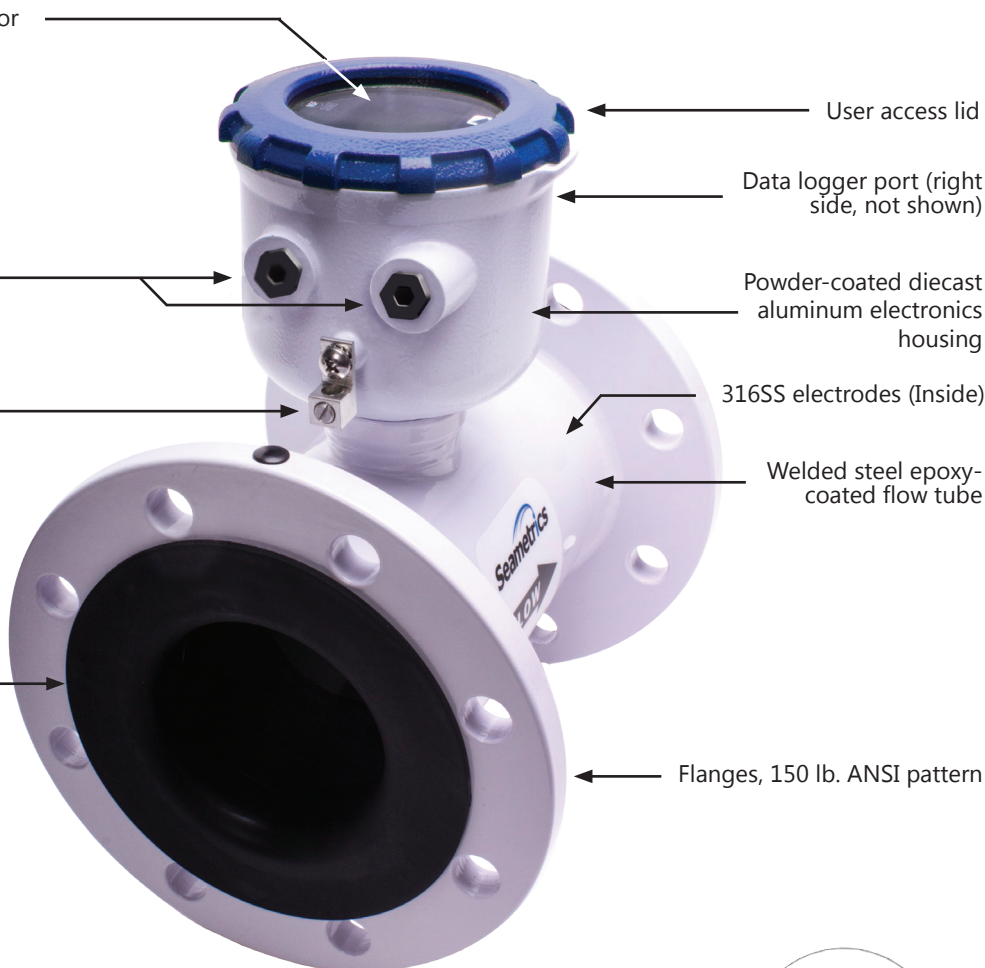
**Features**

Rate and total indicator with light sensor  
button controls

Power and Output cable  
port access

Equalization lug

Santoprene/Polypropylene Liner



User access lid

Data logger port (right  
side, not shown)

Powder-coated diecast  
aluminum electronics  
housing

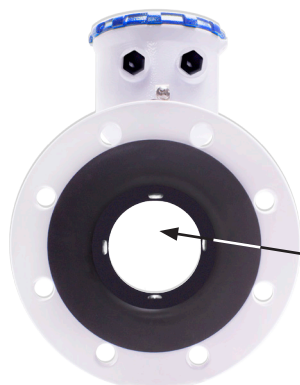
316SS electrodes (Inside)

Welded steel epoxy-  
coated flow tube

Flanges, 150 lb. ANSI pattern

**iMAG 4700**

**No moving parts!**



Protective faceplate  
cover and lanyard



## Specifications\*

|                                  |   |   |   |  |
|----------------------------------|---|---|---|--|
| <b>Pipe Sizes</b>                | 4", 6", 8", 10", 12" (For 3" version, see iMAG 4600-300.)   |   |   |  |
| <b>Flanges</b>                   | 150 lb. ANSI Pattern  |   |   |  |
| <b>Pressure</b>                  | 150 psi (10.3 bar) line pressure  |   |   |  |
| <b>Temperature</b>               | <b>Operating</b>  | 10° to 130° F (-12° to 54° C)   |   |  |
|                                  | <b>Storage</b>  | -40° to 158° F (-40° to 70° C)  |   |  |
| <b>Accuracy</b>                  | ± 1.0% of reading, ± 0.025% of full-scale flow from low flow cutoff to maximum flow rate of 10 m/sec          |   |   |  |
| <b>Low Flow Cutoff</b>           | 0.5% of maximum flow rate   |   |   |  |
| <b>Material</b>                  | <b>Body (4"-12")</b>  | Welded steel, epoxy-coated  |   |  |
|                                  | <b>Liner (4"-12")</b>   | Santoprene flange/Polypropylene liner body  |   |  |
|                                  | <b>Electronics Housing</b>  | Powder-coated diecast aluminum  |   |  |
|                                  | <b>Electrodes</b>   | 316 stainless steel   |   |  |
| <b>Display</b>                   | <b>Type</b>   | 128x64 dot-matrix LCD   |   |  |
|                                  | <b>Digits</b>   | 5 Digit Rate  | 8 Digit Total   |  |
|                                  | <b>Units</b>  | Rate Volume Units   | Rate Time Units   | Total Volume Units   |
|                                  |   | <i>Please Note:<br/>All iMAG meters are factory set for gallons per minute (GPM) rate and gallons total. If other units are required, they can be set in the field.</i>                       |   | Gallons<br>Liters<br>Barrels (42 gallons)<br>Cubic Feet<br>Cubic Meters<br>Million Gallons <sup>2</sup><br>Mega Liters<br>Imperial Gallons<br>Million Imperial Gallons <sup>2</sup>                                    |
|                                  |   | Second<br>Minute<br>Hour<br>Day   | Gallons<br>Gallons x 10<br>Gallons x 100<br>Gallons x 1000<br>Million Gallons<br>Liters<br>Kilo Liters<br>Mega Liters<br>Barrels (42 gallons)<br>Cubic Meters | Cubic Meters x 1000<br>Cubic Feet<br>Cubic Feet x 1000<br>Second Foot Day<br>Million Cubic Feet<br>Imperial Gallons<br>Imperial Gallons x 1000<br>Million Imperial Gallons<br>Acre Feet<br>Acre Inches<br>Fluid Ounces |
| <b>Bidirectional<sup>1</sup></b> | Forward Total, Reverse Total, Net Total, Batch Forward Total, Batch Reverse Total (Batch totals can be reset) |   |   |  |
| <b>Power</b>                     | <b>DC Power</b>   | 9-36 Vdc @ 250 mA max, 30 mA average, with two lithium 3.6V 'D' batteries, replaceable.   |   |  |
|                                  | <b>Battery</b>  | Two lithium 3.6V 'D' batteries, replaceable.  |   |  |
| <b>Scaled Pulse Output</b>       | <b>Signal</b>   | Current sinking pulse, isolated, 36 Vdc at 10 mA max  |   |  |
|                                  | <b>Pulse Rates</b>  | User-scalable from 0.1 to 99,999.9 volume units/pulse. Pulse width is one-half of pulse period with minimum pulse width of 2.5 ms, 200 pulses/sec max, 150 pulses/sec max with battery option |   |  |
| <b>Options</b>                   | <b>4-20mA Current Loop</b>  | Isolated, passive, 24Vdc, 650 Ω maximum current loop  |   |  |
|                                  | <b>HART/4-20mA</b>  | HART protocol over 4-20mA line  |   |  |
|                                  | <b>High Speed Digital Output</b>  | Isolated, open collector, 24 Vdc  |   |  |
|                                  | <b>Serial Communications</b>  | Isolated, asynchronous serial RS485 (Reconfigurable for RS232 or 3.3V CMOS), Modbus® RTU protocol (factory selectable)  |   |  |
| <b>Cable</b>                     | <b>Power/Output Cable</b>   | 20ft (6m) standard length polyurethane jacketed cable—for power and outputs (lengths up to 200' available).   |   |  |
| <b>Conductivity</b>              | >20 microSiemens/cm   |   |   |  |
| <b>Empty Pipe Detection</b>      | Hardware/software, conductivity-based   |   |   |  |
| <b>Regulatory</b>                | C E (EN 61326)  |   |   |  |
| <b>Environmental</b>             | IP68 (10ft (3m) depth, continuously)  |   |   |  |

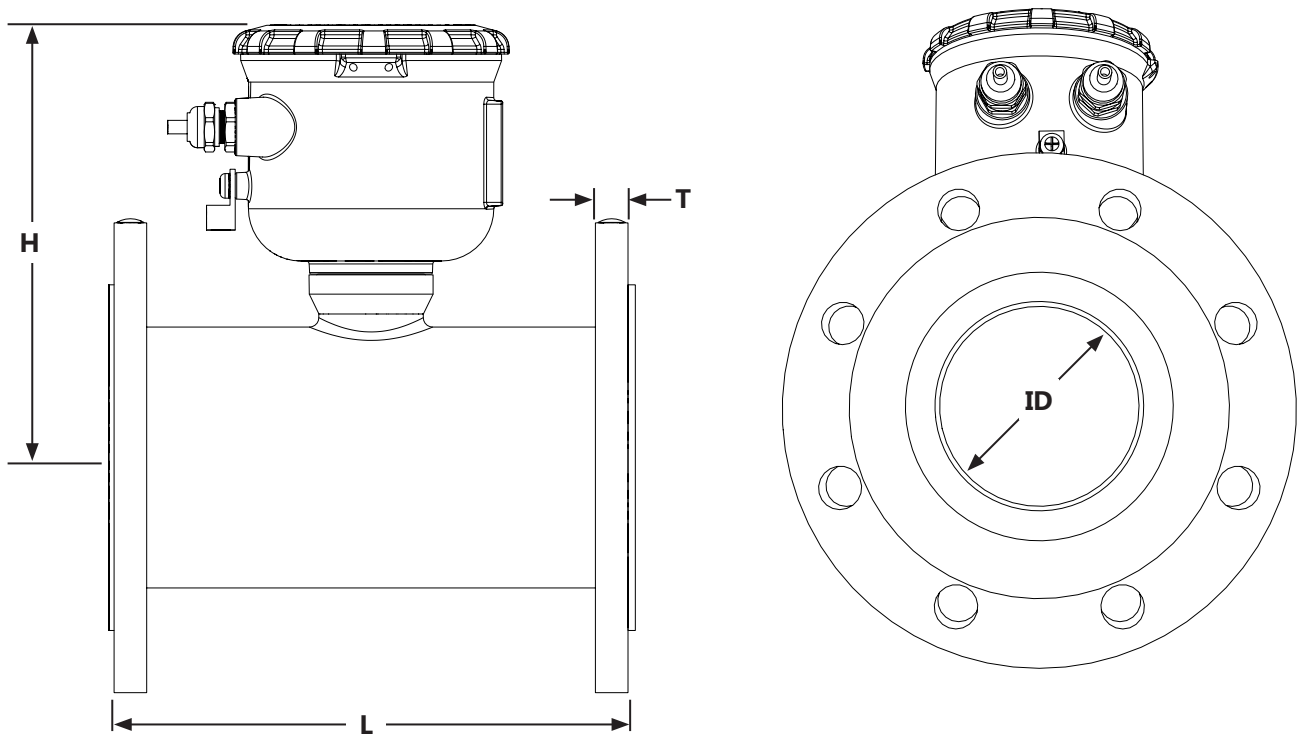
Modbus is a registered trademark of Schneider Electric.

\* Specifications subject to change. Please consult our website for the most current data ([www.seametrics.com](http://www.seametrics.com)).

<sup>1</sup> If forward and reverse flow data needs to be sent to another device, either the Digital or Modbus output is required.

<sup>2</sup> Rate Time Unit is available in Day only.

Dimensions

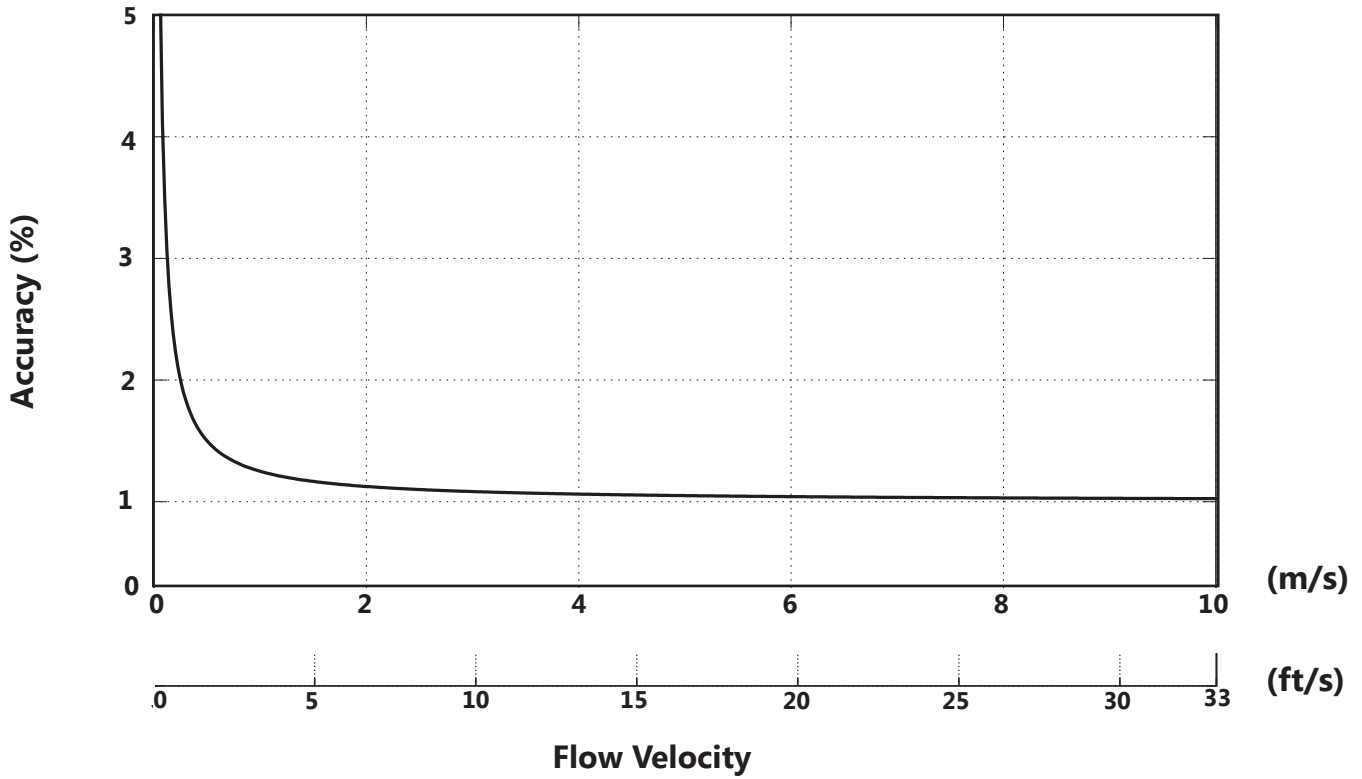


| iMAG 4700 Meter Size | L                              |     | H    |     | T    |      | ID    |     | Shipping Weight |    |
|----------------------|--------------------------------|-----|------|-----|------|------|-------|-----|-----------------|----|
|                      | inch                           | mm  | inch | mm  | inch | mm   | inch  | mm  | lbs             | Kg |
| 4"                   | 10.24                          | 260 | 8.3  | 211 | .62  | 15.7 | 3.12  | 79  | 27              | 12 |
| 6"                   | 12.27                          | 312 | 9.1  | 231 | .69  | 17.5 | 5.05  | 128 | 42              | 19 |
| 8"                   | 14.24                          | 362 | 10.1 | 257 | .69  | 17.5 | 6.44  | 164 | 64              | 29 |
| 10"                  | 18.18                          | 462 | 11.2 | 284 | .69  | 17.5 | 8.61  | 219 | 123             | 56 |
| 12"                  | 19.68                          | 500 | 12.2 | 310 | .81  | 20.6 | 10.55 | 268 | 165             | 75 |
| <b>Flanges</b>       | Standard ANSI 150 lb. drilling |     |      |     |      |      |       |     | Cable 1 lb.     |    |

Install security seal during installation if regulations require.



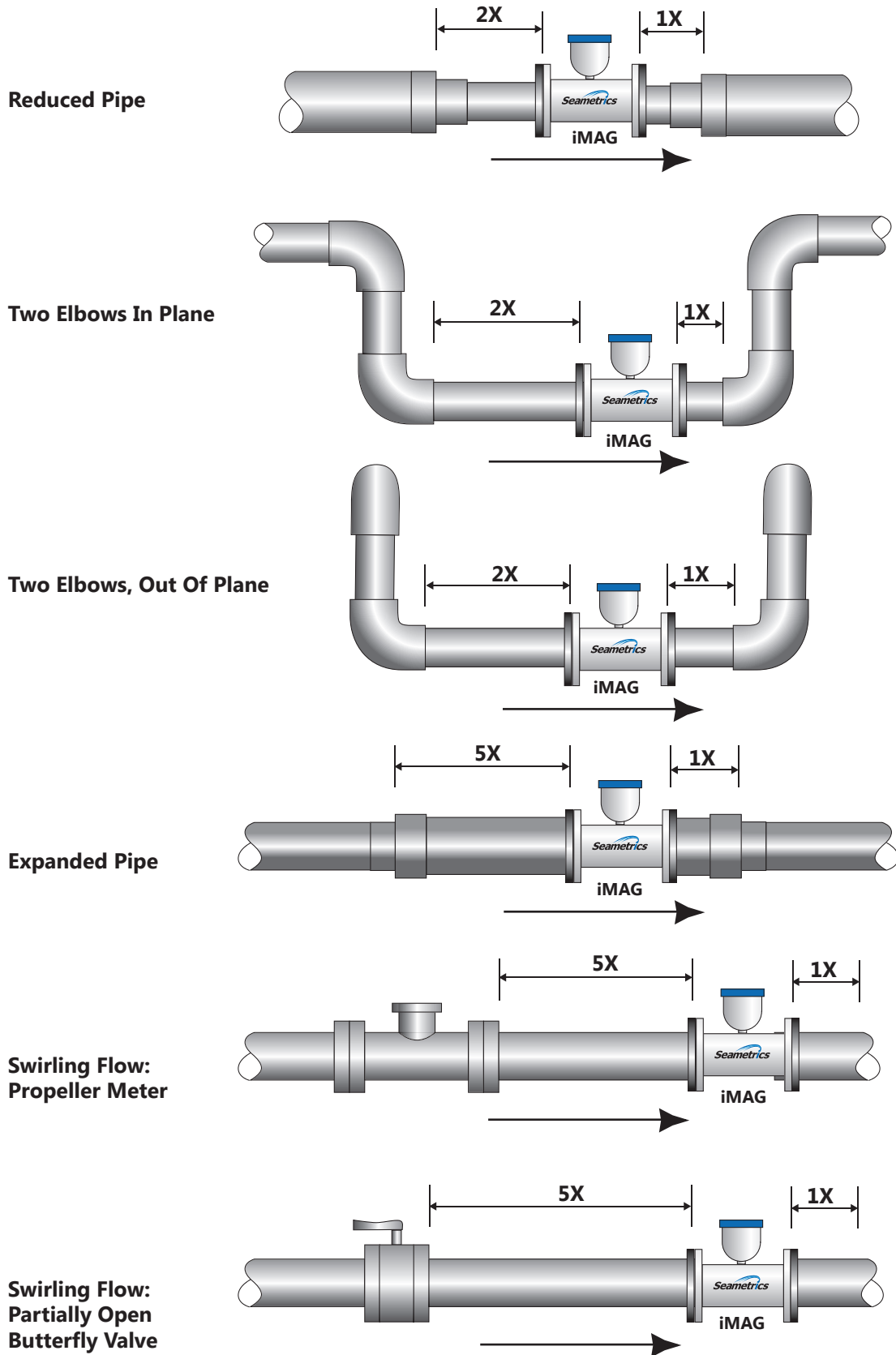
iMAG Accuracy



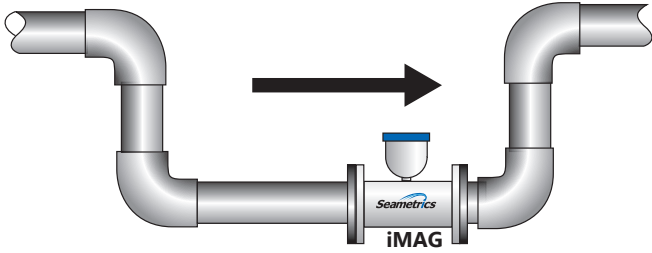
Flow Rate (4" - 12")

| Pipe Size<br><i>(Inches in diameter)</i>                  | 4"   | 6"    | 8"    | 10"   | 12"   |
|---|------|-------|-------|-------|-------|
| <b>Max Flow Rate</b><br><i>(Gallons/Minute)</i>           | 1285 | 2891  | 5140  | 8031  | 11565 |
| <b>Cut-off (min) Flow Rate</b><br><i>(Gallons/Minute)</i> | 6.43 | 14.46 | 25.70 | 40.15 | 57.82 |
| <b>Max Flow Rate</b><br><i>(Liters/Second)</i>            | 81   | 182   | 324   | 507   | 730   |
| <b>Cut-off (min) Flow Rate</b><br><i>(Liters/Second)</i>  | 0.41 | 0.91  | 1.62  | 2.54  | 3.65  |
| <b>Max Flow Velocity</b><br><i>(Meters/Second)</i>        | 10   | 10    | 10    | 10    | 10    |

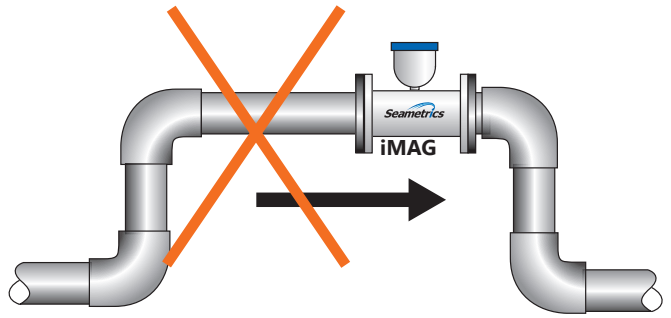
Straight Pipe Recommendations (X = diameter)



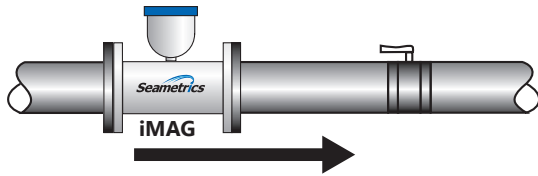
Full Pipe Recommendations



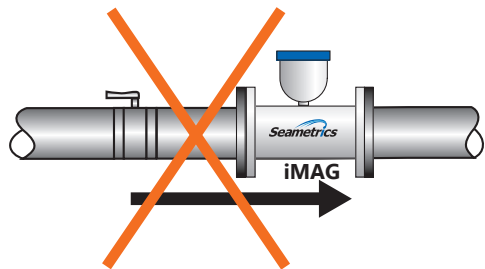
**Recommended:**  
Keep pipe full at meter for accuracy



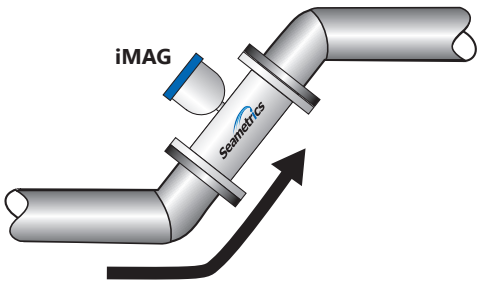
**Not Ideal:**  
Allows air pockets to form at meter



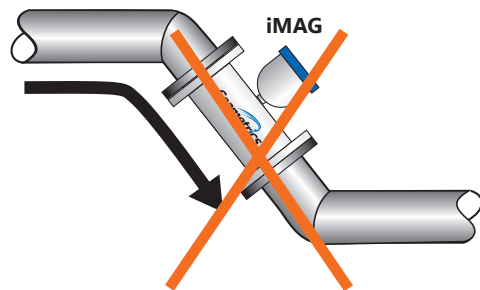
**Recommended:**  
Keeps pipe full at meter for accuracy



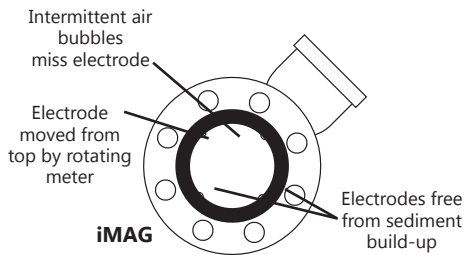
**Not Ideal:**  
Post-valve cavitation can create air pocket



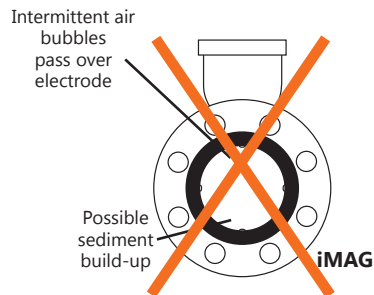
**Recommended:**  
Allows air to bleed off



**Not Ideal:**  
Air can be trapped



**Recommended:**  
Improved accuracy results from unimpeded electrodes



**Not Ideal:**  
Air bubbles and sediment on the electrodes can affect accuracy



**Positioning the Meter**



**CAUTION:** These flow sensors are not recommended where installation may expose the flow sensor to boiler pressure and temperature. Maximum recommended operating temperature is 130° F.

These meters can be installed horizontally, vertically (with upward flow), or in any radial position. **Using a check valve on the upstream side of the meter, and/or an air vent (vacuum relief valve) in the same, unobstructed run of pipe as the meter, is required in any installation where the meter may be exposed to suction when the system is not in normal operation. Suction can cause damage to the liner. Liner damage caused by suction, without the use of a check valve and/or air vent, may void the warranty.**

**Straight Pipe Recommendations.** The iMAG requires straight pipe before and after the meter for best accuracy. However, the ability of electromagnetic meters to average the flow across the entire pipe allows for shorter straight pipe recommendations than most mechanical meters (see page 7).

**Full Pipe Recommendations.** To prevent false readings, this meter is designed to indicate 'EMPTY PIPE' if one or more electrodes is exposed. For highest accuracy, install the meter so that the pipe will be full when there is flow. If air bubbles may be present in the pipe or sludge accumulation is an issue, rotate the meter by one flange hole to position the control housing at a 45° angle (see diagrams on page 8).

**Fittings.** The iMAG has ANSI 150 lb. drilled flanges and will mate with any other ANSI 150 lb. flanges. See table on page 10 for flange bolt tightening torque specifications.

**Calibration.** The iMAG is factory-calibrated and will not require any form of field calibration.

**Chemical Injection.** When the iMAG is used in a chemical injection application, the chemical injection point must be placed downstream of the magmeter OR far enough upstream for complete mixing to occur before the fluid reaches the meter. When unmixed chemical alternates with water passing through the meter, the rapid changes in conductivity may cause sudden spikes and drops in the meter's reading, resulting in inaccurate measurement. The magmeter will re-stabilize, however, with a steady flow of fluid of uniform conductivity.



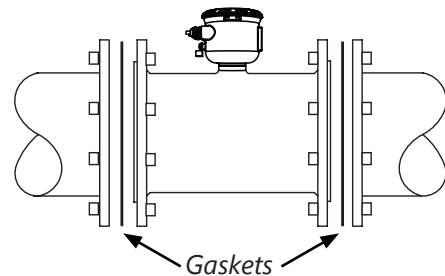
**CAUTION:** In chemical injection applications, install chemical injection point downstream of magmeter, or far enough upstream to allow complete mixing of fluids.

**Installing Gaskets**

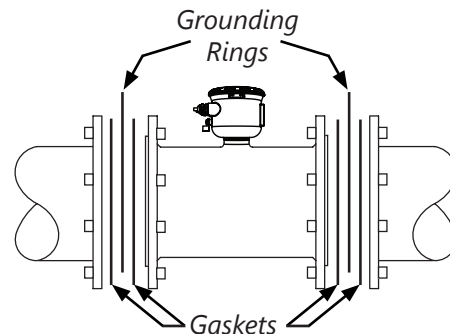


**GASKETS**  
Gaskets are required at all junctions.

1. Select a suitable full-face gasket.
  - Only use flat compressible gaskets (either pliable or hard fiber will work).
  - Use a material compatible with the fluid you will be using.
  - Thickness should be 1/8" - 1/4" (3 - 6 mm), depending on the flatness of the pipe flange surface.
  - Inner diameter must be larger than opening in flow meter.
2. Be sure all mating surfaces are smooth and free of debris.
3. Install gaskets on each end of meter as shown in diagrams below. If using grounding rings, install one gasket on each side of the grounding ring.



Installation without grounding rings

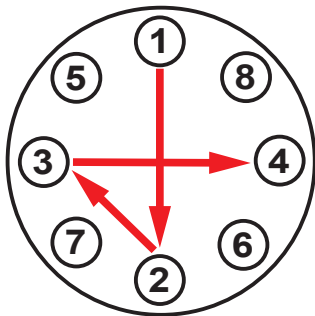


Installation with grounding rings

**Tightening Flange Bolts**

NOTE: Mating pipe flanges must be ANSI 150# full face (FF) and/or raised face (RF).

1. Tighten flange bolts in an alternating pattern.
  - Tighten left flange bolt-1 to 20% recommended torque.
  - Tighten right flange bolt-1 to 20% of recommended torque.
  - Repeat steps a and b for each bolt in an alternating order, such as shown at right, tightening to 40%, then 60%, then 80%, and then 100%.
2. Test for leaks.
3. If needed, tighten further in 10% increments until leaking stops. **DO NOT over-tighten. Over-tightening can cause serious damage to the flow meter.**
4. Recheck after 24 hours, adjusting if needed.



*Suggested Tightening Sequence*



**Caution:** Improper tightening sequence can cause serious damage to the flow meter.

- Do not tighten one side at a time.
- Do not tighten each bolt completely at one time.

**SUGGESTED FLANGE BOLT TORQUE**

| Pipe Size | Santoprene Liner |     |
|-----------|------------------|-----|
|           | ft-lb            | Nm  |
| 4"        | 20               | 27  |
| 6"        | 42               | 57  |
| 8"        | 65               | 88  |
| 10"       | 73               | 99  |
| 12"       | 97               | 132 |

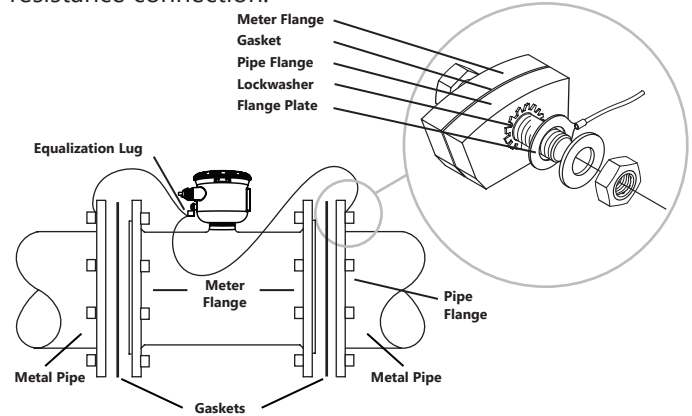
**Equalization and Grounding**



**WARNING: ELECTRICAL SHOCK HAZARD**

When the iMAG is installed in a plastic piping system, or when externally powered, the piping system must be grounded to meet national and local electrical safety codes. Failure to do so can result in electrocution.

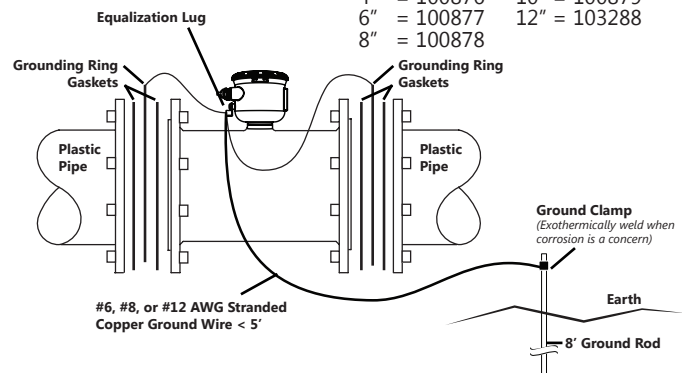
**Metal Pipe Installations.** To equalize the electrical potential of the fluid, the iMAG meter, and the surrounding pipe, secure the flange plates (factory-installed on the equalization wire) to both pipe flanges at one of the bolt holes, as shown below. Be sure the lock washer fits between the pipe flange and the flange plate. For the best electrical bonding, remove rust and paint to expose clean, bare metal where the equalization flange plate lock washer contacts the pipe flange. Connection must be inspected periodically for corrosion to maintain the necessary low resistance connection.



**Plastic Pipe Installations.** When the iMAG is installed in a plastic piping system, grounding rings are recommended, especially in the presence of electrical interference sources such as VFD pump drives. As shown in the diagram below, the equalization wires should then be connected to the grounding ring tabs instead of the flange bolts as in metal piping installations. Where lightning is a threat, or in severe electrical environments, an optional connection to a nearby equipment ground or ground rod may be advisable.

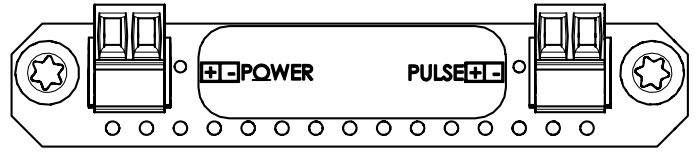
**Grounding Ring Part Numbers:**

- 4" = 100876    10" = 100879
- 6" = 100877    12" = 103288
- 8" = 100878

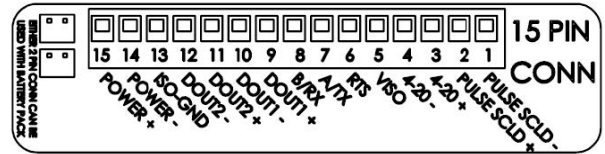
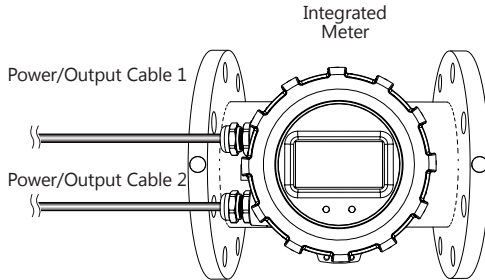


**General Cable Information**

In the iMAG 4700 meter, there are a maximum of two Power/Output cables that can be installed. These cables contain the wires for DC power and for any output (scaled pulse, 4-20mA, Modbus®, HART, and high speed digital). (See Sample Cable Wiring Diagrams and Cable Wiring Table.) It is up to the user to decide how to best organize the wiring for the application.

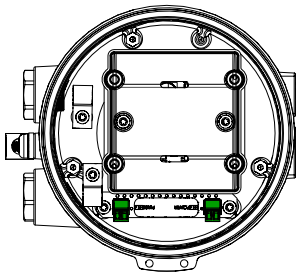


Two 2-pin Connectors for iMAG 4700 Battery Version

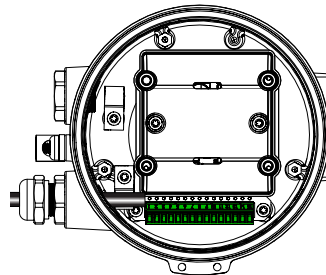


15 Pin Connector for iMAG 4700 DC Versions

The iMAG 4700 is available in either Battery or external DC versions.



Battery version with two 2-pin connectors

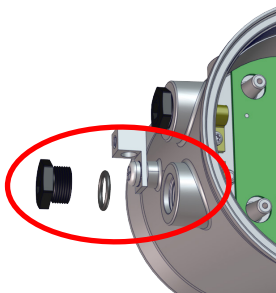


DC version with a 15-pin connector. (Your meter may have one or two cable glands, depending on configuration.)

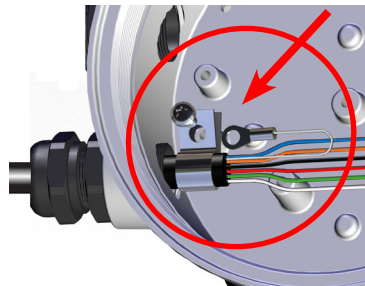
**Cable Gland Opening and Sealing**



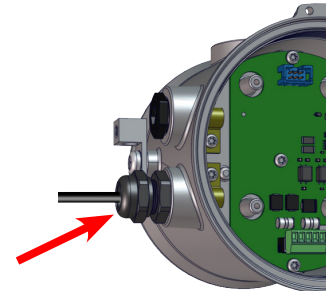
**WARNING:** Improper sealing of glands or cables will invalidate any warranty.



Remove plug & o-ring. Insert cable gland/strain relief. Feed cable through cable gland.



Clamp cable with strain relief clips. Attach drain wire lug to bracket post.

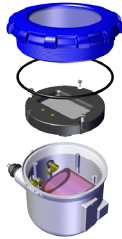


**CRITICAL!** Torque cable gland sealing nut to 22 in-lbs.

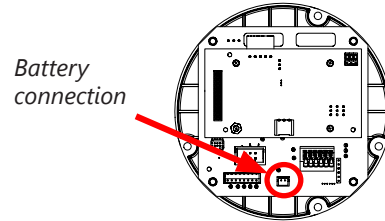
**Cable Installation**

**DC Version or Battery Only Version with external pulse output.**

1. Unscrew the display lid and remove it.
2. Remove the 3 screws holding the display assembly and remove it from the meter exposing the internal connectors. Be sure to **NOT** undo any connections to the display assembly as you remove it.
3. The DC version comes with a 15 pin screw connector. Remove this from its bag. (On the battery version, there are two 2-pin connectors already installed.)
4. Remove the plug and o-ring from the cable port(s) where you want to insert the cable(s).
5. Install cable gland(s) and insert cable end(s).
6. Strip cable jacket and conductors and install the wires into the connectors in their respective locations for your options, Modbus®, pulse, HART, etc. (See Cable Wiring Table for details.)
7. If using the 15 pin screw connector, plug it into its socket. **Be sure all pins align properly and that the connector has not slipped to one side.**

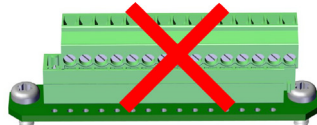


8. **Plug the backup battery cable into the circuit board, as shown.** (DC Version only - Battery version has battery already connected.)

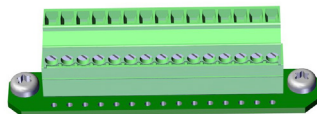


9. Secure the cables inside the internal strain relief clip and tighten the cable gland sealing nut securely. (torque nut to 22 in-lbs.). A loose nut could cause moisture ingress and compromise the meter head's IP68 rating, voiding the warranty.
10. Remount the display assembly, being careful to not pinch any wires, and install the display assembly screws.
11. Reinstall the display lid, being sure to avoid cross-threading the lid.

*Improper alignment*



*Proper alignment*

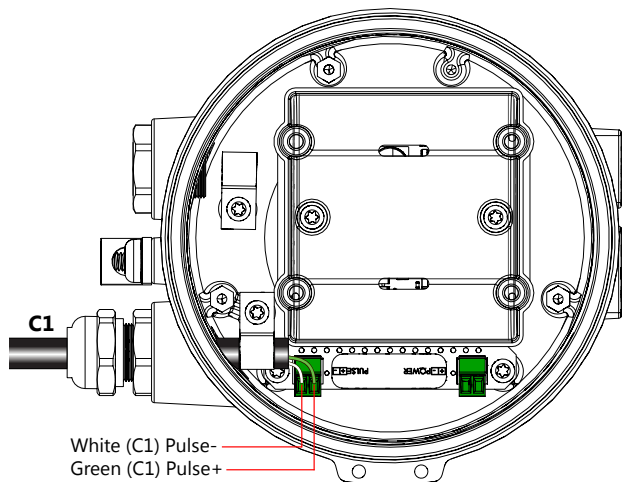


**Battery Only Version with no external pulse output**

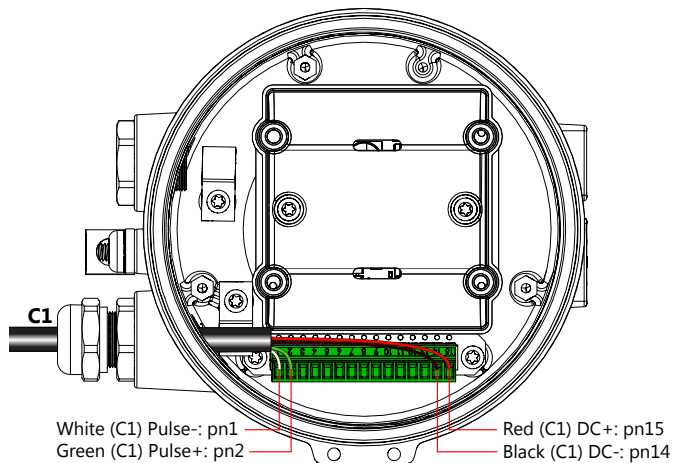
No wiring is needed.

**Wiring Diagrams**

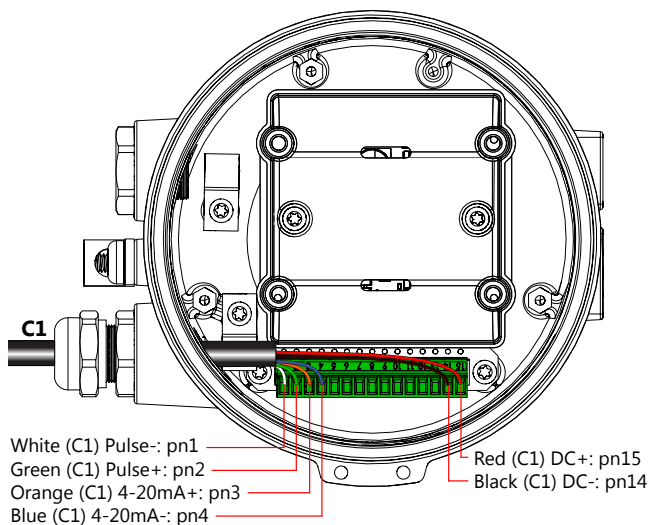
Unscrew the display lid and remove it. Remove the 3 screws holding the display assembly and remove it from the meter. Remove the 15 pin screw connector from its bag. Install the wires through the cable glands into the 15 pin screw connector in their respective locations. Plug the 15 pin screw connector into its socket. (C1 = power/output cable, C2 = power/output cable 2)



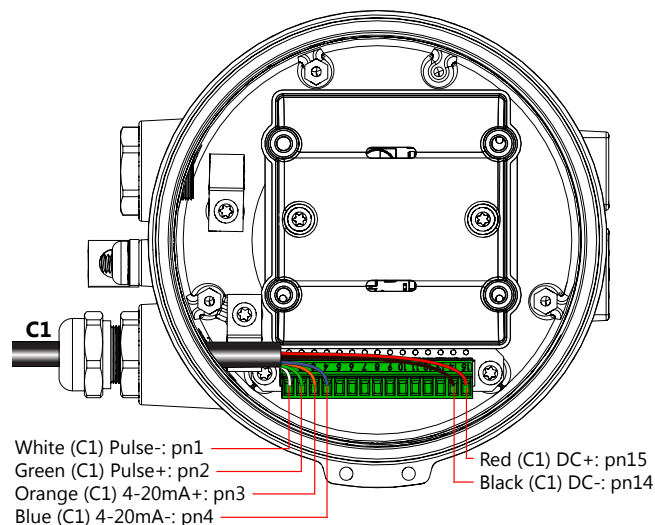
**Battery Power with Pulse (BXX)**



**DC Power with Pulse (D1X/D2X)**



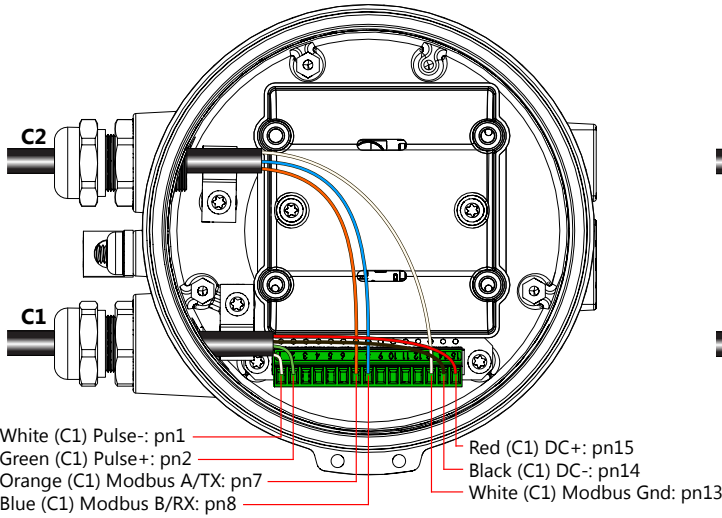
**DC Power with Pulse and 4-20mA (D1L/D2L)**



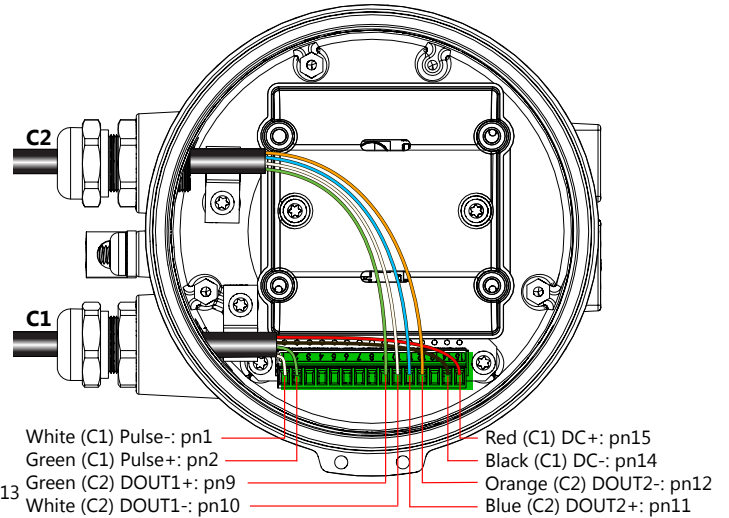
**DC Power with Pulse and HART/4-20mA (D1H/D2H)**

**Wiring Diagrams (continued)**

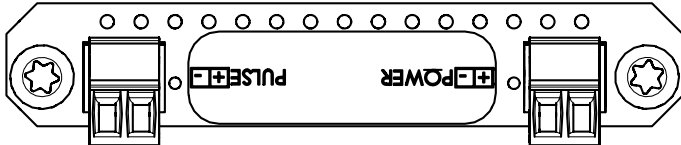
Unscrew the display lid and remove it. Remove the 3 screws holding the display assembly and remove it from the meter. Remove the 15 pin screw connector from its bag. Install the wires through the cable glands into the 15 pin screw connector in their respective locations. Plug the 15 pin screw connector into its socket. (C1 = power/output cable, C2 = power/output cable 2)



**DC Power with Pulse and Modbus® (D1S/D2S)**

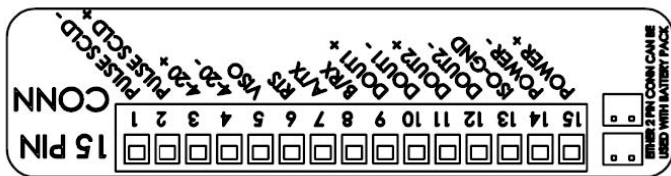


**DC Power with Pulse and Digital (D1G/D2G)**

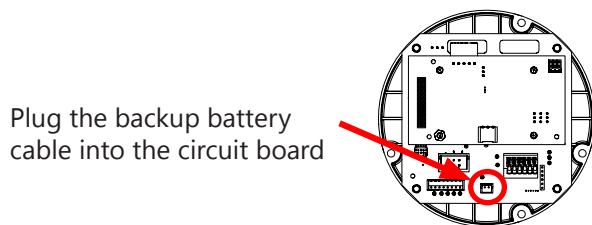


**Two 2-pin Connectors for iMAG 4700 Battery Version**

*Note that when viewing the connectors from the front of the meter, the labels will be upside down, as shown here, with numbering going from left to right.*



**15 Pin Connector for iMAG 4700 DC Versions**



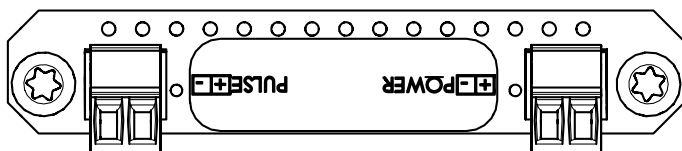
**Cable Wiring Table**

| PIN     | 15     | 14       | 13       | 12      | 11      | 10       | 9        | 8       | 7       | 6   | 5    | 4       | 3       | 2           | 1           |
|---------|--------|----------|----------|---------|---------|----------|----------|---------|---------|-----|------|---------|---------|-------------|-------------|
| O ID    | PWR+   | PWR-     | ISO-GND  | DOUT 2- | DOUT 2+ | DOUT 1-  | DOUT 1+  | B/RX    | A/TX    | RTS | VISO | 4-20 -  | 4-20 +  | PULSE SCLD+ | PULSE SCLD- |
| BXX     |        |          |          |         |         |          |          |         |         |     |      |         |         | GREEN C1    | WHITE C1    |
| D1X/D2X | RED C1 | BLACK C1 |          |         |         |          |          |         |         |     |      |         |         | GREEN C1    | WHITE C1    |
| D1L/D2L | RED C1 | BLACK C1 |          |         |         |          |          |         |         |     |      | BLUE C1 | ORNG C1 | GREEN C1    | WHITE C1    |
| D1H/D2H | RED C1 | BLACK C1 |          |         |         |          |          |         |         |     |      | BLUE C1 | ORNG C1 | GREEN C1    | WHITE C1    |
| D1S/D2S | RED C1 | BLACK C1 | WHITE C2 |         |         |          |          | BLUE C2 | ORNG C2 |     |      |         |         | GREEN C1    | WHITE C1    |
| D1G/D2G | RED C1 | BLACK C1 |          | ORNG C2 | BLUE C2 | WHITE C2 | GREEN C2 |         |         |     |      |         |         | GREEN C1    | WHITE C1    |

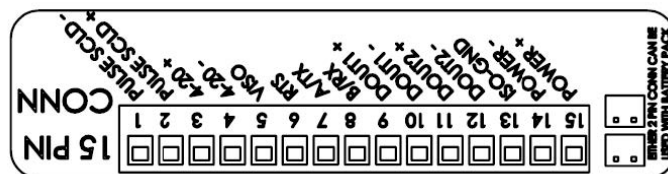
**(C1 = power/output cable 1 C2 = power/output cable 2)**

**Option IDs**

- O ID**            **POWER SOURCE / OUTPUT(S)**
- BXX**            = BATTERY POWER / PULSE SCALED
- D1X/D2X**       = DC POWER / PULSE SCALED
- D1L/D2L**       = DC POWER / PULSE SCALED AND 4-20mA
- D1H/D2H**       = DC POWER / PULSE SCALED AND HART/4-20mA
- D1S/D2S**       = DC POWER / PULSE SCALED AND MODBUS®
- D1G/D2G**       = DC POWER / PULSE SCALED AND DIGITAL



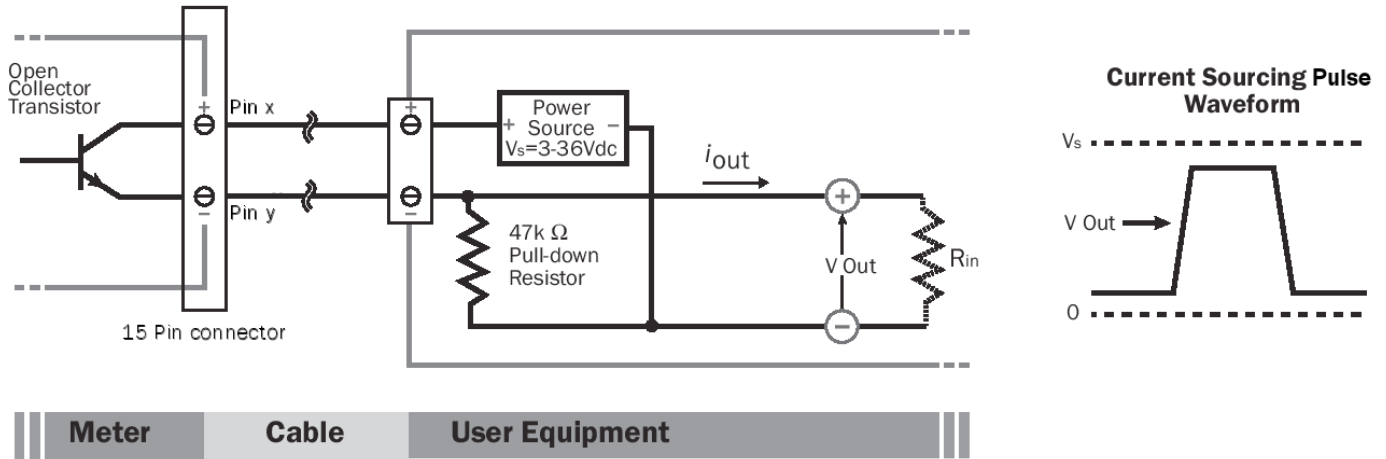
**Two 2-pin Connectors for iMAG 4700 Battery Version**



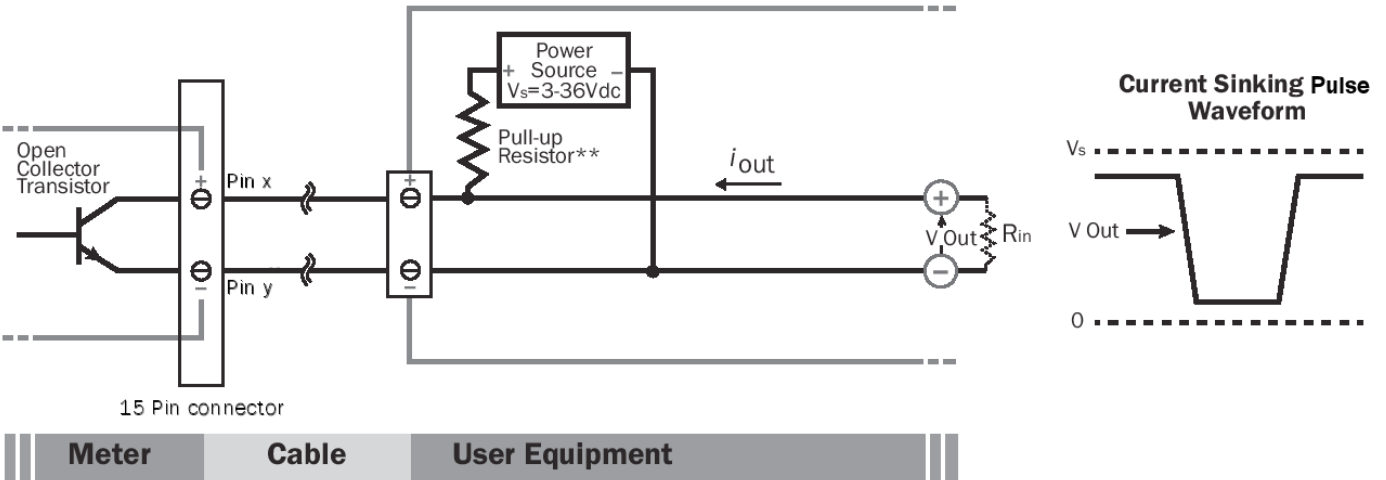
**15 Pin Connector for iMAG 4700 DC Versions**

*Note that when viewing the connectors from the front of the meter, the labels will be upside down, as shown above, with numbering going from left to right.*

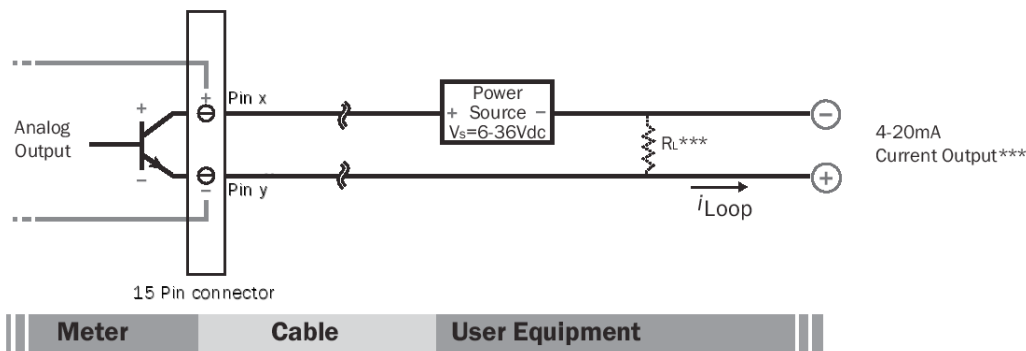
**Pulse or Digital Output Application - Sourcing Mode (Recommended for  $R_{in} < 30k\Omega$ )**



**Pulse or Digital Output Application - Sinking Mode (Recommended for  $R_{in} > 30k\Omega$ )**



**Analog (4-20mA Current Loop) Output Application**



\*\* Minimum resistor value is  $(100 \times V_s)$  ohms. Higher resistances maybe used depending on frequency and cable length. Longer cables and high frequencies require lower resistance.

\*\*\* Resistor  $R_L$  converts 4-20mA current to voltage for voltage input only devices.



**Cable Shield.** In general, the cable shield and its bare drain wire should be left unconnected at the user equipment end of the cable to minimize "ground loop" problems.

**Pulse Output Configuration.** A pulse output is standard on all models. Since this is an isolated output, the external equipment must include a DC power source to regenerate the pulse from the open-collector output (transistor equivalent of a contact closure). A pull-up or pull-down resistor may be needed if not included in the user equipment as shown in the diagrams. Both the power source and resistor may be supplied internally in some types of control and monitoring devices. If not, as for most PLC discrete input modules, they must be added externally at the module input terminals. The pulse output rate in volume units/pulse can be set by the user via the SETP tab on the meter's setup menus.

Because the pulse output of an iMAG 4700 meter is set by the user, care must be taken to assure the output pulses do not exceed the maximum frequency of the meter while also ensuring a reasonable resolution.

K-factor: Remember that SETP is expressed in units totaled per output pulse (G/P if using gallons) while K-factors are expressed in pulses per gallon (P/G.) To determine K-factor from SETP, divide 1 by SETP (if SETP is expressed in gallons.) Conversely, 1 divided by the K-factor equals SETP

iMAG 4700 meters that were initially configured as battery powered units have a maximum output frequency of 150 Hz. Those that were initially configured as powered units have a maximum output frequency of 200 Hz.

Because all pulse outputs (SETP) are configured in (rate) units totaled per pulse, all sizes of meters can be configured with the same SETP values

For example, if your rate is chosen as gallons per minute (GPM) the table below applies. If your rate is different, simply use your rate label in place of (GPM.) The numerical values will remain the same.

| SETP | Flow Rate at 1 Hz (GPM) | Flow Rate at 200 Hz (GPM)<br><i>Powered Meters</i> | Flow Rate at 150 Hz (GPM)<br><i>Battery Powered Meters</i> |
|------|-------------------------|--|--|
| 0.1  | 6                       | 1200   | 900  |
| 0.2  | 12                      | 2400   | 1800   |
| 0.3  | 18                      | 3600   | 2700   |
| 0.4  | 24                      | 4800   | 3600   |
| 0.5  | 30                      | 6000   | 4500   |
| 0.6  | 36                      | 7200   | 5400   |
| 0.7  | 42                      | 8400   | 6300   |
| 0.8  | 48                      | 9600   | 7200   |
| 0.9  | 54                      | 10800  | 8100   |
| 1.0  | 60                      | 12000  | 9000   |

*Lower frequency output pulses (1 pulse for some particular number of gallons) can also be set.*

Any output frequency can be determined by:

$$\text{Rate (units/minute)} \div \text{SETP (units/pulse)} = \text{pulse/minute}$$

$$\text{Hz} = \text{pulse/minute} \div 60 \text{ seconds / minutes}$$

**For reference/comparison only**

K-factors and the equivalent SETP values for old style WMX units are shown below.

| WMX      | 4"    | 6"   | 8"   | 10"  | 12"  |
|----------|-------|------|------|------|------|
| K-Factor | 16.36 | 6.31 | 3.34 | 2.15 | 1.53 |
| SETP     | 0.06* | 0.16 | 0.30 | 0.47 | 0.65 |

*\*Note that on the iMAG 4700 you would need to choose a SETP value of 0.1 for the 4".*

**Analog Output (4-20mA) Configuration.** *(Not available on battery only units.)* Since the meter’s analog output is isolated and passive, loop power must be supplied externally as shown previously. (In addition, an external resistor  $R_L$  will be needed to convert the loop current to voltage for voltage-only input devices.) The meter’s loop transmitter minimum voltage drop is 6Vdc (8Vdc with HART) which, with wiring resistance and loop power supply voltage, will determine the maximum resistance for  $R_L$ . The flow rates corresponding to 4 and 20mA can be set by the user via the SET 4 and SET20 tabs on the meter’s setup menus.

**HART Configuration.** *(Not available on battery only units.)* The HART protocol, rev.7.5, allows for a Polling address between 0 and 63. The default value in the iMAG is 0. To change the Polling address, use iMAG menu HPOLL to set the Polling address.

To get to this menu, move to the EXIT tab and tap the left button 4 times. This will bring up the SUBMENU page. Navigate to the HPOLL tab. Use the left button to select the Polling address.



To enter SUBMENU



To select address

(See Changing Flow Meter Settings later in these instructions for details in using the menu system.)

A minimum of 250 ohms of loop resistance must be present in order for the HART modem to correctly and reliably demodulate FSK voltage. With this in mind, the maximum loop resistance\* for the iMAG HART interface cannot be exceeded in order to assure correct operation.

The iMAG HART interface is HART compatible. All the commands have been implemented in accordance with the HART Protocol Specification published by HART Foundation. A HART Communicator can be used with the iMAG, even in the absence of DD files, by taking advantage of the Generic Online Menu capability of a Communicator. This means that a generic menu is automatically available when DD files are not present.

The following information from the iMAG HART can be displayed on the Communicator using the generic menu:

|                        |  |
|------------------------|--|
| <b>PV</b>              | Flowrate in units selected for iMAG                |
| <b>PV Loop Current</b> | Loop current in mA                                 |
| <b>PV LRV</b>          | Lower range value of PV in units selected for iMAG |
| <b>PV URV</b>          | Upper range of PV in units selected for iMAG       |

\*4-20 mA loop has maximum loop resistance of 650ohms and requires a 24Vdc power supply.

**Modbus® Serial Communication Configuration (factory configured).** *(Not available on battery only units.)* These connections provide a half-duplex, isolated, RS485 serial communications port using the Modbus messaging protocol. The port is reconfigurable by internal jumper settings to full-duplex RS232 or 3.3V CMOS. The TXD connection is the transmitted data output from the meter and RXD is the received data input to the meter. See Seametric’s Modbus Interface Description, LT-103393 (available at [www.seametrics.com](http://www.seametrics.com)) for supported Modbus message protocol and electrical interface specifications.

**Digital Output Configuration.** *(Not available on battery only units.)* These outputs are electrically similar to the Pulse Output described above except they are capable of output frequencies up to 10kHz. The frequency output scaling can be set by the user via the SETF tab on the meter’s setup menus. Selections are: 500Hz and 1, 2, 5 and 10 KHz at maximum flow rate.

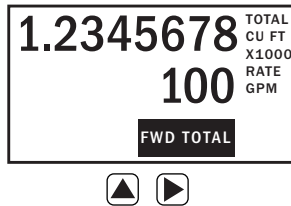
**K-Factors for High Speed Digital Output (High Frequency)**

| Size | SETF (Hz) |       |       |       |       |
|------|-----------|-------|-------|-------|-------|
|      | 500       | 1K    | 2K    | 5K    | 10K   |
| 4"   | 23.35     | 46.69 | 93.39 | 233.5 | 466.9 |
| 6"   | 10.38     | 20.75 | 41.51 | 103.8 | 207.5 |
| 8"   | 5.837     | 11.67 | 23.35 | 58.37 | 116.7 |
| 10"  | 3.736     | 7.471 | 14.94 | 37.36 | 74.71 |
| 12"  | 2.594     | 5.188 | 10.38 | 25.94 | 51.88 |

### Changing Flow Meter Settings

#### Home Screen and General Navigation

The HOME Screen displays flow volume, direction of the flow total and flow RATE along with status conditions such as Empty Pipe. Two buttons below the LCD display are used to access menu screens for viewing and changing meter setup parameters.



These two buttons are light sensors which can detect when a finger is covering them. Only three button touch actions are needed to control navigation through the menus, settings changes and back to the home screen.

**HORIZONTAL SCROLLING:**

Tap right button to scroll horizontally through menu tabs or move horizontally within a tab dialog when applicable.



**SELECT:**

Tap left button to change a highlighted item within a tab dialog.



**ENTER/EXIT:**

Hold left button while tapping right button once to enter or exit a tab dialog or to navigate between the HOME and other menu screens.

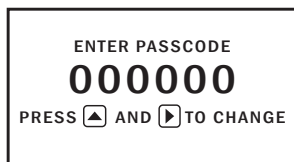


#### Changing Total Direction/Resetting Totalizers

On the Main screen, tap to select the direction of the total display. To reset BATCH FWD or BATCH REV, select with and then tap four times.

#### Entering Menu System

To enter the Menu System perform the hold and tap sequence. The Passcode entry screen will display. The default passcode is 000000. If a different passcode has previously been set, use the and to enter that passcode. In either case, hold and tap again to move into the menu system. (If you enter the wrong passcode, hold and tap again to return to the previous screen. See page 21 for information on how to change a passcode.)



#### Making Selections

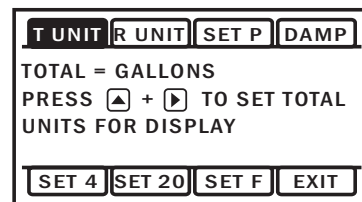
Once in the Menu System, move from tab to tab by tapping the right button. (See the next page for details on the various available tabs.)



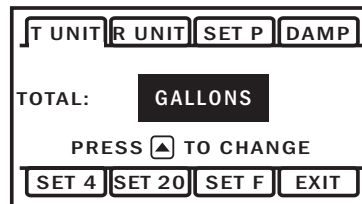
**Select the parameter.** In the screen for the highlighted tab you will see the current parameter value for that tab. Tapping the right button, move to the tab for the parameter you want to change.



In this example, the first line indicates that the current unit for the TOTAL is GALLONS. The next two lines tell you what to do next.



If you would like to change the TOTAL units, just perform the hold and tap sequence to bring up a screen to change the setting.



**Select a new setting.** Select the new setting by scrolling through a list of selections as in the screen illustration below by tapping the left button to find a different TOTAL unit.



**Accept changes.** To accept any changes you have made, perform the hold and tap sequence.



**When finished making changes.** When you are finished making changes, move to the EXIT tab using the right button.



To return to the HOME screen, perform the hold and tap sequence.

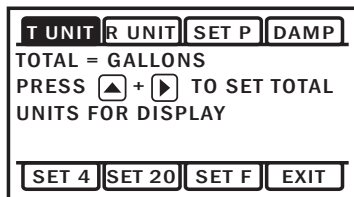


**Standard Menu Options**

Note: Available options will depend on specific meter configuration. Not all options are available on all meters. **Options not ordered with your meter will not appear on the meter menu.**

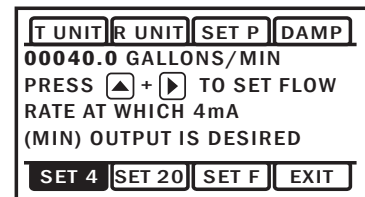
**T UNIT**

View or change TOTAL volume units



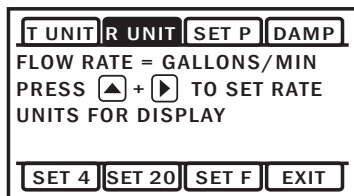
**SET 4**

View or change flow rate corresponding to 4mA. *(Externally powered units only)*



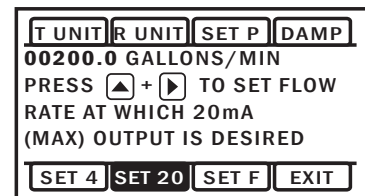
**R UNIT**

View or change flow RATE units



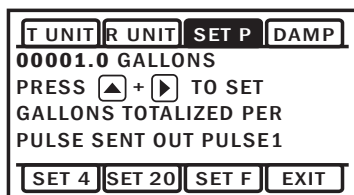
**SET 20**

View or change flow rate corresponding to 20mA. *(Externally powered units only)*



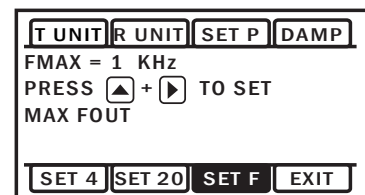
**SET P**

View or change pulse output scaling



**SET F**

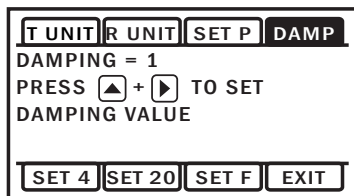
View or change high frequency output scaling. *(Externally powered units only)*



**DAMP**

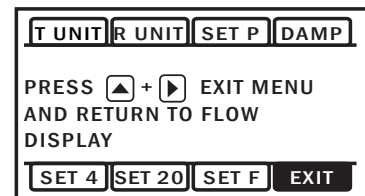
View or change # of seconds for rolling average.\*

*(0=1 second, 1=2 seconds, etc.)*



**EXIT**

Return to HOME SCREEN or enter SUBMENU



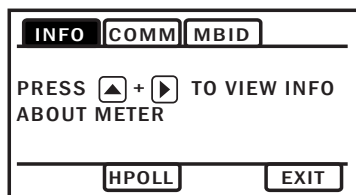
\* See DAMP Settings for Battery Units on 23.

**Special SUBMENU for Further Options**

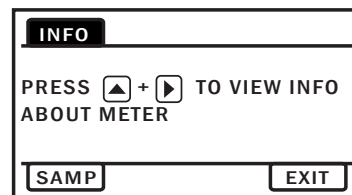
The EXIT tab in the MAIN MENU has a second function. If, instead of using the hold and tap sequence to return to the HOME screen, you tap ▲ five times, you will be redirected to a SUBMENU screen from which you can access several more options.

Navigation in this SUBMENU is the same as for the MAIN MENU. Whenever you wish, go to the EXIT tab in the SUBMENU and perform the hold and tap sequence to return to the MAIN MENU.

- INFO: Meter model number, serial number, and firmware version.
- COMM: Modbus® baud rate and parity. *(Not available on battery only units.)*
- MBID: Modbus® address *(Not available on battery only units.)*
- SAMP: Sample rate *(Battery powered version only.)*
- HPOLL: HART Address *(Not available on battery only units.)*
- EXIT: Return to MAIN MENU.



Sub-Menu



Sub-Menu - Battery Only Version

**To Change a Passcode**

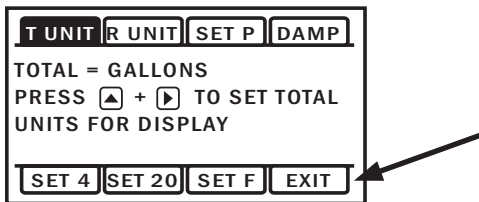
The iMAG has a passcode system for restricting access to the menus. The iMAG comes from the factory with the passcode set to 000000. When a user attempts to enter the menu system (see details on page 19), the passcode entry screen will be displayed.



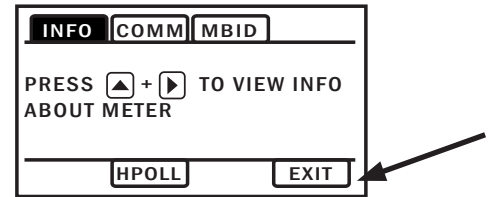
The default passcode is 000000. If a different passcode has previously been set, then the user must enter that passcode at this time. After entering the passcode, or leaving it at 000000 if using the default passcode, the user does the tap and hold sequence to move into the menu system.

**To change the passcode**, you must use the Set Passcode screen. Access the Set Passcode screen as follows:

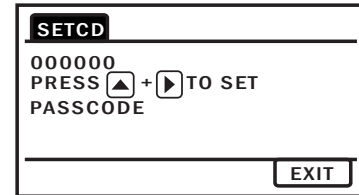
- Enter the main menu system, as described above.



- On the main menu, tab over to the EXIT tab and tap the up arrow five times. A SUBMENU screen will display.



- On the SUBMENU screen tab over to the EXIT tab and tap the up arrow five times. The Set Passcode screen will display.



- To set the code, hold and tap and then use the [up arrow] and [right arrow] to enter the new code.
- Hold and tap again to return to the Set Passcode screen.
- Tab to EXIT, and then hold and tap to return to the SUBMENU.

**Power Indicators**

A power indicator is displayed in the lower left of the main display window.

When powered by external DC or internal AC, a power plug will display.

When powered by battery (or if external DC or internal AC power fails) a battery icon will display.

**OK** on the battery indicator means battery voltage is above 6.4 volts.

**LO** on the battery indicator means the battery is low and should be replaced soon.



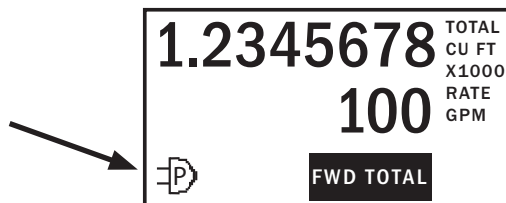
*Being powered by external DC or internal AC*



*Being powered by battery - voltage is sufficient*



*Being powered by battery - voltage is low*



## Battery Powered Units

The iMAG 4700 meter can come configured with two replaceable 3.6V lithium 'D' batteries. In this configuration, the only option/output is the scaled pulse output which comes standard. The scaled output for the battery powered option has a maximum pulse rate of 150 pulses/second, with a fixed pulse width of 2.5ms. Be sure to set your P value such that the meter will function properly over the flow range in your application. The sample rate of the meter is user selectable through the SAMP tab in the meter's sub-menu. Sample periods of 1/5, 1/3, 1, 3, 5, 15, 30, and 60 seconds can be selected. (A sample period of 5 seconds—5 year battery life—is the default.)

Larger sample periods will yield longer battery life but slower response time. Care must be taken to select a sample period that is suitable for your application. See the table to the right for the expected battery life as a function of sample period.

### DAMP Settings for Battery Units

If SAMP (sample period) is set to less than one second, the DAMP value represents the number of seconds (plus one) used in the rolling average for the display. For example, if DAMP is set to four, then when the meter begins to show a flow rate, the rate displayed is the average of all the readings taken in seconds one through five (4 plus 1).

If SAMP (sample period) is set to one second or longer, the DAMP value represents the number of sample periods (plus one) used in the rolling average for the display. For example, if SAMP is set at three seconds and DAMP is set to four, then when the meter begins to show a flow rate, the rate displayed is the average of samples one through five (4 plus 1). Note that depending on the settings selected, it may take up to a minute for the displayed rate to take full advantage of the DAMP filter. When starting with an EMPTY PIPE it may take at least 30 seconds to register any flow.

### Battery Life/Sample Period

| Sensor sample period(s)<br>(Seconds) | Expected battery life* |
|--------------------------------------|------------------------|
| 1/5 (0.2)                            | 1 year                 |
| 1/3 (0.33)                           | 1.5 years              |
| 1                                    | 2.5 years              |
| 3                                    | 4 years                |
| 5                                    | 5 years                |
| 15                                   | 5.5 years              |
| 30                                   | 6 years                |
| 60                                   | 6.5 years              |

*\*Based on 75% battery capacity at room temperature with no option cards installed.*

*NOTE: If a large percentage of the meter's life will be spent below 0.5 meters/second and above cutoff, battery life will be reduced.*

### Troubleshooting

| Problem   | Probable Causes  | Things to try...   |
|---|--|--|
| Blank Display   | Faulty wiring from power source to meter<br><br>Battery has not been plugged in<br>Dead battery  | Check for incorrect wiring. Measure voltage with DMM where red and black wires connect to terminal block TB2 inside meter display head. Verify correct polarity and confirm that voltage is steady and between 9Vdc and 32Vdc<br><br>Plug in the battery<br>Replace battery  |
| Flow rate reading fluctuates excessively when flow is unchanging                | Excessively turbulent or unsteady flow due to partially closed valves or other flow obstructions<br><br>Pipe not full<br><br>Pulsing flow due to combining multiple upstream flow sources<br><br>Insufficient mixing of upstream chemicals<br><br>Low fluid conductivity < 20 $\mu$ S/cm<br><br>Noisy electrical environment<br><br>Defective or noisy AC switching power supply | Eliminate or minimize causes of flow disturbances or increase meter damping<br><br>Provide back pressure or other means to ensure pipe is filled<br><br>Move connection point further upstream<br><br>Move chemical injection downstream from meter<br><br>Replace with different type of meter<br><br>Improve grounding at meter and nearby potentially noisy electrical equipment. Increase distance between meter and electrical noise sources.<br><br>Replace power supply |
| Flow Rate appears correct but pulse/ frequency output is low, erratic or absent | Wiring incorrect<br><br>External device input impedance too low<br><br>Cable too long  | Compare wiring with appropriate wiring recommendations<br><br>Use sourcing rather than sinking interface connection<br><br>Reduce interface pull-up resistance   |
| Flow Rate appears correct but pulse/frequency output is erratic and/or too high | Electrical noise sources interfering with pulse frequency signal<br><br>Wrong type of cable<br><br>Grounding problem   | Isolate, remove or reduce noise sources. Move meter control cable away from noise sources.<br><br>Use only twisted pair cable and ensure both signal wires are on same twisted pair<br><br>Improve or try different grounding method   |

### Error Messages

Under certain conditions an error message may be displayed.

| Message            | Description   | Notes                          |
|--------------------|---|--------------------------------|
| INIT               | Initialization is occurring during power up.                                    |                                |
| EMPTY PIPE         | Fluid is not detected between the sensing electrodes.                           | Loop output = 22.8mA           |
| LO in battery icon | Battery is getting low, replace soon. Meter still functions.                    | Above 6.4V, OK appears in icon |
| BATT END           | Battery is very low (approx. 6.1V). Totalizer stops updating.                   | Loop output = 4mA              |
| LOW VOLT           | Incoming external power is very low and backup battery is dead or not connected | Loop output = 4mA              |
| COIL FAIL          | Coil current too high or too low (short or open).                               | Loop output = 22.8mA           |
| COMM FAIL          | Communication between transmitter and sensor board fails.                       | Loop output = 22.8mA           |
| OVER RANGE         | Rate exceeds number of digits that can be displayed. Adjust units.              | Loop output = 4mA              |

The limited warranty set forth below is given by Seametrics, with respect to Seametrics and INW brand products purchased in the United States of America.

Seametrics warrants that products manufactured by Seametrics, when delivered to you in new condition in their original containers and properly installed, shall be free from defects in material and workmanship. **Seametrics products are warranted against defects for a period of two (2) years from date of installation, with proof of install date. If no proof of install date can be provided, warranty period will be two (2) years from date of shipment from Seametrics, as defined on Seametrics' invoice.**

Seametrics' obligation under this warranty shall be limited to replacing or repairing the part or parts, or, at Seametrics' option, the products, which prove defective in material or workmanship. The following are the terms of Seametrics' limited warranty:

- a. Buyer must give Seametrics prompt notice of any defect or failure and satisfactory proof thereof.
- b. Any defective part or parts must be returned to Seametrics' factory or to an authorized service center for inspection.
- c. Buyer will prepay all freight charges to return any products to Seametrics' factory, or another repair facility, as designated by Seametrics.
- d. Defective products, or parts thereof, which are returned to Seametrics and proved to be defective upon inspection, will be repaired to factory specifications.
- e. Seametrics will deliver repaired products or replacements for defective products to the buyer (ground freight prepaid) to the destination provided in the original order.
- f. Products returned to Seametrics for which Seametrics provides replacement under this warranty shall become the property of Seametrics.
- g. This limited warranty covers all defects encountered in normal use of Seametrics products, and does not apply to the following cases:
  - i. Loss of or damage to Seametrics product due to abuse, mishandling, or improper packaging by buyer
  - ii. Failure to follow operating, maintenance, or environmental instructions prescribed in Seametrics' instruction manual
  - iii. Products not used for their intended purpose
  - iv. Alterations to the product, purposeful or accidental
  - v. Electrical current fluctuations
  - vi. Corrosion due to aggressive materials not approved for your specific product
  - vii. Mishandling, or misapplication of Seametrics products
  - viii. Products or parts that are typically consumed during normal operation
  - ix. Use of parts or supplies (other than those sold by Seametrics) which cause damage to the products, or cause abnormally frequent service calls or service problems
- h. A new warranty period shall not be established for repaired or replaced material, products, or supplies. Such items shall remain under warranty only for the remainder of the warranty period on the original materials, products, or supplies.
- i. In the event that equipment is altered or repaired by the buyer without prior written approval by Seametrics, all warranties are void. Damage caused by equipment or accessories not manufactured by Seametrics may void the product's warranty.
- j. SOFTWARE: The Seller grants the user a non-exclusive license to use Seametrics' software, according to the following limitations and conditions:
  - i. The user may install the software on one or more desktop or laptop computers.
  - ii. All title and intellectual rights to the software are owned by Seametrics.
  - iii. No copies may be made or distributed except as described above.
  - iv. The user may not modify or reverse-engineer the software.

THE FOREGOING WARRANTY IS IN LIEU OF ALL OTHER WARRANTIES, WHETHER ORAL, WRITTEN, EXPRESSED, IMPLIED OR STATUTORY. NO IMPLIED WARRANTY, INCLUDING ANY IMPLIED WARRANTY OF MERCHANTABILITY OR FITNESS FOR A PARTICULAR PURPOSE, APPLIED TO THE PRODUCTS AFTER THE APPLICABLE PERIOD OF THE EXPRESS LIMITED WARRANTY STATED ABOVE, AND NO OTHER EXPRESS WARRANTY OR GUARANTY, EXCEPT AS MENTIONED ABOVE, GIVEN BY ANY PERSON OR ENTITY WITH RESPECT TO THE PRODUCTS, SHALL BIND SEAMETRICS. SEAMETRICS SHALL NOT BE LIABLE FOR LOSS OF REVENUES, OR PROFITS, OR INCONVENIENCES, EXPENSE FOR SUBSTITUTE EQUIPMENT OR SERVICE, STORAGE CHARGES, LOSS OF DATA, OR ANY OTHER SPECIAL, INCIDENTAL, OR CONSEQUENTIAL DAMAGE CAUSED BY THE USE OR MISUSE OF, OR INABILITY TO USE THE PRODUCTS, REGARDLESS OF THE LEGAL THEORY ON WHICH THE CLAIM IS BASED, AND EVEN IF SEAMETRICS HAS BEEN ADVISED OF THE POSSIBILITY OF SUCH DAMAGES. IN NO EVENT SHALL RECOVERY OF ANY KIND AGAINST SEAMETRICS BE GREATER IN AMOUNT THAN THE PURCHASE PRICE OF THE PRODUCT SOLD BY SEAMETRICS AND CAUSING THE ALLEGED DAMAGE. WITHOUT LIMITING THE FOREGOING, YOU ASSUME ALL RISK OF LIABILITY FOR LOSS, DAMAGE, OR INJURY TO YOU AND YOUR PROPERTY AND TO OTHERS AND THEIR PROPERTY ARISING OUT OF USE OR MISUSE OF, OR INABILITY TO USE THE PRODUCTS NOT CAUSED DIRECTLY BY THE NEGLIGENCE OF SEAMETRICS.

SOME STATES DO NOT ALLOW LIMITATIONS ON THE DURATION OF AN IMPLIED WARRANTY, SO THE ABOVE LIMITATIONS MAY NOT APPLY TO YOU. SIMILARLY, SOME STATES DO NOT ALLOW THE EXCLUSION OR LIMITATIONS OF CONSEQUENTIAL DAMAGE, SO THE ABOVE LIMITATION OR EXCLUSION MAY NOT APPLY TO YOU. THIS LIMITED WARRANTY GIVES YOU SPECIFIC LEGAL RIGHTS; HOWEVER, YOU MAY ALSO HAVE OTHER RIGHTS WHICH MAY VARY FROM STATE TO STATE.

