

Wafer Series Precision Turbine Flowmeters



Features

- High accuracy
- Attitude insensitive
- Cost and space efficient
- AC sine wave signal
- Fits between flanges
- 300 Series stainless steel (standard)

General Information

Sponsler's Wafer Series turbine flowmeters offer an inexpensive, quick-installation alternative to flanged turbine meters. Sponsler's wafer flowmeters fit easily between two existing flanges while retaining the same accuracies and flowrates of a flanged turbine flowmeter. Alignment rings are available to align the meter body with flange faces. Wafer flowmeters available in eight overlapping ranges, covering flowrates between 1.5 and 1,250 US GPM. Sponsler Wafer Series flowmeters interface seamlessly with the full range of Sponsler electronic delivery systems, registers, and flow computers

Specifications

Sizes

- ½ to 4" (1.9 to 10.2cm)

Flowrates

- 1.25 to 1,250GPM
(4.73 to 4,732LPM)

Temperature Range

- -430° to 450° F (-256.7° to 232.2° C)
- +1000° F (+537.8° C) *optional*

Accuracy

- ± 0.5% Linear

Repeatability

- ± 0.1%

Standard Endfittings

- Fits between two existing flanges—
*alignment rings and companion flanges
are available*

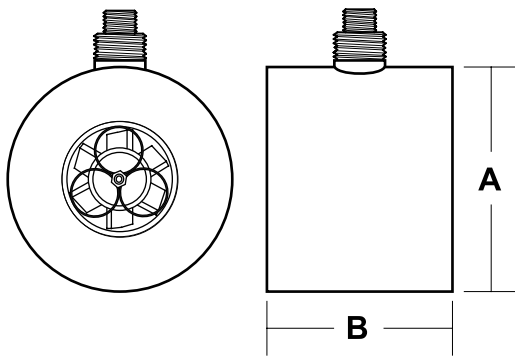
Standard Material

- 300 Series stainless steel

Flow Ranges

Meter Size Inches (mm)	Liquid Flow Ranges U.S. Gallons (Liters) Per Minute				Gas Flow Ranges Magnetic Pickup ACFM (Cubic Meters)	
	Minimum Repeatable	Nominal Minimum Linear	Nominal Maximum Linear	Extended Maximum	Minimum Linear	Maximum Linear
½" (1.3)	0.6 (2)	1 (4)	10 (38)	12 (45)	1 (0.03)	10 (0.28)
¾" (1.7)	1.75 (7)	2.5 (10)	29 (110)	35 (133)	2.5 (0.07)	29 (0.82)
1" (2.5)	3 (11)	4 (15)	60 (227)	75 (284)	4.0 (0.113)	60 (1.70)
1½" (3.8)	6 (23)	8 (30)	130 (492)	175 (662)	8.0 (0.227)	130 (3.68)
2" (5.1)	12 (45)	15 (57)	225 (851)	275 (1041)	15 (0.425)	225 (6.37)
2½" (6.4)	15 (57)	25 (95)	400 (1514)	500 (1893)	25 (0.708)	400 (11.33)
3" (7.6)	30 (114)	40 (151)	650 (2460)	800 (3028)	40 (1.133)	650 (18.41)
4" (10.1)	50 (189)	75 (284)	1250 (4732)	1500 (5678)	75 (2.124)	1250 (35.40)

Sizing Chart



Meter Size Inches (cm)	Dimensions	
	A	B
¾" (1.7)	1.687	2.500
1" (2.5)	2.000	2.500
1½" (3.8)	2.500	2.500
2" (5.1)	3.625	3.250
2½" (6.4)	4.125	3.500
3" (7.6)	5.000	3.500
4" (10.1)	6.187	3.250

Model Selection Guide

