



A PRODUCT SHEET OF NEPTUNE TECHNOLOGY GROUP

T-10[®] METER

SIZES: 1 ½" and 2"



Construction

Every Neptune[®] T-10[®] water meter meets or exceeds the latest AWWA C700 Standard. Its nutating disc, positive displacement principle has been time-proven for accuracy and dependability since 1892, ensuring maximum utility revenue.

The T-10 water meter consists of three major assemblies: a register, a lead free, high-copper alloy maincase, and a nutating disc measuring chamber.

The T-10 meter is available with a variety of register types. For reading convenience, the register can be mounted in one of four positions on the meter.

The corrosion-resistant, lead-free, high-copper alloy maincase will withstand most service conditions: internal water pressure, rough handling, and in-line piping stress.

The innovative floating chamber design of the nutating disc measuring element protects the chamber from frost damage while the unique chamber seal extends the low-flow accuracy by sealing the chamber outlet port to the maincase outlet port. The nutating disc measuring element utilizes corrosion-resistant materials throughout and a thrust roller to minimize wear.

Warranty

See Neptune Meter Warranty Statement for warranty details.

When desired, maintenance is easily accomplished either by replacement of major assemblies or individual components.

KEY FEATURES

Register

- Magnetic-driven, low-torque registration ensures accuracy
- Impact-resistant register
- High-resolution, low-flow leak detection
- Bayonet-style register mount allows in-line serviceability
- Tamperproof seal pin deters theft
- Date of manufacture, size, and model stamped on dial face

Lead Free Maincase

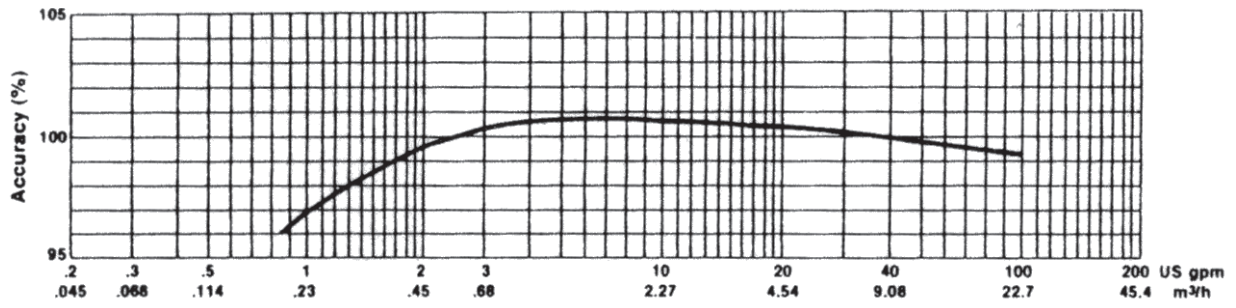
- Made from lead free, high-copper alloy
- NSF/ANSI 61 Certified
- NSF/ANSI 372 Certified
- Lifetime guarantee
- Resists internal pressure stresses and external damage
- Handles in-line piping variations and stresses
- Lead free, high-copper alloy provides residual value vs. plastic

Electrical grounding continuity

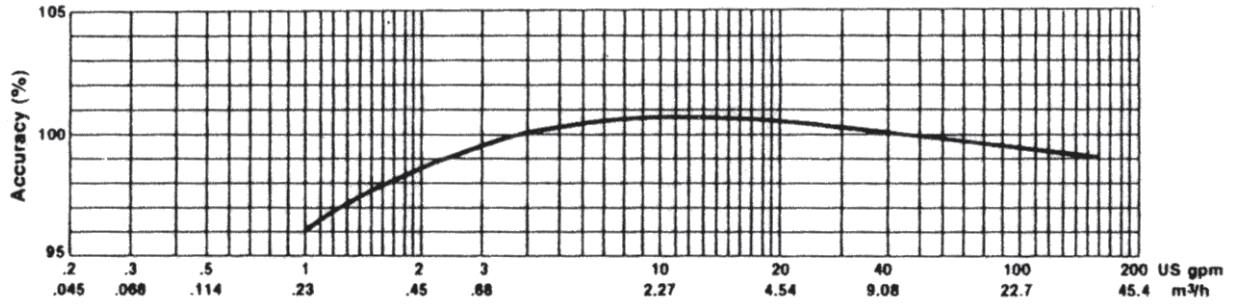
Nutating Disc Measuring Chamber

- Positive displacement
- Widest effective flow range for maximum revenue
- Proprietary polymer materials maximize long-term accuracy
- Floating chamber design is unaffected by meter position or in-line piping stresses

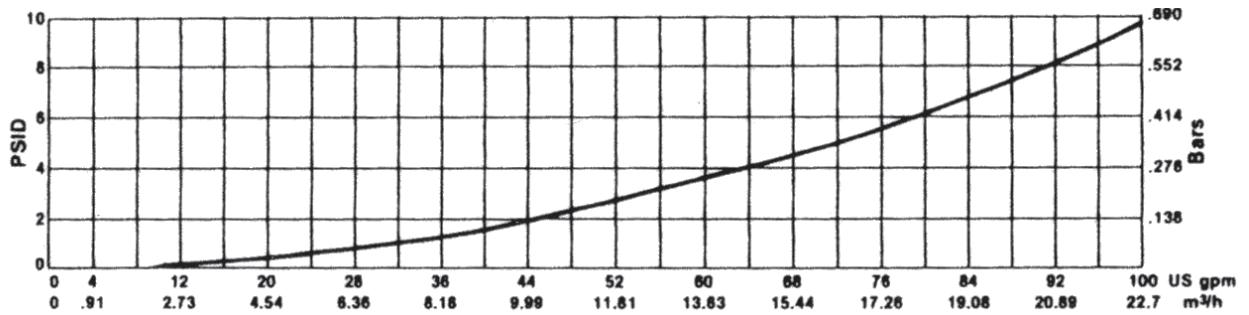
1 1/2" Accuracy



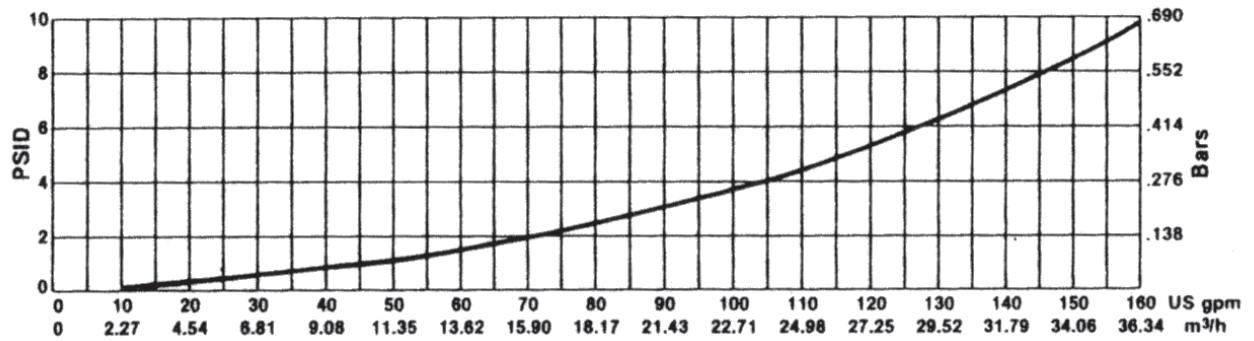
2" Accuracy



1 1/2" Pressure Loss



2" Pressure Loss



These charts show typical meter performance. Individual results may vary.

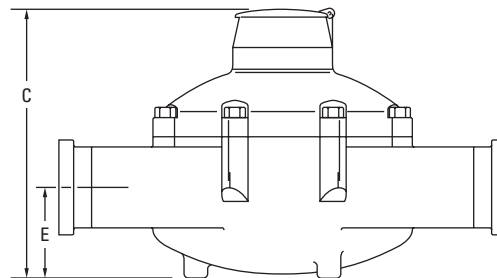
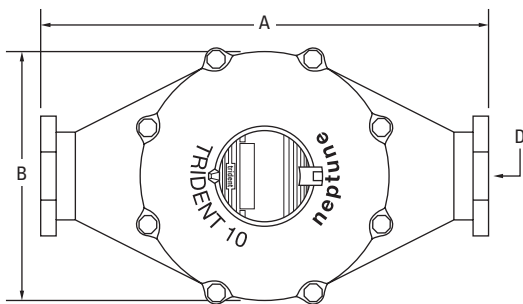
Operating Characteristics

Meter Size	Normal Operating Range @100% Accuracy (±1.5%)	AWWA Standard	Low Flow @ 95% Accuracy
1 1/2"	2 to 100 US gpm 0.46 to 22.73 m ³ /h	5 to 100 US gpm 1.1 to 22.7 m ³ /h	3/4 US gpm 0.17 m ³ /h
2"	2 1/2 to 160 US gpm 0.57 to 36.36 m ³ /h	8 to 160 US gpm 1.8 to 36.3 m ³ /h	1 US gpm 0.23 m ³ /h

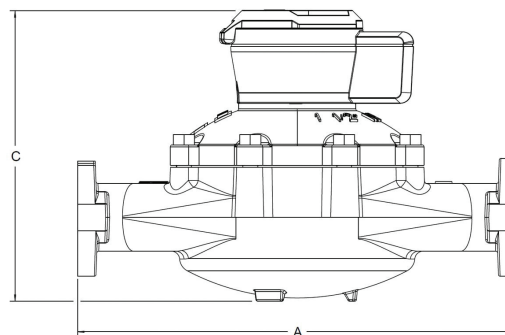
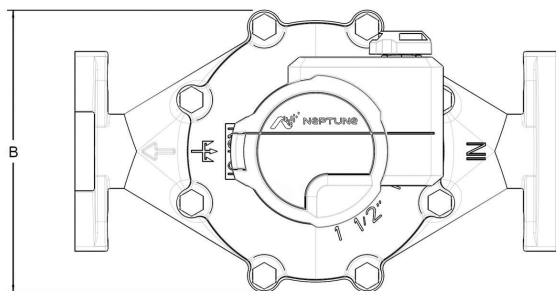
Dimensions

Meter Size	A in/mm	B in/mm	C-Std. in/mm	C-ARB in/mm	C-E-CODER®) R900i™ or ProCoder™) R900i™	D-Threads per inch	D-Thread Type	E in/mm	Weight lbs/kg
1 1/2" Screw End	12 5/8 321	8 1/16 205	8 1/8 206	8 13/16 220.3	8 3/8 213	11 1/2	1 1/2 NPT	2 9/16 65	31 14.1
1 1/2" Flanged End	13 330	8 1/16 205	8 1/8 206	8 13/16 220.3	8 3/8 213	—	—	2 9/16 65	35 15.9
2" Screw End	15 1/4 387	9 7/16 240	9 5/16 237	9 15/16 248.4	9 1/2 241	11 1/2	2" NPT	3 1/8 79	40 18.1
2" Flanged End	17 432	9 7/16 240	9 5/16 237	9 15/16 248.4	9 1/2 241	—	—	3 1/8 79	44 20.0

T-10 With Standard Register



T-10 With E-CODER®)R900i™ or ProCoder™)R900i™ Pit Register



Guaranteed Systems Compatibility

All T-10 meters are guaranteed adaptable to our ARB®V, ProRead™ (ARB VI), ProCoder™, E-CODER® (ARB VII), E-CODER®)R900i™, E-CODER®)R450i™, ProCoder™)R900i™, TRICON®/S, TRICON/E®3, and Neptune ARB® Utility Systems™ without removing the meter from service.

Registration

ProRead Registration (per sweep hand revolution)		1 ½"	2"
100	US Gallons	✓	✓
100	Imperial Gallons	✓	✓
10	Cubic Feet	✓	✓
1	Cubic Metre		✓
.01	Cubic Metre	✓	
Register Capacity ProRead, ProCoder, and E-CODER		1 ½"	2"
100,000,000	US Gallons	✓	✓
100,000,000	Imperial Gallons	✓	✓
10,000,000	Cubic Feet	✓	✓
100,000	Cubic Metres	✓*	
1,000,000	Cubic Metres	✓**	✓
E-CODER High Resolution (8-digit reading)		1 ½"	2"
1	US Gallons	✓	✓
1	Imperial Gallons	✓	✓
0.1	Cubic Feet	✓	✓
0.01	Cubic Metres		✓
0.001	Cubic Metres	✓	
ProCoder High Resolution (8-digit reading)		1 ½"	2"
1	US Gallons	✓	✓
1	Imperial Gallons	✓	✓
0.1	Cubic Feet	✓	✓
0.01	Cubic Metres	✓	✓

*ProRead and E-CODER only **ProCoder only

Specifications

Certification

- NSF/ANSI 61, NSF/ANSI 372

Application

- Cold water measurement of flow in one direction

Maximum Operating Water Pressure

- 150 psi (1,034 kPa)

Maximum Operating Water Temperature

- 80°F

Measuring Chamber

- Nutating disc technology design made from proprietary synthetic polymer

Options

Sizes

- 1 ½" flanged or threaded end
- 2" flanged or threaded end

Units of Measure

- U.S. gallons, imperial gallons, cubic feet, cubic metres

Register Types

- Direct reading: Bronze box and cover
- Remote reading: ProRead Absolute Encoder, ProCoder, E-CODER, E-CODER)R900i, E-CODER)R450i, ProCoder™)R900i™, TRICON/S, TRICON/E3

- Reclaim

Measuring Chamber

- Synthetic polymer

Companion Flanges

- Lead free, high-copper alloy

Environmental Conditions

- Operating temperature: +33°F to +49°F (0°C to +65°C)
- Storage temperature: +33°F to +158°F (0°C to +70°C)

Test Ports

- 1" (optional)



#winyourday
neptunetg.com

Neptune Technology Group
1600 Alabama Highway 229
Tallahassee, AL 36078
800-633-8754 f 334-283-7293