

# SUPERtrol II

## Multi-Function Flow Computer

- “EZ Setup”- Guided Setup for First Time Users
- Liquid, Gas, Steam and Heat Flow Equations
- Utility Metering
- Menu Selectable Hardware & Software Features
- Internal Data Logging Option
- Isolated Pulse, Analog and Relay Outputs Standard
- RS-232 Port Standard, Provides Power for Modem
- RS-485 with Modbus RTU Optional
- Internal Communication Card Option  
Supports: BACnet IP, BACnet MS/TP, Metasys N2, Modbus TCP, AB Ethernet IP, AB DF1, LonWorks\*
- Windows™ Setup Software
- NX19 Gas Equations, Stacked DP Transmitters



- DDE Server & HMI Software Available
- Remote Metering by Wireless or Modem and TROLLink Remote Metering Software Available

### Description:

The SUPERtrol II Flow Computer satisfies the instrument requirements for a variety of flowmeter types in liquid, gas, steam and heat applications. Multiple flow equations are available in a single instrument with many advanced features. Includes equations for most flow meter types.

The alphanumeric display offers measured parameters in easy to understand format. Manual access to measurements and display scrolling is supported

The versatility of the Flow Computer permits a wide measure of versatility within the instrument package. The various hardware inputs and outputs can be “soft” assigned to meet a variety of common application needs. The user “soft selects” the flowmeter type and the usage of each input/output while configuring the instrument. Consider the following illustrative examples.

The isolated analog output can be chosen to follow the volume flow, corrected volume flow, mass flow, heat flow, temperature, pressure, or density by means of a menu selection. Most hardware features are assignable by this method.

The user can assign the standard RS-232 Serial Port for external data logging, transaction printing, or for connection to a modem for remote meter reading.

A Service or Test mode is provided to assist the user during start-up system check out by monitoring inputs and exercising outputs. The system setup can also be printed.

### Specifications:

#### Environmental

Operating Temperature: 0 to +50 C  
Storage Temperature: -40 to +85 C  
Humidity : 0-95% Non-condensing  
Materials: UL, CSA, VDE approved

#### Display

Type: 2 lines of 20 characters  
Types: Backlit LCD, OLED and VFD ordering options  
Character Size: 0.2” nominal  
User selectable label descriptors and units of measure

#### Keypad

Keypad Type: Membrane Keypad with 16 keys  
Keypad Rating: Sealed to NEMA 4X / IP65

#### Enclosure

Enclosure Options: Panel, Wall, Explosion Proof  
Size: See Dimensions  
Depth behind panel: 6.5” including mating connector  
Type: DIN  
Materials: Plastic, UL94V-0, Flame retardant  
Bezel: Textured per matt finish

#### Power Input

The factory equipped power option is internally fused. An internal line to line filter capacitor is provided for added transient suppression. MOV protection for surge transient is also supported

Universal AC Power: 85 to 276 Vrms, 50/60 Hz

DC Power Option: 24 VDC (16 to 48 VDC)

Power Consumption

AC Power: 6.5 V/A (6.5W)

DC Power: 300 mA max.

\* LonWorks protocol requires a different module assembly from the other available protocols. LonWorks is not field selectable.

**Flow Meter Types:**

Linear: Vortex, Turbine, Positive Displacement, Magnetic, ultrasonic, GilFlo, GilFlo 16 point, ILVA 16 Point Mass Flow and others  
Square Law: Orifice, Venturi, Nozzle, V-Cone, Wedge, Averaging Pitot, Target, Verabar, Accelebar and others  
Multi-Point Linearization: May be used with all flowmeter types. Including: 16 point, UVC and dynamic compensation.

**Flow Inputs:****Analog Input:**

Accuracy: 0.02% FS at 20° C

**Ranges**

Voltage: 0-10 VDC, 0-5 VDC, 1-5 VDC

Current: 4-20 mA, 0-20 mA,  
4-20 mA stacked, 0-20 mA stacked

Basic Measurement Resolution: 16 bit

Update Rate: 4 updates/sec

Automatic Fault detection: Signal over/under-range,  
Current Loop Broken

Calibration: Operator assisted learn mode

Extended calibration: Learns Zero and Full Scale of each range

**Fault Protection:**

Fast Transient: 500 V Protection (capacitive clamp)

Reverse Polarity: No ill effects

Over-Voltage Limit: 50 VDC Over voltage protection

Over-Current Protection: Internally current limited protected to 24VDC

**Pulse Inputs:**

Number of Flow Inputs: one

Input Impedance: 10 k  $\Omega$  nominal

Trigger Level: (menu selectable)

**High Level Input**

Logic On: 2.5 to 30 VDC

Logic Off: 0 to 2 VDC

**Low Level Input (mag pickup)**

Selectable sensitivity: 10 mV and 100 mV

Minimum Count Speed: 0.25 Hz (to maintain rate display)

Maximum Count Speed: Selectable: 0 to 50 kHz

Overvoltage Protection: 50 VDC

Update Speed: 1 update/sec.

**Temperature, Pressure, Density Inputs**

The compensation inputs usage are menu selectable for temperature, temperature 2, pressure, density or not used.

Calibration: Operator assisted learn mode

Operation: Ratiometric

Basic Measurement Resolution: 16 bit

Update Rate: 2 updates/sec minimum

Automatic Fault detection:

Signal Over-range/under-range

Current Loop Broken

RTD short

RTD open

Reverse Polarity: No ill effects

Over-Current Limit

(current input) Internally limited to protect input to 24 VDC

**Available Input Ranges**

Current: 4-20 mA, 0-20 mA

Resistance: 100 Ohms DIN RTD

Accuracy: 0.02% FS at 20° C

100 Ohm DIN RTD (DIN 43-760, BS 1904):

Three Wire Lead Compensation

Internal RTD linearization learns ice point resistance

1 mA Excitation current with reverse polarity protection

Temperature Resolution: 0.1°C

Temperature Accuracy:  $\pm 0.5^\circ\text{C}$

**Stored Information (ROM)**

Steam Tables (saturated & superheated),

Fluid Properties: Water, Air, Natural Gas, A Variety of User Entered Industrial Fluids or Generic

**User Entered Stored Information (EEPROM / Nonvolatile RAM)**

Transmitter Ranges, Signal Types

Fluid Properties

(reference density, expansion factor, specific heat, viscosity, isentropic exponent, combustion heating value, Z factor)

Units Selections (English/Metric)

Language Translations (optional)

**Excitation Voltage**

24 VDC @ 100 mA (fault protected with self resetting fuse)

**Relay Outputs**

The relay outputs usage is menu assignable to (Individually for each relay) Hi/Lo Rate Alarm, Hi/Lo Temperature Alarm, Hi/Lo Pressure Alarm, Pulse Output (pulse options), Wet Steam or General purpose warning (security).

Number of relays: 2 (3 optional)

Contact Style: Form C contacts (Form A with 3 relay option)

Contact Ratings: 240 V, 5 amp

**Analog Outputs**

The analog outputs are menu assignable to correspond to the Uncompensated Volume Rate, Corrected Volume Rate, Mass Rate, Heat Rate, Temperature, Density, Pressure or Delta Temperature.

Number of Outputs: 2

Type: Isolated Current Sourcing (shared common)

Available Ranges: 0-20 mA, 4-20 mA (menu selectable)

Resolution: 16 bit

Accuracy: 0.05% FS at 20 Degrees C

Update Rate: 5 updates/sec

Temperature Drift: Less than 200 ppm/C

Maximum Load: 1000 ohms

Compliance Effect: Less than .05% Span

60 Hz rejection: 40 dB minimum

EMI: No effect at 3 V/M

Calibration: Operator assisted Learn Mode

Averaging: User entry of DSP Averaging constant to cause a smooth control action

**Listing:** CE Compliant, UL/C-UL Pending

**Serial Communication**

The serial port can be used for printing, datalog retrieval, modem connection and communication with a computer.

RS-232:

Device ID: 01-99

Baud Rates: 300, 1200, 2400, 9600

Parity: None, Odd, Even

Handshaking: None, Software, Hardware

Print Setup: Configurable print list and formatting

RS-485: (optional 2nd COM port)

Device ID: 01-247

Baud Rates: 300, 600, 1200, 2400, 4800, 9600, 19200

Parity: None, Odd, Even

Protocol: Modbus RTU (Half Duplex)

**Data Logging**

The data logger captures print list information to internal storage for approximately 5000 transactions. This information can be used for later uploading or printing. Storage format is selectable for Comma-Carriage Return or Printer formats.

**Isolated Pulse output**

The isolated pulse output is menu assignable to Uncompensated Volume Total, Compensated Volume Total, Heat Total or Mass Total.

Pulse Output Form (menu selectable): Open Collector NPN or 24 VDC voltage pulse

Nominal On Voltage: 24 VDC

Maximum Sink Current: 25 mA

Maximum Source Current: 25 mA

Maximum Off Voltage: 30 VDC

Saturation Voltage: 0.4 VDC

Pulse Duration: User selectable

Pulse output buffer: 8 bit

Fault Protection

Reverse polarity:

Shunt Diodes

Over-current Protected

Over-voltage Protected

**Real Time Clock**

The Flow Computer is equipped with a pseudo nonvolatile real time clock with display of time and date.

Format:

24 hour format for time

Day, Month, Year for date

Optional Daylight Savings Time

**Terminal Designations**

1	DC OUTPUT		
2	PULSE IN	Vin (+)	FLOW
3	-----	lin (+)	IN
4	COMMON		
5	RTD EXCIT (+)		TEMPERATURE
6	RTD SENS (+)		IN
7	RTD SENS (-)	lin (+)	
8	DC OUTPUT		
9	RTD EXCIT (+)		PRESSURE
10	RTD SENS (+)		(TEMP 2)
11	RTD SENS (-)	lin (+)	IN
12	PULSE OUTPUT (+)		
13	PULSE OUTPUT (-)		
14	ANALOG OUTPUT 1 (+)		
15	ANALOG OUTPUT 2 (+)		
16	ANALOG OUTPUT COMMON (-)		
17	NO		
18	COM RLY1		
19	NC		
20	NC		
21	COM RLY2		
22	NO		
23	AC LINE	DC (+)	POWER IN
24	AC LINE	DC (-)	

## Internal Multi-protocol Communication Card Option

### FEATURES

- Internal communication card eliminates the need for external protocol converters.
- Supports: BACnet IP, BACnet MS/TP, Metasys N2, Modbus TCP, AB Ethernet IP, AB DF1, LonWorks\*
- Easy to configure via the Web Interface.
- Dedicated internal LonWorks is also available
- Dedicated internal RS485 Modbus RTU is also available

### DESCRIPTION

The multi-protocol communication card is an internal, high performance, Building Management System communication solution for the ST2 flow computer family. The card provides an instant interface, enabling the KEP flow computers to communicate with multiple BMS protocols, including:

- BACnet MS/TP
- BACnet IP
- Modbus TCP
- Metasys N2
- AB DF1
- AB EtherNet/IP
- LonWorks\*

### CONFIGURATION

Use a web browser to locate the internal web page and configure the settings. The detailed settings vary with the different communication protocols. Only one communication port/protocol can be used. A web browser is also used to configure the site specific settings for each instrument

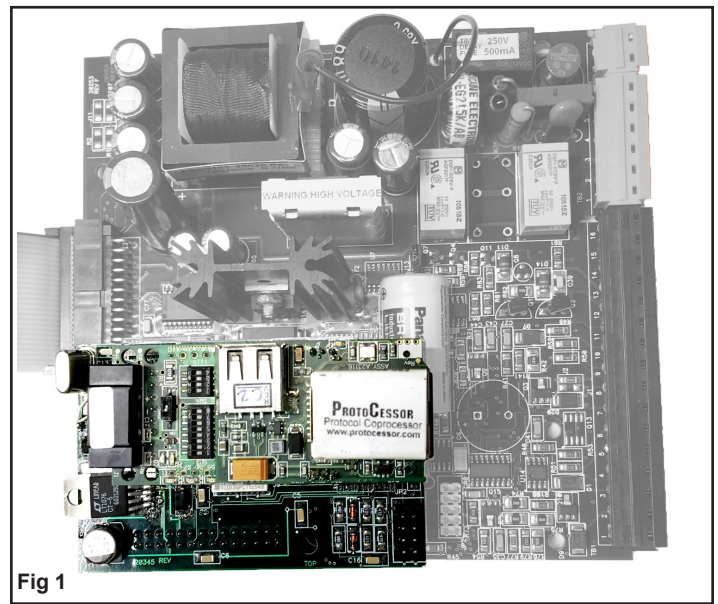


Fig 1

Top view of multi-protocol card installed on ES749 mother board

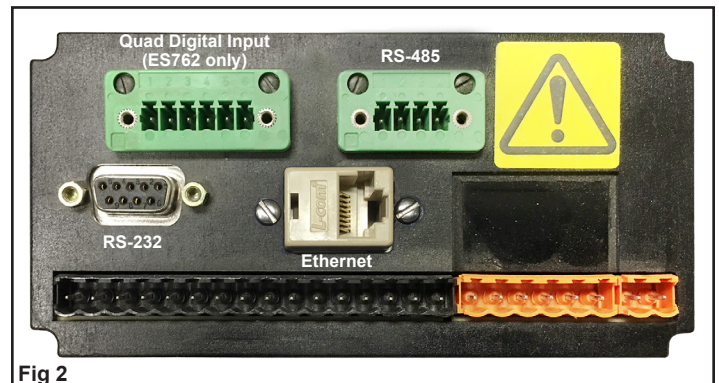


Fig 2

Rear view of ES749 case.

Communication ports are available for RS-485 and Ethernet

The Web Interface makes it easy to configure.

### Configuration Parameters

---

Parameter Name	Parameter Description	Value	
protocol_select	<b>Protocol Selector</b> Set to 1 for BACnet IP Set to 2 for BACnet MSTP Set to 3 for Metasys N2 Set to 4 for Modbus TCP Set to 5 for EtherNet/IP Set to 6 for DF1	<input style="width: 100%;" type="text" value="1"/>	Submit
node_offset	<b>BACnet Node Offset</b> This is used to set the BACnet device instance. The device instance will be sum of the Modbus device address and the node offset. <i>(0 - 4194303)</i>	<input style="width: 100%;" type="text" value="50000"/>	Submit
bac_ip_port	<b>BACnet IP Port</b> This sets the BACnet IP port of the Gateway. The default is 47808. <i>(1 - 65535)</i>	<input style="width: 100%;" type="text" value="47808"/>	Submit
bac_cov_option	<b>BACnet COV</b> This enables or disables COVs for the BACnet connection. Use COV_Enable to enable. Use COV_Disable to disable. <i>(COV_Enable/COV_Disable)</i>	<input style="width: 100%;" type="text" value="COV_Disable"/>	Submit
bac_bbmd_option	<b>BACnet BBMD</b> This enables BBMD on the BACnet IP connection. Use BBMD to enable. Use - to disable. The bdt.ini files also needs to be downloaded. <i>(BBMD/-)</i>	<input style="width: 100%;" type="text" value="-"/>	Submit

### Active profiles

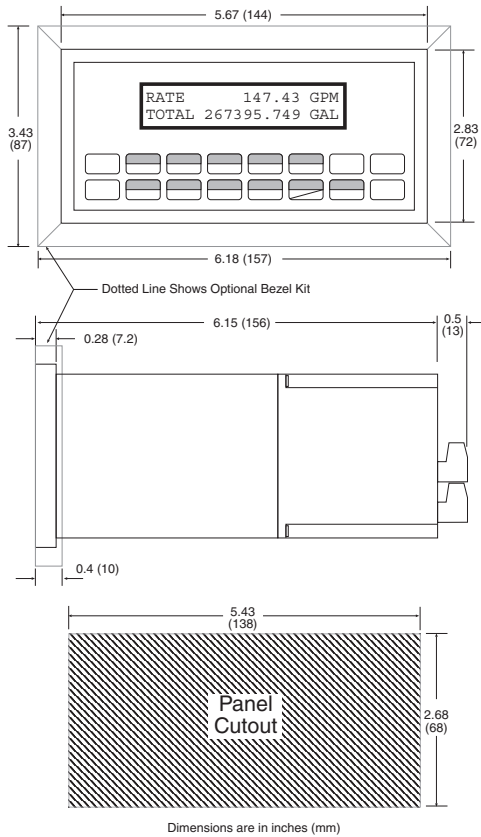
---

Nr	Node ID	Current profile	Parameters	
1	1	BAC_IP_SUPERtrol_II		Remove

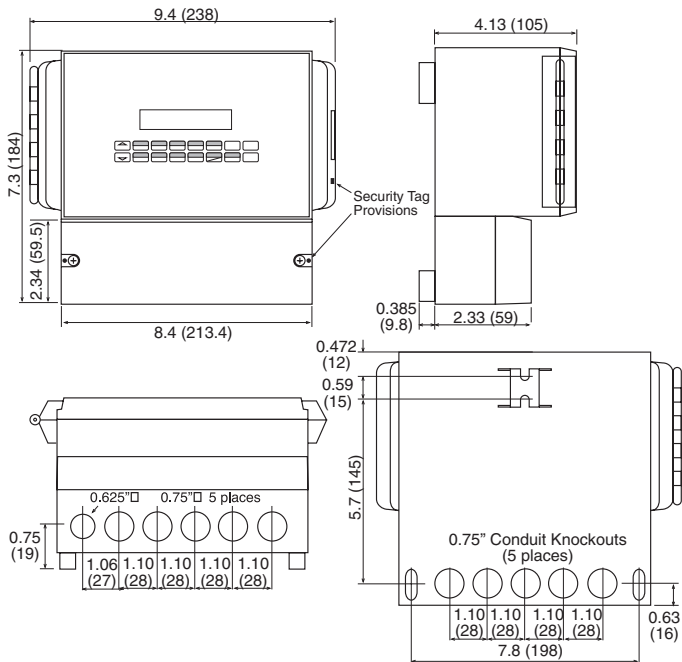
Add

Sample screen shot of web interface configuration

**Fig. 1: Standard Dimensions**



**Fig. 2: Wall Mount ("W" mounting option) Dimensions**



**Ordering Information**

**Example** ST2 L 1 0 P M

**Series:** \_\_\_\_\_  
 ST2 = Flow Computer

**Display Type:** \_\_\_\_\_  
 L = LCD  
 O = OLED  
 V = VFD

**Input Power:** \_\_\_\_\_  
 1 = 85 to 276 VAC  
 3 = 24 VDC (16 to 48 VDC)

**Network Card:** \_\_\_\_\_  
 0 = None  
 1 = RS485/Modbus  
 3 = COM CARD with Multi-Protocol  
 Specify protocol (example: **3 BAC/IP**)  
**BAC/IP** = BACnet IP  
**BACMS/TP** = BACnet MS/TP  
**MOD/IP** = Modbus TCP/IP  
**METASYS/N2** = Metasys N2  
**ABDF1** = AB DF1  
**ABETH/IP** = AB EtherNet/IP  
 4 = COM CARD with LonWorks Protocol  
 Specify protocol (example: **4 LONWORKS**)  
 Factory configuration of network card settings

**Mounting:** \_\_\_\_\_  
 P = Panel Mount  
 N = NEMA 4 Wall Mount (see MS811)  
 W = NEMA 12/13 Wall Mount w/ Clear Cover  
 E = Explosion Proof (No Button Access)

**Options:** \_\_\_\_\_  
 1 = Peak Demand  
 2 = AGA NX-19 calculation for natural gas  
 3 = Three Relays  
 4 = Stacked DP option  
 5 = Datalogger option (consult factory)  
 6 = Stack Emissions Controller option  
 7 = Manifold Flowmeter Controller option  
 9 = 3 Relay Super Chip (options 1, 2, 4, 6, 7)  
 10 = 2 Relay Super Chip (options 1, 2, 4, 6, 7)  
 13 = Superchip; 2 relay, Positive heat only  
 14 = Superchip; 3 relay, Positive heat only  
 22 = Superchip; 2 relay, For use with 4 terminal multi-variable vortex meters  
 26 = Superchip; 3 relay, For use with 4 terminal multi-variable vortex meters  
 TM = Trap monitor RS485 network card  
 IM = Internal Modem  
 IM-56K = 56K Internal Secure Modem  
 M = Modem Power Option  
 ET = Extended Temperature LCD Display  
 TB = RS485 Terminal Block for Panel Mount Enclosure  
 TU = Translation Utility Disk

- Accessories:**
- ST2 SETUP PRO - Advanced setup software for ST2 family
  - OPC/DDE Server for RS232 Port available, see KWP-UCOND0-PRD
  - OPC/DDE Server for Modbus Suite available, see KWP-MDBUS0-PRD
  - Modem Available, see MPP-56KN, MPP-2400 and MPP-2400N
  - Serial printer available, see P20, P220, P295
  - Ethernet Port Server available, see IEPS
  - RS-422/485 to RS-232 Communication Adaptor available, see CA285
  - RS232 Extender Cable: P/N=13220-<length in inches>
  - Remote metering and data collection software available, see TROLLink