



PRODUCT CONFIGURATION

PRODUCT IDENTIFIER 1

RT14 = Oval Gear Meter

ELECTRICAL ACCESS 2

1 = M20 x 1.5mm (M16 x 1.5 mm for Al housing) female threaded conduit entry ports (sealed ports remain IP66/67 when not used)

2 = ½ inch NPT female threaded consult entry ports (not available on aluminum housing)

FLOW INPUT TYPE 3

D = Digital (pulse or frequency)

POWER SUPPLY 4

0 = Self-powered (battery) or regulated 8~24Vdc

HOUSING TYPE 5

FM = Universal mount (field or panel) – GRN housing

MM = Integral meter mount – GRN housing

RT14 FLOW RATE TOTALIZER

FLOMEC® OM-Series Mechanical Flowmeters

LCD display RT14 is a fully programmable self-powered flow rate totaliser specifically designed for computing & displaying flow rates & totals from flow meters with pulse, sine wave or frequency out-puts. The instrument displays resettable (batch) total, accumulated total and instantaneous flow rates in engineering units as programmed by the user. Flow meter inputs: suitable use with most pulse/frequency output meters such as reed switch, coil, voltage pulse (Wiegand), NPN and PNP.

CONTROL OUTPUTS

An unscaled pulse output serves as an input signal amplifier ideally suited for coil type inputs from turbine or paddle wheel meters. The output can be transmitted over and can be configured for NPN/PNP with wiring connection.

FEATURES / BENEFITS

- Self or external powered, 8 digit LCD total, accumulated total and rate
- Robust IP66/67-NEMA4X universal mount glass reinforced nylon enclosure with rubberized buttons and polycarbonate lens
- GRN field & panel mountable housing
- Sealed pulse, 4-20mA (Loop Powered) output, multi point linearization of flow input or frequency inputs
- Flow alarm for high, low or high/low
- PIN protected programming
- Simple flow chart touch key programming
- Non volatile memory, Long battery life
- Flowmeter & pipe mount kits available
- Reverse polarity protection
- Non volatile memory, Long battery life
- Flowmeter & pipe mount kits available

ALSO AVAILABLE

- Battery totalizers (BT11)
- Automatic batch controllers (EB10)
- Flow rate totalizer with backlit large digit
- LCD, alarm & scalable outputs (RT40)

PROGRAMMING

Simple PIN protected flow chart programming with English prompts guide you through the programming routine greatly reducing the need to refer to the instruction manual

1 2 3 4 5
 --->>>> RT14 + 1 + D + 0 + FM = SAMPLE

SPECIFICATIONS

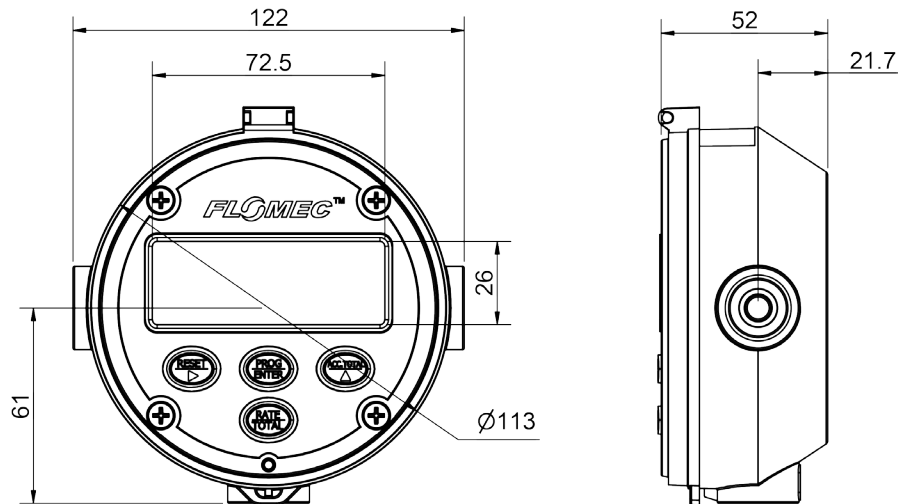
	OM015
LCD Display	8 digit alpha-numeric LCD display with 12mm characters with backlight*
Instantaneous flow rate	8 digit to 3 decimal points
	8 digit to 3 decimal points
Engineering Units Displayed	Liters, Gallons, Meters ³ , Pounds, Kilograms or Nil
Input types	Reed, NPN/PNP, Variable Reluctance (Turbine flowmeters), Weigand Sensors (voltage pulse)
Input frequency	1.2KHz (NPN/PNP), 2kHz (C ^o il inputs), 120kHz (Reed)
Input scaling range	0.0001 ~ 9999999.9999 with 4 floating points
Linearisation	10 point correction
Pulse outputs	one selectable digital output for scaled pulse, unscaled pulse, high, low or high/low alarms
Operating Temperature	- 30°C ~ +80°C (-22°F ~ +176°F)
Power sources	AA 3.6V Lithium Thionyl Chloride Battery, external voltage option (12 ~ 30vDC)
Enclosures	High impact glass reinforced Nylon (PA6) with a Polycarbonate lens, Nitrile O-Ring seals and Polyurethane gaskets, providing an IP rating of IP66/67 [^]
Mounting	meter & stem mount, wall, pipe or panel mount [^]

* Backlight possible when connected to external power

[^] Panel mount seal kit required to maintain IP66/67 rating when separating front and rear housing for mounting

ACCESSORIES

- 1522001 Wall Mount Kit
- 1522002 2 inch Pipe Mount Kit
- 1504003 Panel mount Seal Kit



Service & Warranty: For technical assistance, warranty replacement or repair contact your **FLOMEC®** or **GPI®** distributor: In North or South America: **888-996-3837 / flomec.net**
 Outside North or South America: **+61 2 9540 4433 / flomec.net**

Wichita · Sydney · Mexico City

GREAT PLAINS INDUSTRIES **GPI**

© 2017 Great Plains Industries, Inc. All Rights Reserved.