

Description

Provides electrical contact closure upon completion of batching cycle and continuous digital totalized readings. The 6" dial face with gasketed viewing glass display, contains 5 digits to display non-resettable totalization and can be configured to display any standard engineering unit (i.e.; U.S. gallons, Imp. gallons, pounds, and liters). A large sweep hand is located in the center of the register. The sweep hand is set at the zero position by a hand set knob and manually re-set for each batch. When the dial hand reaches the fixed quantity setting, the switch is activated. The fixed quantity is factory set to your specifications.

Mounts to

Meter Type	Size	Meter Materials
Nutating Disc	1" - 2 1/2"	Epoxy Coated Cast Iron
	1", 2", 2.5", 3", 4"	Bronze
Oscillating Piston	1" or 2"	Stainless Steel

Technical Information

Functional Specifications

Registration	U.S. gallons, Imp. gallons, pounds, liters, etc.
Value per Rev	1/10/100/1000/other
Operation	Mechanical drive
Sweep Hand	Re-set for batching
Display Outputs	Digital Non-resettable Total with sweep hand
Display Digits	5
Microswitch	Form C Dry Contact Rating: 10A @ 120 VAC, SPDT
Temperature	Use vertical extension if liquid > 250° F (121° C)



**R-30A Electriccontact
Batch/Totalizer Register**

Physical Specifications

Materials of Construction	
Case	Epoxy Coated Cast Iron
Frame	Zinc
Shafts	Brass
Gears	Brass
Bearings	Graphite Bronze
Number Wheels	Brass
Pointer	Aluminum
Dial	Aluminum
Adapter	Aluminum
Mounting Position	Top/Horizontal Vertical Dial Face
Temperature	Plastic Odometer <140° F (60° C) Metal Odometer >140° F (600° C)

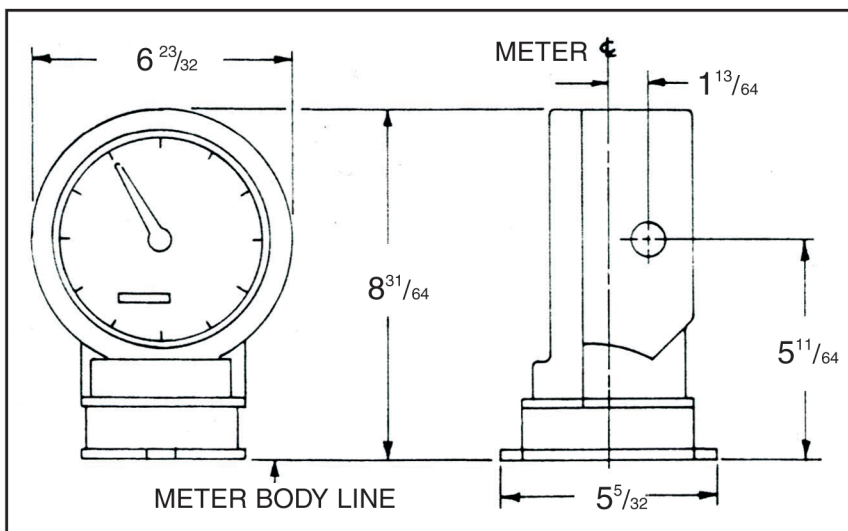
R-30A Electriccontact Batch/Totalizer Register

Ordering Information

	MODEL R30A	2
Switch _____		
A.....10 Amps @ 120 VAC or 2 Amps @ 600 VAC SPDT		
Engineering Units* _____		
1Gallons		
2Pounds		
3Cubic Feet		
4Liters		
5Imperial Gallons		
6Barrels		
7Other		
Dial Face Range _____		
A.....1		
B.....10		
C.....100		
D.....1000		
E.....Other (many other ranges available as std.)		
Switch Type _____		
2Type A (operate at some fixed quantity setting)		
Register Extension _____		
0No		
16"		
212"		

*A multiplying factor is used with totalizer reading

Dimensions (inch)



venture
MEASUREMENT

NIR-30A Rev. C

2011 All rights reserved.

All data subject to change without notice.