

## Description

Provides continuous non-resettable digital totalized readings. Transmits a scaled electrical pulse signal (switch closure type) for each discrete unit of liquid volume metered. The display contains 5 resettable digits to display totalization and 8 digits for continuous totalization. The face plate can be configured to display any standard engineering unit (i.e.; U.S. gallons, Imp. gallons, pounds, liters).

Mounts to

Meter Type	Size	Meter Materials
Nutating Disc	1" - 2 1/2"	Epoxy Coated Cast Iron
	1" - 2"	Bronze
Oscillating Piston	1" or 2"	Stainless Steel

## Technical Information

### Functional Specifications

Registration	U.S. gallons, Imp. gallons, pounds, liters, etc.
Operation	Mechanical drive
Reed Switch	Form A Dry Contact Resistive: 50 VA, 3.0 Amp, not to exceed 250 VDC
Reed Switch Rate	1 pulse/unit
Display Outputs	5 digit non-resettable total and 8 digit total
Display Digits	5 and 8
Temperature	Use vertical extension if liquid > 250° F (121° C)
Agency Approvals	UL and CSA Class I Division I Group D



R-22B Mechanical Totalizing Register with Pulse Transmitter

### Physical Specifications

Materials of Construction	
Case	Aluminum
Number Wheels	Acetal Resin
Face Plate	Plastic
Gears	Brass
Mounting Position	Top/Horizontal Vertical Dial Face

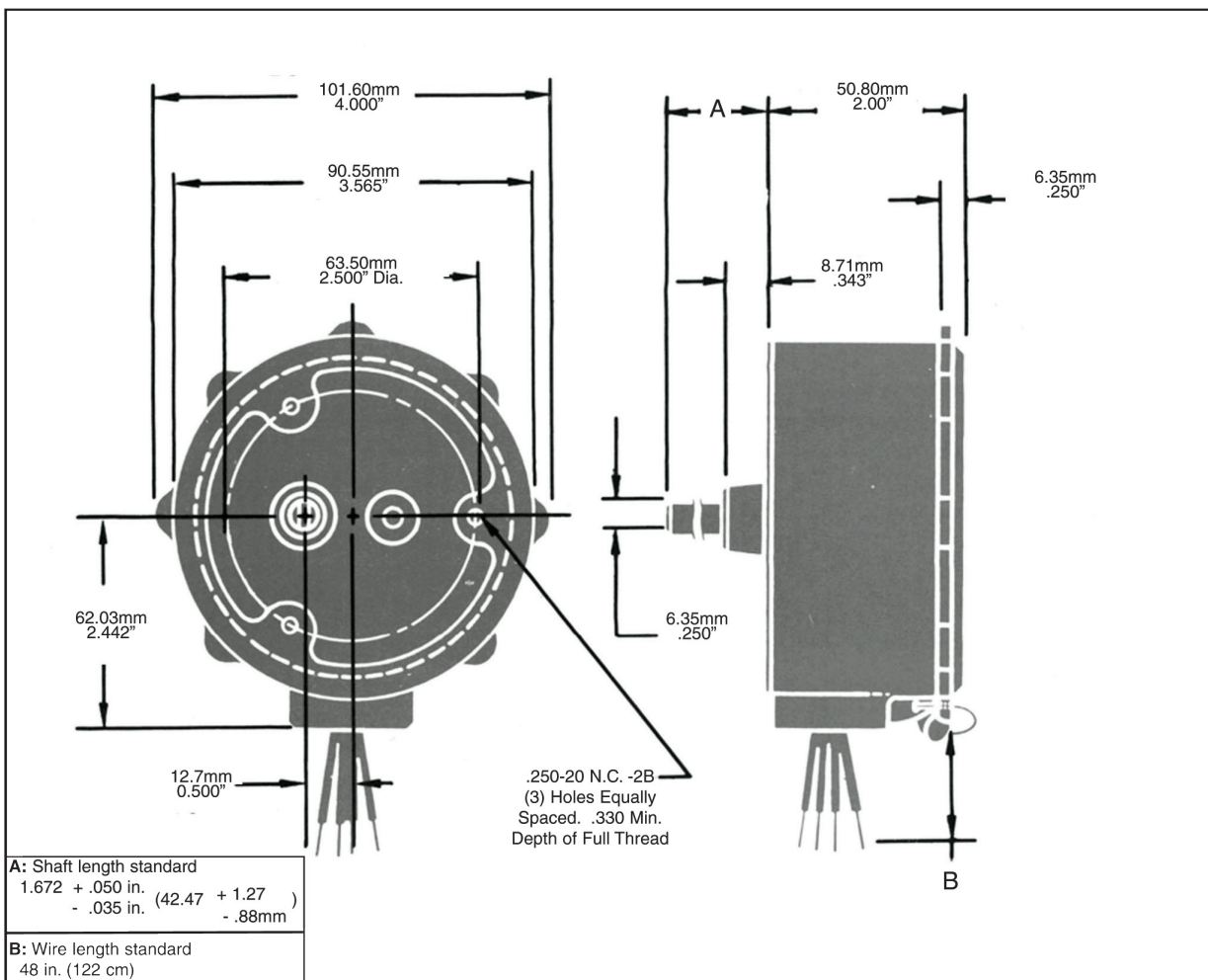
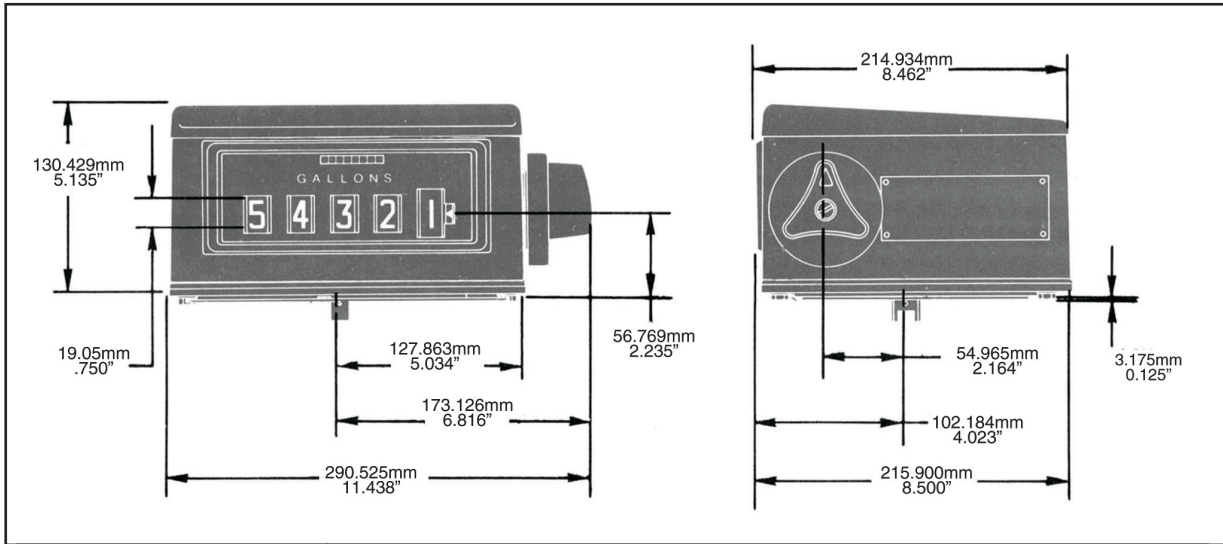
## Ordering Information

MODEL R2 2 B

Engineering Units	_____
1	.....Gallons
2	.....Pounds
3	.....Imperial Gallons
4	.....Liters
9	.....Special
Increments	_____
A	.....0.1
B	.....1
C	.....10
Register Extension	_____
0	.....No
1	.....6"
2	.....12"

# R-22B Mechanical Totalizing Register with Pulse Transmitter

## Dimensions



**venture**  
MEASUREMENT

NIR-22B Rev. C

2011 All rights reserved.

All data subject to change without notice.