

Description

Provides continuous non-resettable digital totalized readings. The display contains 5 re-settable digits to display totalization and 8 digits for continuous totalization. The faceplate can be configured to display any standard engineering unit (i.e.; U.S. gallons, Imp. gallons, pounds, liters).

Mounts to

Meter Type	Size	Meter Materials
Nutating Disc	1" - 2 1/2"	Teflon® Coated Cast Iron
	1", 2", 2.5", 3", 4"	Bronze
Oscillating Piston	1" or 2"	Stainless Steel



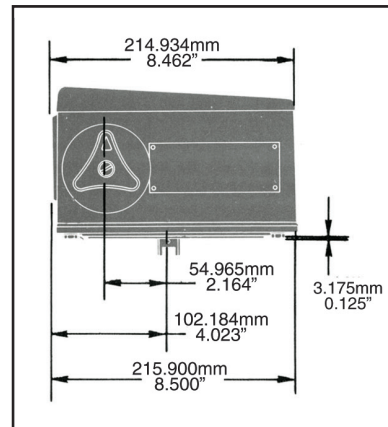
R-22A Mechanical Totalizing Register

Technical Information

Functional Specifications

Registration	U.S. gallons, Imp. gallons, pounds, liters, etc.
Operation	Mechanical drive
Display Outputs	5 digit non-resettable total and 8 digit total
Display Digits	5 and 8
Temperature	Use vertical extension if liquid > 250° F (121° C)

Dimensions



Physical Specifications

Materials of Construction	
Case	Aluminum
Number Wheels	Acetal Resin
Face Plate	Plastic
Gears	Brass
Mounting Position	Top/Horizontal Vertical Dial Face
Agency Approval	UL and CSA, Class I, Div. I, Group D

Ordering Information

MODEL R22A

Engineering Units	_____
1Gallons	_____
2Pounds	_____
3Imperial Gallons	_____
4Liters	_____
9Special	_____
Increments	_____
A0.1	_____
B1	_____
C10	_____
Register Extension	_____
0No	_____
16"	_____
212"	_____

