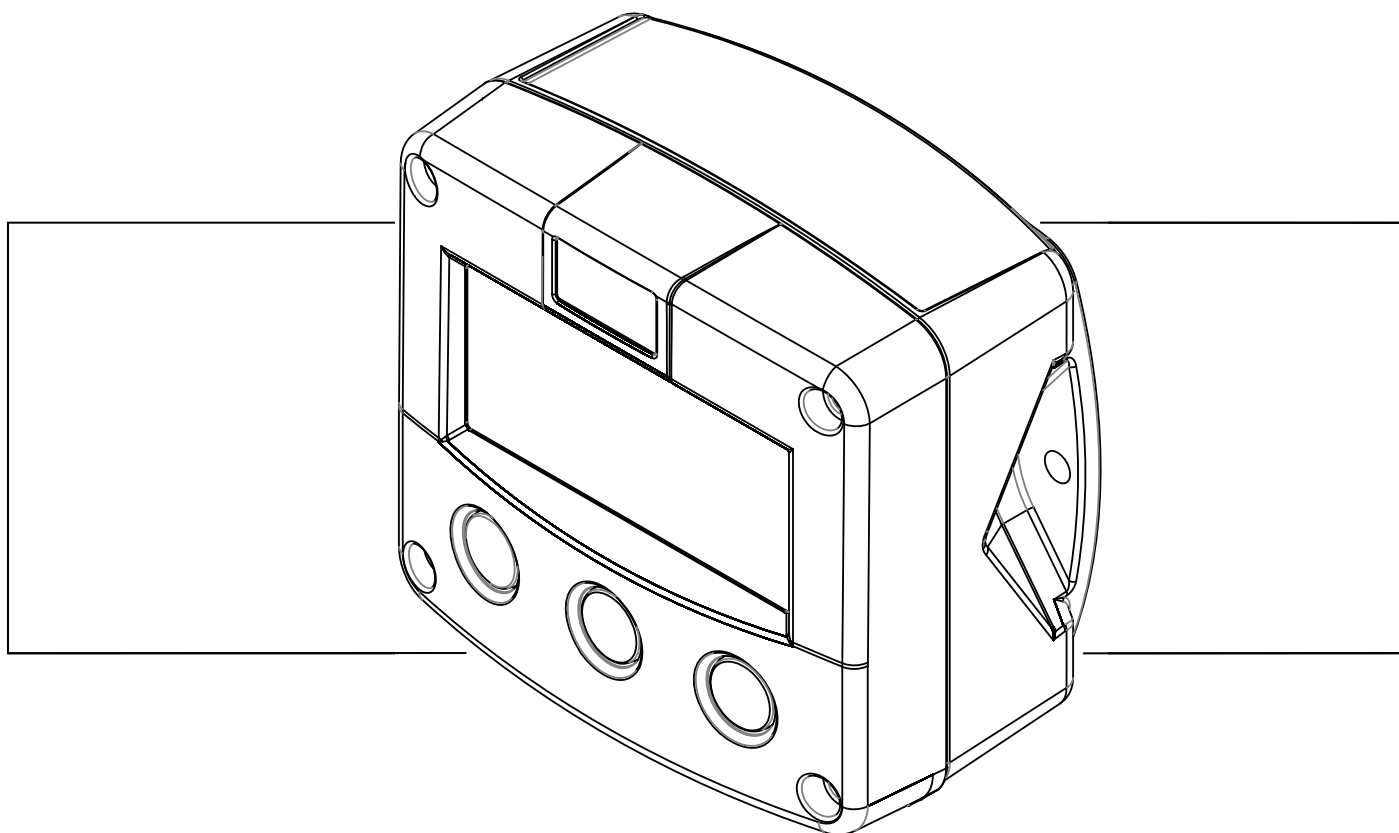




## Flowcomputer for Corrected Liquid Volume Owner's Manual – Model F126-P

---



*Signal input flowmeter - type P: pulse, Namur and coil*

*Signal input pressure - type IA: (0)4-20mA*

*Signal input temperature - type TP: PT100 2- or 3 wire*

*Signal output: 0/4-20mA / 0-10V ref. corrected flowrate*

*Options: Intrinsically Safe, Modbus Communication*



## SAFETY INSTRUCTIONS

- Any responsibility is lapsed if the instructions and procedures as described in this manual are not followed.
- **LIFE SUPPORT APPLICATIONS:** The F126-P-EL is not designed for use in life support appliances, devices, or systems where malfunction of the product can reasonably be expected to result in a personal injury. Customers using or selling these products for use in such applications do so at their own risk and agree to fully indemnify the manufacturer and supplier for any damages resulting from such improper use or sale.
- Electro static discharge does inflict irreparable damage to electronics! Before installing or opening the unit, the installer has to discharge himself by touching a well-grounded object.
- This unit must be installed in accordance with the EMC guidelines (Electro Magnetic Compatibility).
- Do connect a proper grounding to the aluminum casing as indicated if the F126-P-EL has been supplied with the 115-230V AC power-supply type PM. The green / yellow wire between the back-casing and removable terminal-block may never be removed.
- **Intrinsically Safe applications:** follow the instructions as mentioned in Chapter 5 and consult “Fluidwell F1...-XI - Documentation for Intrinsic Safety”.

## DISPOSAL



- *At the end of its life this product should be disposed of according to local regulations regarding waste electronic equipment. If a battery is present in this product it should be disposed of separately. The separate collection and recycling of your waste equipment will help to conserve natural resources and ensure that it is recycled in a manner that protects the environment.*

## SAFETY RULES AND PRECAUTIONARY MEASURES

- The manufacturer accepts no responsibility whatsoever if the following safety rules and precautions instructions and the procedures as described in this manual are not followed.
- Modifications of the F126-P-EL implemented without preceding written consent from the manufacturer, will result in the immediate termination of product liability and warranty period.
- Installation, use, maintenance and servicing of this equipment must be carried out by authorized technicians.
- Check the mains voltage and information on the manufacturer's plate before installing the unit.
- Check all connections, settings and technical specifications of the various peripheral devices with the F126-P-EL supplied.
- Open the casing only if all leads are free of potential.
- Never touch the electronic components (ESD sensitivity).
- Never expose the system to heavier conditions than allowed according to the casing classification (see manufacture's plate and chapter 4.2.).
- If the operator detects errors or dangers, or disagrees with the safety precautions taken, then inform the owner or principal responsible.
- The local labor and safety laws and regulations must be adhered to.

## ABOUT THE OPERATION MANUAL

This operation manual is divided into two main sections:

- The daily use of the unit is described in chapter 2 "Operation". These instructions are meant for users.
- The following chapters and appendices are exclusively meant for electricians/technicians. These provide a detailed description of all software settings and hardware installation guidance.

This operation manual describes the standard unit as well as most of the options available. For additional information, please contact your supplier.

**A hazardous situation may occur if the F126-P-EL is not used for the purpose it was designed for or is used incorrectly. Please carefully note the information in this operating manual indicated by the pictograms:**



A "**warning**" indicates actions or procedures which, if not performed correctly, may lead to personal injury, a safety hazard or damage of the F126-P-EL or connected instruments.



Caution !

A "**caution**" indicates actions or procedures which, if not performed correctly, may lead to personal injury or incorrect functioning of the F126-P-EL or connected instruments.



Note !

A "**note**" indicates actions or procedures which, if not performed correctly, may indirectly affect operation or may lead to an instrument response which is not planned.

Hardware version	:	02.01.xx
Software version	:	02.05.xx
Manual	:	GPI_F126PEN_EL_TP_v0501_07
© Copyright 2015	:	Fluidwell bv - The Netherlands.

**Information in this manual is subject to change without prior notice. The manufacturer is not responsible for mistakes in this material or for incidental damage caused as a direct or indirect result of the delivery, performance or use of this material.**

**© All rights reserved. No parts of this publication may be reproduced or used in any form or by any means without written permission of your supplier.**

# CONTENTS MANUAL

Safety instructions .....	2
Disposal .....	2
Safety rules and precautionary measures .....	2
About the operation manual .....	3
Contents manual.....	4
1. Introduction .....	5
1.1. System description of the F126-P-EL .....	5
2. Operational.....	7
2.1. General .....	7
2.2. Control panel.....	7
2.3. Operator information and functions .....	8
3. Configuration.....	9
3.1. Introduction .....	9
3.2. Programming SETUP-level.....	9
3.2.1. General.....	9
3.2.2. Overview functions SETUP level.....	12
3.2.3. Explanation OF SETUP-functions .....	13
1 - Total.....	13
2 - Flowrate .....	14
3 - Display .....	15
4 - Power management .....	15
5 - Flowmeter .....	16
6 - Temperature .....	17
7 - Formula.....	17
8 - Analog output.....	18
9 - Communication (optional).....	19
A - Others.....	19
4. Installation .....	20
4.1. General directions .....	20
4.2. Installation / surrounding conditions .....	20
4.3. Dimensions- Enclosure .....	21
4.4. Installing the hardware.....	23
4.4.1. Introduction.....	23
4.4.2. Voltage selection sensor supply.....	24
4.4.3. Terminal connectors.....	25
5. Intrinsically safe applications.....	32
5.1. General information and instructions .....	32
5.2. Terminal connectors Intrinsically Safe applications .....	33
5.3. Configuration Examples.....	35
5.4. Battery replacement instructions.....	37
6. Maintenance.....	38
6.1. General directions .....	38
Appendix A: Technical specification .....	39
Appendix B: Problem solving.....	43
Appendix C: Communication variables.....	44
Index of this manual.....	47

# 1. INTRODUCTION

## 1.1. SYSTEM DESCRIPTION OF THE F126-P-EL

### Functions and features

The flowcomputer Model F126-P-EL is a microprocessor driven instrument for the calculation of standard volumetric flow or mass flow for liquid applications using flow equations.

This product has been designed with a focus on:

- ultra-low power consumption to allow long-life battery powered applications (type PB / PC),
- intrinsic safety for use in hazardous applications (type XI),
- several mounting possibilities with aluminum or GRP enclosures for harsh industrial surroundings,
- ability to process all types of flowmeter signals,
- transmitting possibilities with analog and communication (option) outputs.

### Flowmeter and temperature input

This manual describes the unit with a pulse type input from the flowmeter "-P version". Other versions are available to process (0)4-20mA or 0-10V flowmeter signals.

One flowmeter with a passive or active pulse, Namur or sine wave (coil) signal output can be connected to the F126-P-EL. To power the sensor, several options are available.

This unit has a PT100 temperature input "-TP version". Other versions are available to process 0-10V or (0)4-20mA temperature signals.

### Standard output

- Configurable linear (0)4-20mA or 0-10V analog output with 10-bits resolution mirroring the actual flowrate at standard conditions. Flowrate levels as well as the minimum and maximum signal output can be tuned.

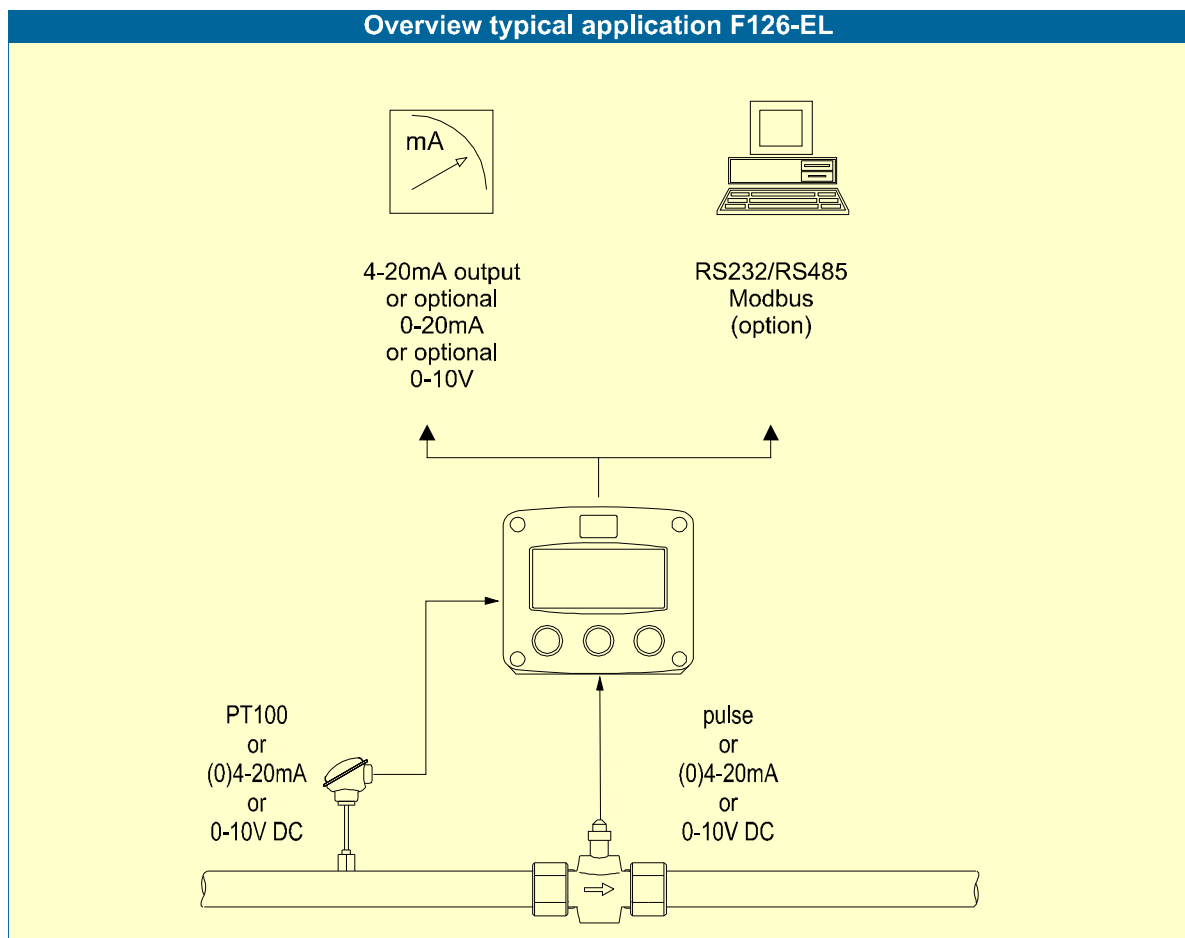


Fig. 1: Typical application for the F126-P-EL.

### **Configuration of the unit**

The F126-P-EL was designed to be implemented in many types of applications. For that reason, a SETUP-level is available to configure your F126-P-EL according to your specific requirements. SETUP includes several important features, such as K-factors, Span, measurement units, signal selection etc. All settings are stored in EEPROM memory and will not be lost in the event of power failure or a drained battery.

To extend the battery-life time (option), please make use of the power-management functions as described in chapter 3.2.3.

### **Display information**

The unit has a large transfective LCD with all kinds of symbols and digits to display measuring units, status information, trend-indication and key-word messages.

Flowrate and totals can be displayed either with the small 8mm digits or with the 17mm digits.

A backup of the total and accumulated total in EEPROM memory is made every minute.

### **Options**

The following options are available: isolated or active 4-20mA / 0-10V / 0-20mA analog output, full Modbus communication RS232/485 (also battery powered), intrinsic safety, power- and sensor-supply options, panel-mount, wall-mount and weather-proof enclosures, flame proof enclosure.

## 2. OPERATIONAL

### 2.1. GENERAL



- *The F126-P-EL may only be operated by personnel who are authorized and trained by the operator of the facility. All instructions in this manual are to be observed.*
- *Take careful notice of the " Safety rules, instructions and precautionary measures " in the front of this manual.*

This chapter describes the daily use of the F126-P-EL. This instruction is meant for users / operators.

### 2.2. CONTROL PANEL

The following keys are available:

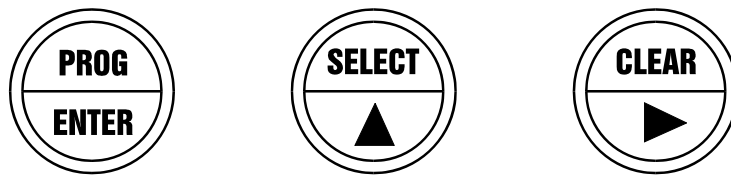


Fig. 2: Control Panel.

#### Functions of the keys



This key is used to program and save new values or settings.  
It is also used to gain access to SETUP-level; please read chapter 3.



This key is used to SELECT accumulated total.  
The arrow-key ▲ is used to increase a value after PROG has been pressed or to configure the unit; please read chapter 3.



Press this key twice to CLEAR the value for total.  
The arrow-key ► is used to select a digit after PROG has been pressed or to configure the unit; please read chapter 3.

### 2.3. OPERATOR INFORMATION AND FUNCTIONS

In general, the F126-P-EL will always function at Operator level. The information displayed is dependant upon the SETUP-settings. All pulses generated by the connected flowmeter are measured by the F126-P-EL in the background, whichever screen refresh rate setting is chosen. After pressing a key, the display will be updated very quickly during a 30 second period, after which it will slow-down again.



Fig. 3: Example of display information during process.

For the Operator, the following functions are available:

- **Display calculated flowrate and calculated total or calculated flowrate**  
This is the main display information of the F126-P-EL. After selecting any other information, it will always return to this main display automatically.  
Total is displayed on the upper-line of the display and flowrate on the bottom line.  
It is possible to display flowrate only with the large 17mm digits; in this instance press the SELECT-key to read the total.  
When "-----" is shown, then the flowrate value is too high to be displayed. The arrows  $\blacktriangleleft$   $\blacktriangleright$  indicate the increase/decrease of the flowrate trend.
- **Clear total**  
The value for total can be re-initialized. To do so, press CLEAR twice. After pressing CLEAR once, the flashing text "PUSH CLEAR" is displayed. To avoid re-initialization at this stage, press another key than CLEAR or wait for 20 seconds.  
Re-initialization of total DOES NOT influence the accumulated total.
- **Display calculated accumulated total**  
When the SELECT-key is pressed, total and accumulated total are displayed. The accumulated total cannot be re-initialized. The value will count up to 99,999,999,999. The unit and number of decimals are displayed according to the configuration settings for total.
- **Display line temperature**  
After pressing SELECT, the actual temperature is displayed.
- **Low-battery alarm**  
When the battery voltage drops, it must be replaced. At first "low-battery" will flash, but as soon as it is displayed continuously, the battery MUST be replaced shortly after!  
Only original batteries supplied by the manufacturer may be used, else the guarantee and liability will be terminated. The remaining lifetime after the first moment of indication is generally several days up to some weeks.



Fig. 4: Example of low-battery alarm.

- **Alarm**  
When "alarm" is displayed, please consult Appendix B: problem solving.



### 3. CONFIGURATION

#### 3.1. INTRODUCTION

This and the following chapters are exclusively meant for electricians and non-operators. In these, an extensive description of all software settings and hardware connections are provided.



- *Mounting, electrical installation, start-up and maintenance of the instrument may only be carried out by trained personnel authorized by the operator of the facility. Personnel must read and understand this Operating Manual before carrying out its instructions.*
- *The F126-P-EL may only be operated by personnel who are authorized and trained by the operator of the facility. All instructions in this manual are to be observed.*
- *Ensure that the measuring system is correctly wired up according to the wiring diagrams. The housing may only be opened by trained personnel.*
- *Take careful notice of the " Safety rules, instructions and precautionary measures " in the front of this manual.*

#### 3.2. PROGRAMMING SETUP-LEVEL

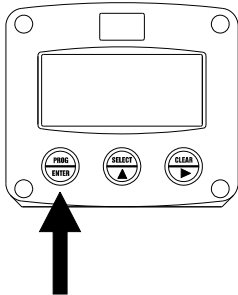
##### 3.2.1. GENERAL

Configuration of the F126-P-EL is done at SETUP-level. SETUP-level is reached by pressing the PROG/ENTER key for 7 seconds; at which time, both arrows  $\blacktriangleleft$  will be displayed. In order to return to the operator level, PROG will have to be pressed for three seconds. Alternatively, if no keys are pressed for 2 minutes, the unit will exit SETUP automatically. SETUP can be reached at all times while the F126-P-EL remains fully operational.



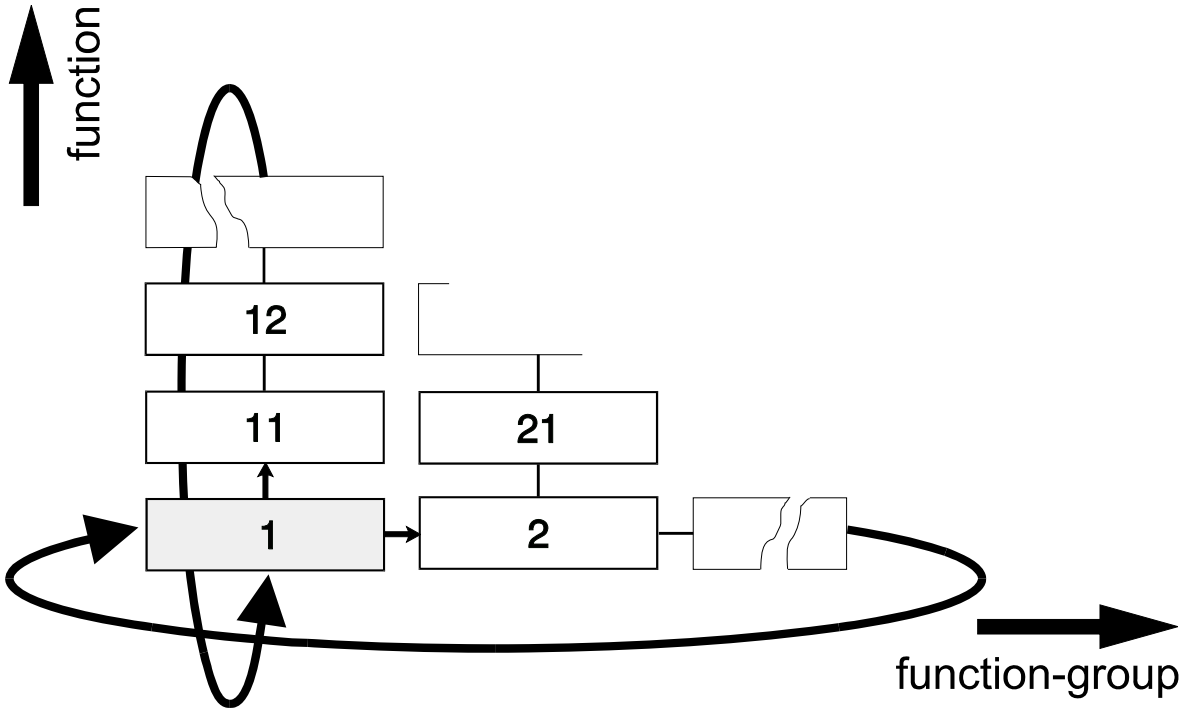
**Note:** A pass code may be required to enter SETUP. Without this pass code access to SETUP is denied.

To enter SETUP-level:



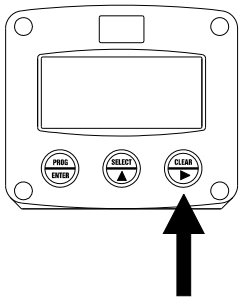
Press  for 7 seconds

**Matrix structure SETUP-level:**

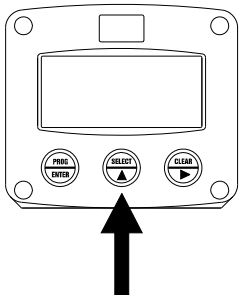


**SCROLLING THROUGH SETUP-LEVEL**

**Selection of function-group and function:**  
 SETUP is divided into several function groups and functions.



Select function-group with



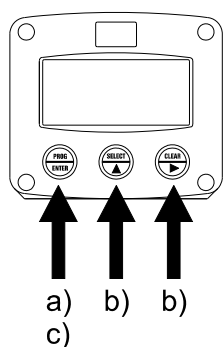
Select function with









Each function has a unique number, which is displayed below the word "SETUP" at the bottom of the display. The number is a combination of two figures. The first figure indicates the function-group and the second figure the sub-function. Additionally, each function is expressed with a keyword.



After selecting a sub-function, the next main function is selected by scrolling through all "active" sub-functions (e.g. 1<sup>▲</sup>, 11<sup>▲</sup>, 12<sup>▲</sup>, 13<sup>▲</sup>, 14<sup>▲</sup>, 1<sup>▶</sup>, 2<sup>▶</sup>, 3<sup>▲</sup>, 31 etc.).



To change or select a value:



- a) press  briefly; **PROGRAM** will start flash
- b) select or enter value with  and / or 
- c) press  to confirm the value / selection.

To change a value, use  to select the digits and  to increase that value.

To select a setting, both  and  can be used.

If the new value is invalid, the increase sign  or decrease-sign  will be displayed while you are programming.

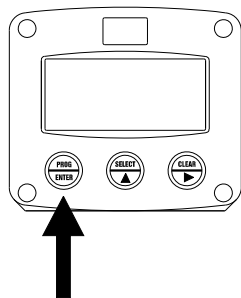
When data is altered but ENTER is not pressed, then the alteration can still be cancelled by waiting for 20 seconds or by pressing ENTER for three seconds: the PROG-procedure will be left automatically and the former value reinstated.



Note !

**Note:** alterations will only be set after ENTER has been pressed!

To return to OPERATOR-level:



Press  for 3 seconds

In order to return to the operator level, PROG will have to be pressed for three seconds. Also, when no keys are pressed for 2 minutes, SETUP will be left automatically.

## 3.2.2. OVERVIEW FUNCTIONS SETUP LEVEL

SETUP FUNCTIONS AND VARIABLES			
<b>1</b>	<b>TOTAL</b>		
	11	UNIT	L - m3 - kg - lb - GAL - USGAL - bbl - no unit
	12	DECIMALS	0 - 1 - 2 - 3 (Ref: displayed value)
	13	K-FACTOR:	0.000010 - 9,999,999
	14	DECIMALS K-FACTOR	0 - 6
<b>2</b>	<b>FLOWRATE</b>		
	21	UNIT	mL, L, m3, mg, g, kg, ton, GAL, bbl, lb, cf, rev, no unit
	22	TIME UNIT	sec - min - hour - day
	23	DECIMALS	0 - 1 - 2 - 3 (Ref: displayed value)
	24	K-FACTOR	0.000010 - 9,999,999
	25	DECIMALS K-FACTOR	0 - 6
	26	PERIOD TIME	0.1 - 999.9 seconds
	27	FILTER	0 - 99
<b>3</b>	<b>DISPLAY</b>		
	31	FUNCTION	total - flowrate
<b>4</b>	<b>POWER MAN</b>		
	41	LCD UPDATE	fast - 1 sec - 3 sec - 15 sec - 30 sec - off
	42	BATTERY MODE	operational - shelf
<b>5</b>	<b>FLOWMETER</b>		
	51	SIGNAL	nnp - nnp_lp - reed - reed_lp - pnp - pnp_lp - namur - coil_hi - coil_lo - act_8.1 - act_12 - act_24
<b>6</b>	<b>TEMPERATURE - A/B</b>		
	61	NO. OF WIRES	2 - 3
	62	FILTER	10 - 99
	63	DISPLAY	°C - °F - K
<b>7</b>	<b>FORMULA</b>		
	71	EQUATIONS TYPE	EL - (fixed)
	72	THERMAL EXPANSION COEFFICIENT	0.000000 - 9.999999
	73	NORMAL TEMPERATURE	0.00 - 99,999.99 K
<b>8</b>	<b>ANALOG</b>		
	81	OUTPUT	disable - enable
	82	4mA / 0V	0000.000 - 9,999,999
	83	20mA / 10V	0000.000 - 9,999,999
	84	CUT-OFF	0.0 - 9.9%
	85	TUNE MIN - 4mA / 0V	0 - 9,999
	86	TUNE MAX- 20mA / 10V	0 - 9,999
	87	FILTER	00 - 99
<b>9</b>	<b>COMMUNIC</b>		
	91	SPEED / BAUDRATE	1200 - 2400 - 4800 - 9600
	92	ADDRESS	1 - 255
	93	MODE	RTU - off
<b>A</b>	<b>OTHERS</b>		
	A1	TYPE / MODEL	
	A2	SOFTWARE VERSION	
	A3	SERIAL NO.	
	A4	PASSWORD	0000 - 9999
	A5	TAGNUMBER	0000000 - 9999999

## 3.2.3. EXPLANATION OF SETUP-FUNCTIONS

1 - TOTAL	
<b>MEASUREMENT UNIT 11</b>	<p>SETUP - 11 determines the measurement unit for total, accumulated total and pulse output. The following units can be selected:</p> <p style="text-align: center;">L - m3 - kg - lb. - GAL - USGAL - bbl - _ (no unit).</p> <p>Alteration of the measurement unit will have consequences for operator and SETUP-level values. Please note that the K-factor has to be adapted as well; the calculation is not done automatically.</p>
<b>DECIMALS 12</b>	<p>The decimal point determines for total, accumulated total and pulse output the number of digits following the decimal point. The following can be selected:</p> <p style="text-align: center;">0000000 - 111111.1 - 22222.22 - 3333.333</p>
<b>K-FACTOR 13</b>	<p>With the K-factor, the flowmeter pulse signals are converted to a quantity. The K-factor is based on the number of pulses generated by the flowmeter per selected measurement unit (SETUP 11), for example per cubic meter. The more accurate the K-factor, the more accurate the functioning of the system will be.</p> <p><b>Example 1: Calculating the K-factor.</b> <i>Let us assume that the flowmeter generates 2.4813 pulses per liter and the selected unit is "cubic meters / m3". A cubic meter consists of 1000 parts of one liter which implies 2,481.3 pulses per m3. So, the K-factor is 2,481.3. Enter for SETUP - 13: "2481300" and for SETUP - 14 - decimals K-factor "3".</i></p> <p><b>Example 2: Calculating the K-factor.</b> <i>Let us assume that the flowmeter generates 6.5231 pulses per gallon and the selected measurement unit is gallons. So, the K-Factor is 6.5231. Enter for SETUP - 13: "6523100" and for SETUP - 14 decimals K-factor "6".</i></p>
<b>DECIMALS K-FACTOR 14</b>	<p>This setting determines the number of decimals for the K-factor entered. (SETUP 13). The following can be selected:</p> <p style="text-align: center;">0 - 1 - 2 - 3 - 4 - 5 - 6</p> <p>Please note that this setting influences the accuracy of the K-factor indirectly. (i.e. the position of the decimal point and thus the value given) This setting has NO influence on the displayed number of digits for total (SETUP 12)!</p>

## 2 - FLOWRATE

The settings for total and flowrate are entirely separate. In this way, different units of measurement can be used for each e.g. cubic meters for total and liters for flowrate.  
The display update time for flowrate is one second or more.

**Note:** these settings also influence the analog output.

<b>MEASUREMENT UNIT</b> <b>21</b>	SETUP - 21 determines the measurement unit for flowrate. The following units can be selected:  mL - L - m3 - mg - g - kg - ton - GAL - bbl - lb - cf - REV - no unit - scf - Nm3 - NL - P.  Alteration of the measurement unit will have consequences for operator and SETUP-level values. Please note that the K-factor has to be adapted as well; the calculation is not done automatically.			
<b>TIME UNIT</b> <b>22</b>	The flowrate can be calculated per second (SEC), minute (MIN), hour (HR) or day (DAY).			
<b>DECIMALS</b> <b>23</b>	This setting determines for flowrate the number of digits following the decimal point. The following can be selected:  00000 - 1111.1 - 2222.22 - 3333.333			
<b>K-FACTOR</b> <b>24</b>	With the K-factor, the flowmeter pulse signals are converted to a flowrate. The K-factor is based on the number of pulses generated by the flowmeter per selected measurement unit (SETUP 21), for example per liter. The more accurate the K-factor, the more accurate the functioning of the system will be. For examples read SETUP 13.			
<b>DECIMALS K-FACTOR</b> <b>25</b>	This setting determines the number of decimals for the K-factor (SETUP 24). The following can be selected:  0 - 1 - 2 - 3 - 4 - 5 - 6  Please note that this SETUP - influences the accuracy of the K-factor indirectly. This setting has NO influence on the displayed number of digits for "flowrate" (SETUP 23)!			
<b>PERIOD</b> <b>26</b>	The flowrate is calculated by counting the number of pulses within a certain time, for example 1 second. The longer the time the more accurate the flowrate will be. The maximum value is 999.9 seconds. <b>Note:</b> this setting does influence the update time for the analog output directly (maximum update 10 times a second). If the output response is too slow, decrease the number of pulses. <b>Note:</b> the shorter the time, the higher the power consumption of the unit will be (important for battery powered applications).			
<b>FILTER</b> <b>27</b>	This function is used to stabilize the flowrate reading. With the help of this digital filter a more stable but less actual reading can be obtained. The filter principal is based on three input values: the filter level (01-99), the last calculated flowrate on both the A / B flow and the last average value. The higher the filter level, the longer the response time on a value change will be. Below, several filter levels with there response times are indicated:			
<b>FILTER VALUE</b>	<b>RESPONSE TIME ON STEP CHANGE OF ANALOG VALUE.</b>			
	<b>TIME IN SECONDS</b>			
	<b>50% INFLUENCE</b>	<b>75% INFLUENCE</b>	<b>90% INFLUENCE</b>	<b>99% INFLUENCE</b>
<b>01</b>	filter disabled	filter disabled	filter disabled	filter disabled
<b>02</b>	0.1 second	0.2 second	0.4 second	0.7 second
<b>03</b>	0.2 second	0.4 second	0.6 second	1.2 seconds
<b>05</b>	0.4 second	0.7 second	1.1 seconds	2.1 seconds
Continued next page >>>				



Note !

2 - FLOWRATE (CONTINUED)				
FILTER VALUE	RESPONSE TIME ON STEP CHANGE OF ANALOG VALUE.			
	TIME IN SECONDS			
	50% INFLUENCE	75% INFLUENCE	90% INFLUENCE	99% INFLUENCE
10	0.7 second	1.4 seconds	2.2 seconds	4.4 seconds
20	1.4 seconds	2.8 seconds	4.5 seconds	9.0 seconds
30	2.1 seconds	4 seconds	7 seconds	14 seconds
50	3.5 seconds	7 seconds	11 seconds	23 seconds
75	5.2 seconds	10 seconds	17 seconds	34 seconds
99	6.9 seconds	14 seconds	23 seconds	45 seconds

3 - DISPLAY	
<b>FUNCTION 31</b>	<p>The large 17mm digits can be set to display total or flowrate. When "total" is selected, both total and flowrate are displayed simultaneously.</p> <p>When "flowrate" is selected, only flowrate will be displayed with it's measuring unit while total will be displayed after pressing SELECT.</p>

4 - POWER MANAGEMENT	
<p>When used with the internal battery option, the user can expect reliable measurement over a long period of time. The F126-P-EL has several smart power management functions to extend the battery life time significantly. Two of these functions can be set:</p>	
<b>LCD NEW 41</b>	<p>The calculation of the display-information influences the power consumption significantly. When the application does not require a fast display update, it is <b>strongly advised</b> to select a slow refresh rate. Please understand that NO information will be lost; every pulse will be counted and the output signals will be generated in the normal way. The following can be selected:</p> <p style="text-align: center;">Fast - 1 sec - 3 sec - 15 sec - 30 sec - off.</p> <p><b>Example 3: Battery life-time</b>  <i>battery life-time with a coil pick-up, 1KHz. pulses and FAST update: about 2 years.</i>  <i>battery life-time with a coil pick-up, 1KHz. pulses and 1 sec update: about 5 years.</i></p> <p><b>Note:</b> after a button has been pressed by the operator - the display refresh rate will always switch to FAST for 30 seconds. When "OFF" is selected, the display will be switched off after 30 seconds and will be switched on as soon as a button has been pressed.</p>
<b>BATTERY-MODE 42</b>	<p>The unit has two modes: operational or shelf. After "shelf" has been selected, the unit can be stored for several years; it will not count pulses, the display is switched off but all settings and totals are stored. In this mode, power consumption is extremely low. To wake up the unit again, press the SELECT-key twice.</p>



Note !



Note !

5 - FLOWMETER				
<b>SIGNAL 51</b>	The F126-P-EL is able to handle several types of input signal. The type of flowmeter pickup / signal is selected with function. <b>Note:</b> The selections "active pulse" offer a detection level of 50% of the supply voltage. Read also par. 4.4.3. Flowmeter input terminal 09-11.			
TYPE OF SIGNAL	EXPLANATION	RESISTANCE	FREQ. / MV	REMARK
NPN	NPN input	100K pull-up	6 kHz.	(open collector)
NPN - LP	NPN input with low pass filter	100K pull-up	2.2 kHz.	(open collector) less sensitive
REED	Reed-switch input	1M pull-up	1.2 kHz.	
REED - LP	Reed-switch input with low pass filter	1M pull-up	120 Hz.	Less sensitive
PNP	PNP input	100K pull-down	6 kHz.	
PNP - LP	PNP input with low pass filter	100K pull-down	700 Hz.	Less sensitive
NAMUR	Namur input	820 Ohm pull-down	4 kHz.	External power required
COIL HI	High sensitive coil input	-	20mV p.t.p.	Sensitive for disturbance!
COIL LO	Low sensitive coil input	-	90mV p.t.p.	Normal sensitivity
ACT_8.1	Active pulse input 8.1 V DC	3K9	10KHz.	External power required
ACT_12	Active pulse input 12 V DC	4K	10KHz.	External power required
ACT_24	Active pulse input 24 V DC	3K	10KHz.	External power required



6 - TEMPERATURE				
<b>NO. OF WIRES</b> 61	Do select here the number of wires of the two PT100 elements - two or three.			
<b>FILTER</b> 62	The analog output signal of a sensor does mirror the actual temperature. This signal is measured several times a second. The value measured is a "snap-shot" of the real temperature as it will be fluctuating. With the help of this digital filter a stable and accurate reading can be obtained while the filter level can be set to a desired value. The filter principal is based on three input values: the filter level (01-99), the last measured analog value and the last average value. The higher the filter level, the longer the response time on a value change will be.			
<b>FILTER VALUE</b>	<b>RESPONSE TIME ON STEP CHANGE OF ANALOG VALUE.</b>			
	<b>TIME IN SECONDS</b>			
	<b>50% INFLUENCE</b>	<b>75% INFLUENCE</b>	<b>90% INFLUENCE</b>	<b>99% INFLUENCE</b>
10	1.8 seconds	3.5 seconds	5.6 seconds	11 seconds
20	3.5 seconds	7.0 seconds	11 seconds	23 seconds
30	5.3 seconds	10 seconds	17 seconds	34 seconds
50	8.8 seconds	17 seconds	29 seconds	57 seconds
75	13 seconds	26 seconds	43 seconds	86 seconds
99	17 seconds	34 seconds	57 seconds	114 seconds
<b>DISPLAY UNIT</b> 63	SETUP - 63 determines the displayed unit for the Operator The following units can be selected: °C - °F - K			

7 - FORMULA	
<b>EQUATIONS TYPE</b> 71	<p>This function describes the supplied equations. The supplied Model is the F126-P-EL. "EL" stands for Equations Liquid - flowcomputer for corrected liquid volume.</p> <p>The formula used:</p> $Q_{\text{normal}} = Q * (1 + \alpha * (T_{\text{normal}} - T))$ <p>where</p> <p> <math>Q_{\text{normal}}</math> = calculated volume at reference conditions  <math>Q</math> = measured volume  <math>\alpha</math> = thermal expansion coefficient  <math>T_{\text{normal}}</math> = reference temperature  <math>T</math> = measured temperature </p>
<b>THERMAL EXPANSION COEFFICIENT</b> 72	<p>Enter here the thermal expansion coefficient <math>\alpha</math> for the liquid used. The value to be entered has to be multiplied with 1000. The decimal position is fixed but can not be displayed: x,xxxxxx</p> <p>With the default value of 0.000000 the volume correction is <u>disabled</u>.</p> <p><b>Examples:</b>     <b>Calculation of the thermal expansion coefficient</b>  <math>\alpha</math> for water is 0,00031 per K. Enter: 0310000.  <math>\alpha</math> for petrol is 0,00110 per K. Enter: 1100000.</p>
<b>NORMAL TEMPERATURE</b> 73	<p>Enter here the reference temperature <math>T_{\text{normal}}</math> in degrees Kelvin (K). In most applications, the volume has to be calculated at 15°C which is 288,15 K.</p>

## 8 - ANALOG OUTPUT

A linear analog (0)4-20mA or 0-10V signal is generated according to the flowrate with a 10 bits resolution. The settings for flowrate (SETUP - 2) influence the analog output directly. The relationship between rate and analog output is set with the following functions:

<b>DISABLE / ENABLE</b> <b>81</b>	The analog output can be disabled. In case of a passive analog output type AP, 3.5mA will be generated if a power supply is available but the output is disabled.
<b>MINIMUM FLOWRATE</b> <b>82</b>	Enter here the flowrate at which the output should generate the minimum signal (0/4mA or 0V) - in most applications at flowrate "zero". The number of decimals displayed depend upon SETUP 23. The time and measuring units (L/min for example) are dependant upon SETUP 21 and 22 but are not displayed.
<b>MAXIMUM FLOWRATE</b> <b>83</b>	Enter here the flowrate at which the output should generate the maximum signal (20mA or 10V) - in most applications at maximum flow. The number of decimals displayed depend upon SETUP 23. The time and measuring units (L/min for example) are dependant upon SETUP 21 and 22 but can not be displayed.
<b>CUT-OFF</b> <b>84</b>	To ignore leakage of the flow for example, a low flow cut-off can be set as a percentage of the full range of 16mA, 20mA or 10V. When the flow is less than the required rate, the current will be the minimum signal (0/4mA or 10V). <b>Examples:</b>

4mA (SETUP 82)	20mA (SETUP 83)	CUT-OFF (SETUP 84)	REQUIRED RATE	OUTPUT
0 L/min	100 L/min	2%	$(100-0)*2\% = 2.0 \text{ L/min}$	$4+(16*2\%) = 4.32\text{mA}$
20 L/min	800 L/min	3.5%	$(800-20)*3.5\% = 27.3 \text{ L/min}$	$4+(16*3.5\%)=4.56\text{mA}$

<b>TUNE MIN / 4MA</b> <b>85</b>	<p>The initial minimum analog output value is 0/4mA or 0V. However, this value might differ slightly due to external influences such as temperature for example. The 0/4mA or 0V value can be tuned precisely with this setting.</p> <ul style="list-style-type: none"> <li>▪ <i>Before tuning the signal, be sure that the analog signal is not being used for any application!</i></li> </ul> <p>After pressing PROG, the current will be about 4mA (or 0mA / 0V). The current can be increased / decreased with the arrow-keys and is <u>directly active</u>. Press ENTER to store the new value. Remark: the analog output value can be programmed "up-side-down" if desired, so 20mA at minimum flowrate for example!</p>
------------------------------------	--



<b>TUNE MAX / 20MA</b> <b>86</b>	<p>The initial maximum analog output value is 20mA (or 10V). However, this value might differ slightly due to external influences such as temperature for example. The 20mA value (or 10V) can be tuned precisely with this setting.</p> <ul style="list-style-type: none"> <li>▪ <i>Before tuning the signal, be sure that the analog signal is not being used for any application!</i></li> </ul> <p>After pressing PROG, the current will be about 20mA. The current can be increased / decreased with the arrow-keys and is <u>directly active</u>. Press ENTER to store the new value. Remark: the analog output value can be programmed "up-side-down" if desired, so 4mA at maximum flowrate for example!</p>
-------------------------------------	--



Continued next page >>>

## 8 - ANALOG OUTPUT (CONTINUED)

<b>FILTER 87</b>	This function is used to stabilize the analog output signal. The output value is updated every 0.1 second. With the help of this digital filter a more stable but less precise reading can be obtained. The filter principal is based on three input values: the filter level (01-99), the last analog output value and the last average value. The higher the filter level, the longer the response time on a value change will be. Below, several filter levels with their response times are indicated:			
<b>FILTER VALUE</b>	<b>RESPONSE TIME ON STEP CHANGE OF ANALOG VALUE. TIME IN SECONDS</b>			
	<b>50% INFLUENCE</b>	<b>75% INFLUENCE</b>	<b>90% INFLUENCE</b>	<b>99% INFLUENCE</b>
<b>01</b>	filter disabled	filter disabled	filter disabled	filter disabled
<b>02</b>	0.1 second	0.2 second	0.4 second	0.7 second
<b>03</b>	0.2 second	0.4 second	0.6 second	1.2 seconds
<b>05</b>	0.4 second	0.7 second	1.1 seconds	2.1 seconds
<b>10</b>	0.7 second	1.4 seconds	2.2 seconds	4.4 seconds
<b>20</b>	1.4 seconds	2.8 seconds	4.5 seconds	9.0 seconds
<b>30</b>	2.1 seconds	4 seconds	7 seconds	14 seconds
<b>50</b>	3.5 seconds	7 seconds	11 seconds	23 seconds
<b>75</b>	5.2 seconds	10 seconds	17 seconds	34 seconds
<b>99</b>	6.9 seconds	14 seconds	23 seconds	45 seconds

## 9 - COMMUNICATION (OPTIONAL)

The functions described below deal with hardware that is not part of the standard delivery. Programming of these functions does not have any effect if this hardware has not been installed. Consult Appendix C and the Modbus communication protocol description for a detailed explanation.	
<b>BAUDRATE 91</b>	For external control, the following communication speeds can be selected:  1200 - 2400 - 4800 - 9600 baud
<b>BUS ADDRESS 92</b>	For communication purposes, a unique identity can be attributed to every F126-P-EL. This address can vary from 1-255.
<b>MODE 93</b>	The communication protocol is Modbus RTU mode. Select OFF, to disable this communication function.

## A - OTHERS

<b>TYPE OF MODEL A1</b>	For support and maintenance it is important to have information about the characteristics of the F126-P-EL. Your supplier will ask for this information in the case of a serious breakdown or to assess the suitability of your model for upgrade considerations.
<b>VERSION SOFTWARE A2</b>	For support and maintenance it is important to have information about the characteristics of the F126-P-EL. Your supplier will ask for this information in the case of a serious breakdown or to assess the suitability of your model for upgrade considerations.
<b>SERIAL NUMBER A3</b>	For support and maintenance it is important to have information about the characteristics of the F126-P-EL. Your supplier will ask for this information in the case of a serious breakdown or to assess the suitability of your model for upgrade considerations.
<b>PASSWORD A4</b>	All SETUP-values can be password protected. This protection is disabled with value 0000 (zero). Up to and including 4 digits can be programmed, for example 1234.
<b>TAGNUMBER A5</b>	For identification of the unit and communication purposes, a unique tag number of maximum 7 digits can be entered.

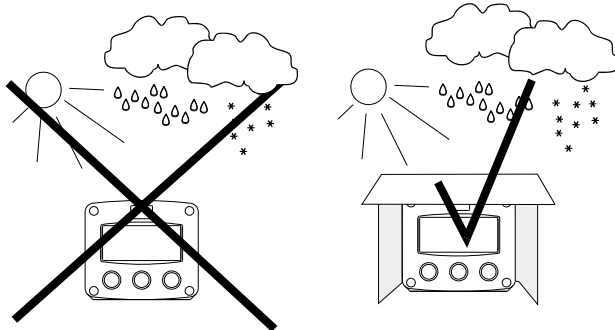
## 4. INSTALLATION



### 4.1. GENERAL DIRECTIONS

- Mounting, electrical installation, start-up and maintenance of this instrument may only be carried out by trained personnel authorized by the operator of the facility. Personnel must read and understand this Operating Manual before carrying out its instructions.
- The F126-P-EL may only be operated by personnel who are authorized and trained by the operator of the facility. All instructions in this manual are to be observed.
- Ensure that the measuring system is correctly wired up according to the wiring diagrams. Protection against accidental contact is no longer assured when the housing cover is removed or the panel cabinet has been opened (danger from electrical shock). The housing may only be opened by trained personnel.
- Take careful notice of the " Safety rules, instructions and precautionary measures " at the front of this manual.

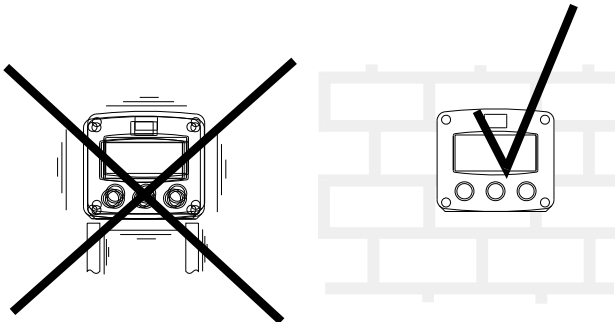
### 4.2. INSTALLATION / SURROUNDING CONDITIONS



Take the relevant IP classification of the casing into account (see manufactures plate). Even an IP67 (NEMA 4X) casing should NEVER be exposed to strongly varying (weather) conditions.

When panel-mounted, the unit is IP65 (NEMA 4X)!

When used in very cold surroundings or varying climatic conditions, take the necessary precautions against moisture by placing a dry sachet of silica gel, for example, inside the instrument case.



Mount the F126-P-EL on a solid structure to avoid vibrations.

4.3. DIMENSIONS- ENCLOSURE

Aluminum enclosures:

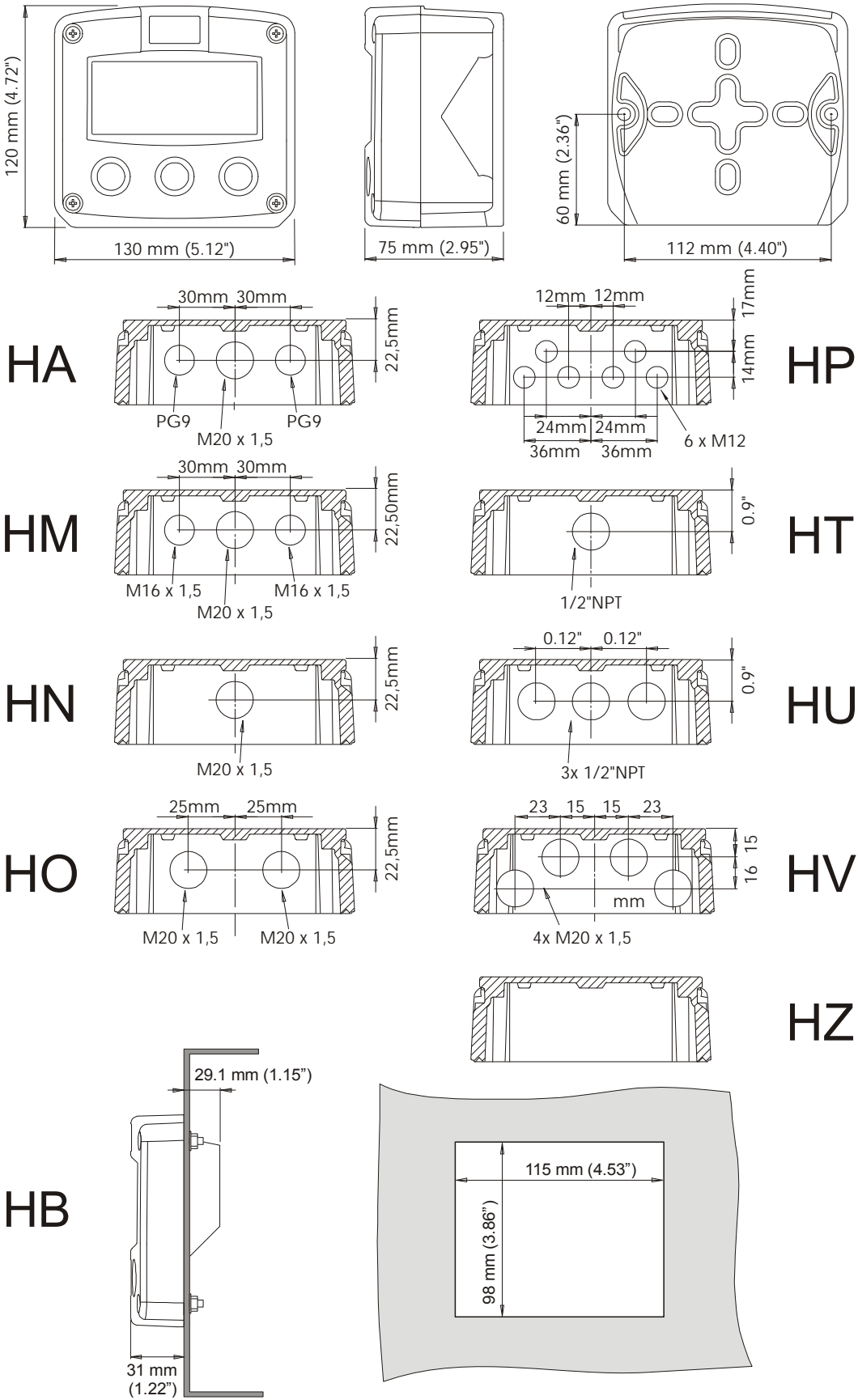
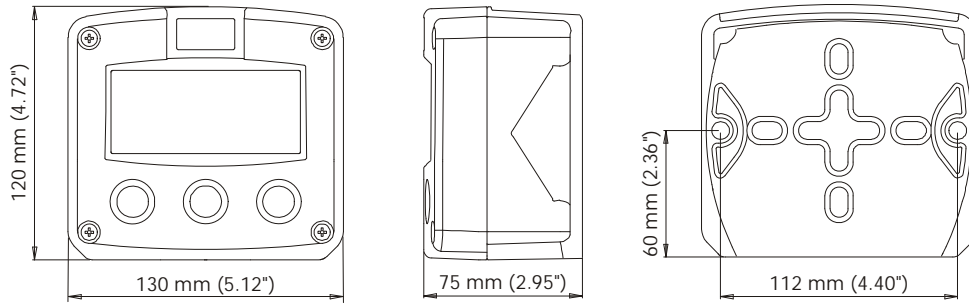
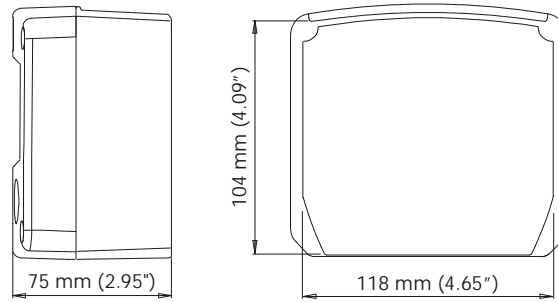


Fig. 5: Dimensions aluminum enclosures.

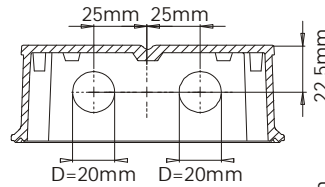
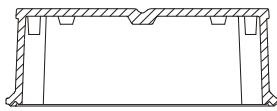
GRP enclosures:



HK back box:  
(flat bottom)

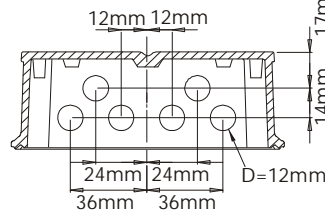
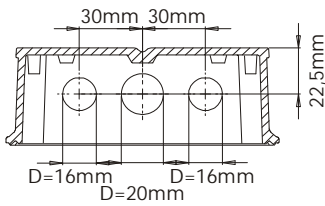


HD  
HK



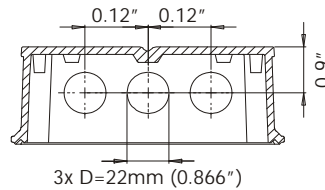
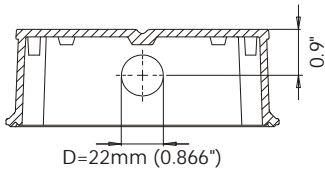
HG

HE



HH

HF



HJ

HC

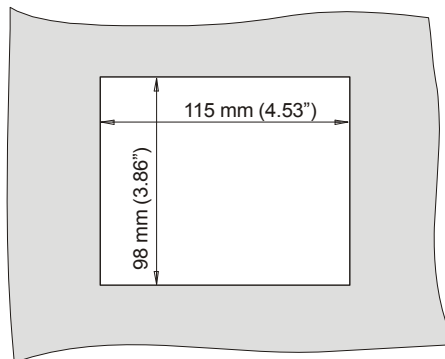
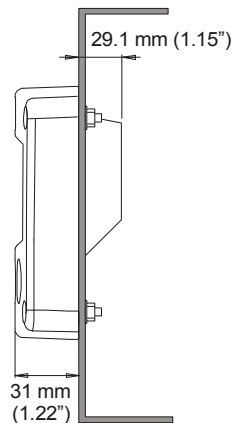


Fig. 6: Dimensions GRP enclosures.

#### 4.4. INSTALLING THE HARDWARE



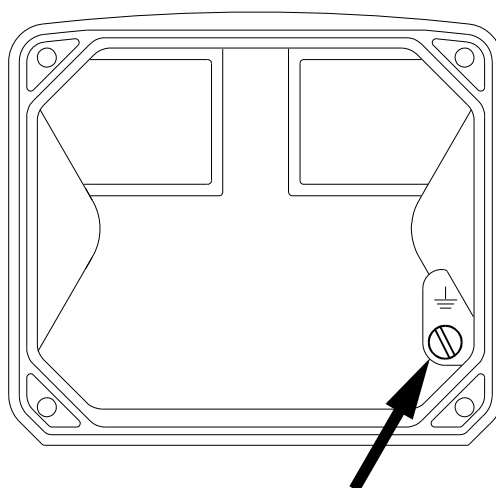
##### 4.4.1. INTRODUCTION

- Electro static discharge does inflict irreparable damage to electronics! Before installing or opening the unit, the installer has to discharge himself by touching a well-grounded object.
- This unit must be installed in accordance with the EMC guidelines (Electro Magnetic Compatibility).



##### Aluminum enclosures

- When installed in an aluminum enclosure and a potentially explosive atmosphere requiring apparatus of equipment protection level Ga and Da, the unit must be installed such that, even in the event of rare incidents, an ignition source due to impact or friction sparks between the enclosure and iron/steel is excluded.
- Do ground the aluminum enclosure properly as indicated, if the F126-P-EL has been supplied with the 115-230V AC power-supply type PM. The green / yellow wire between the back-casing and removable terminal-block may never be removed.



*Fig. 7: Grounding aluminum enclosure with type PM 115-230V AC.*

#### FOR INSTALLATION, PAY EMPHATIC ATTENTION TO:

- Separate cable glands with effective IP67 (NEMA4X) seals for all wires.
- Unused cable entries: ensure that you fit IP67 (NEMA4X) plugs to maintain rating.
- A reliable ground connection for both the sensor, and if applicable, for the metal casing.
- An effective screened cable for the input signal, and grounding of its screen to terminal 9 (GND) or at the sensor itself, whichever is appropriate to the application.

4.4.2. VOLTAGE SELECTION SENSOR SUPPLY

For *Intrinsically Safe* applications: read chapter 5.

**Type PB / PC / PX (AP) - battery powered and output loop-powered applications:**

Terminal 11 provides a limited supply voltage of 3.2 V DC (coil signals 1.2V) for the signal output of the flowmeter.



**Note:** This voltage MAY NOT be used to power the flowmeters electronics, converters etc, as it will not provide adequate sustained power ! All energy used by the flowmeters pick-up will directly influence the battery life-time. It is strongly advised to use a "zero power" pickup such as a coil or reed-switch when operating without external power. It is possible to use some low power NPN or PNP output signals, but the battery life time will be significantly reduced (consult your distributor).

**Type PD / PF / PM: Sensor supply: 1.2 - 3.2V - 8.2V - 12V or 24 V DC:**

With this option, a real power supply for the sensor is available. The flowmeter can be powered with 8.2 - 12 or 24 V DC.

Total power consumption PD: max. 50mA@24V and PF / PM: max. 400mA@24V.

The voltage is selected with the three switches inside the enclosure.



- **Warning:** be sure that all the leads to the terminals are disconnected from the unit when the internal plastic protection cover has been removed !
- **HIGH VOLTAGE 400V !! NEVER connect the mains power supply to the unit when the plastic protection cover has been removed !!!**

First, remove the terminal strip(s) after which the internal plastic cover can be removed. The switches are located in the top left corner (type PD) or on the right hand (type PF / PM) as indicated:

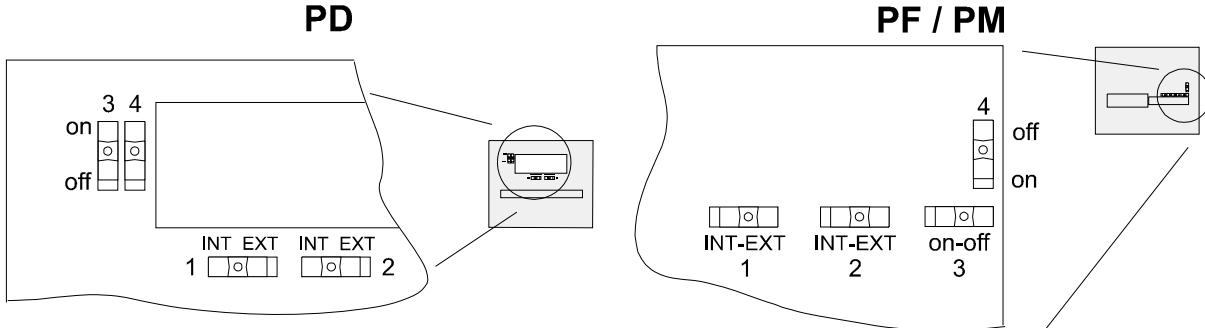


Fig. 8: Switch setting sensor supply voltage.

**Switch positions**

SENSOR A	
SWITCH 1	VOLTAGE
internal	3.2 V DC
external	switch 3+4

SENSOR B	
SWITCH 2	VOLTAGE

VOLTAGE SELECTION		
SWITCH 3	SWITCH 4	VOLTAGE
on	on	8.2 V DC
on	off	12 V DC
off	off	23 V DC

**Function switch 1:** voltage selection sensor A - terminal 11.

**Function switch 2:** not available.

**Function switch 3+4:** the combination of these switches determine the voltage as indicated. Do move switch 1 to the OFF position to enable the selected voltage with switch 3+4.



### 4.4.3. TERMINAL CONNECTORS

For *Intrinsically Safe* applications: read chapter 5.

The following terminal connectors are available:

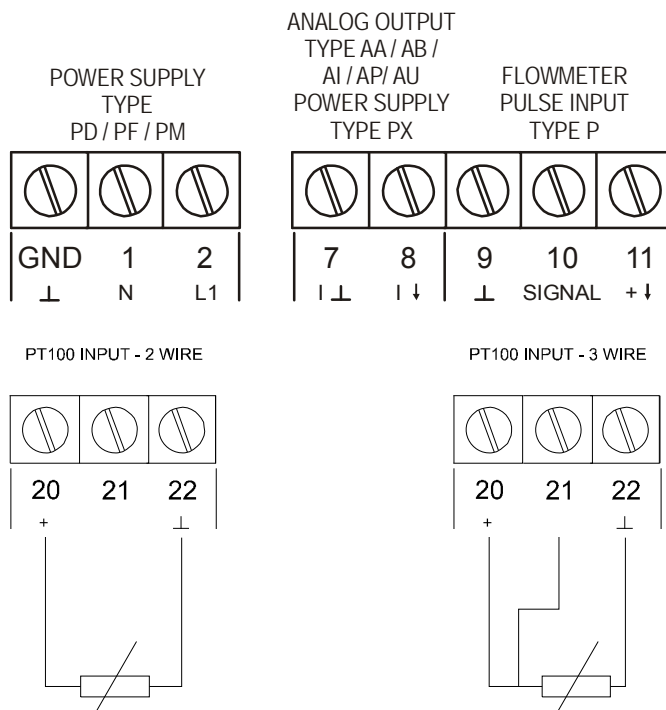


Fig. 9: Overview of terminal connectors standard configuration F126-P-EL-TP and options.

#### REMARKS: TERMINAL CONNECTORS:

**Terminal GND- 01- 02: Power Supply - only available with type PD / PF or PM:**

TYPE	SENSOR SUPPLY	Terminal			backlight	TYPE AA	TYPE AU		
		GND	01	02					
PD 8-24V AC	8,2-12-24V max. 50mA		AC	AC	◇	◇	◇		
PD 8-30V DC	8,2-12-24V max. 50mA	L-	L+		◇	◇	◇		
PF 24V AC ± 15%	8,2-12-24V max. 400mA		AC	AC	◇	◇	◇		
PF 24V DC ± 15%	8,2-12-24V max. 400mA	L-	L+		◇	◇	◇		
PM 115-230V AC ± 15%	8,2-12-24V max. 400mA	EARTH	AC	AC	◇	◇	◇		
Note PD	do not use a AC autotransformer (Spartrafo) without a galvanic isolation.								
Note PF / PM	The total consumption of the sensors and outputs may not exceed 400mA@24V								

◇=option



**Note: for power supply type PX: please read Terminal 07-08 !**

**Terminal 07-08; basic POWER SUPPLY - type PX - output loop powered:**

Connect an external power supply of 8-30VDC to these terminals or a 4-20mA loop.

Do connect the "-" to terminal 7 and the "+" to terminal 8. When power is applied to these terminals, the (optional) internal battery will be disabled / enabled automatically to extend the battery life time.



Caution! *Only valid for standard passive output type AP!*

**Terminal 07-08 analog output (SETUP 7) :**

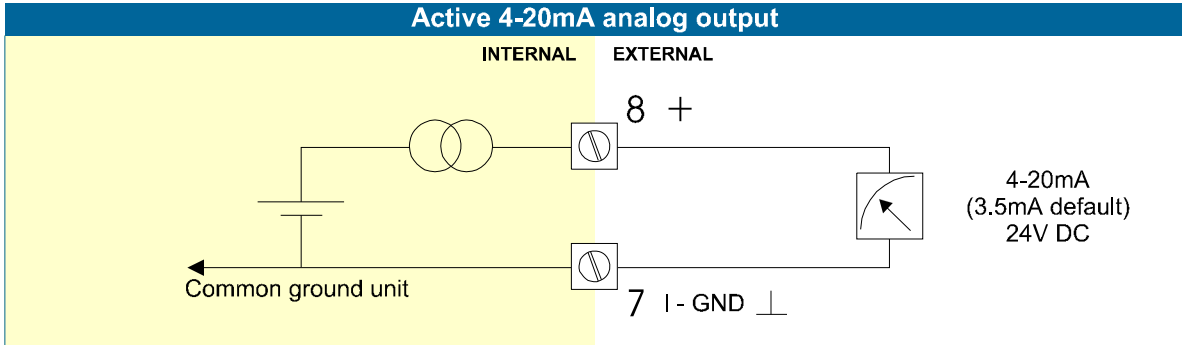
An analog output signal proportional to the flowrate is available as standard.

**Type AA:**

An active 4-20mA signal proportional to the flowrate is available with this option.

When the output is disabled, a 3.5mA signal will be generated on these terminals.

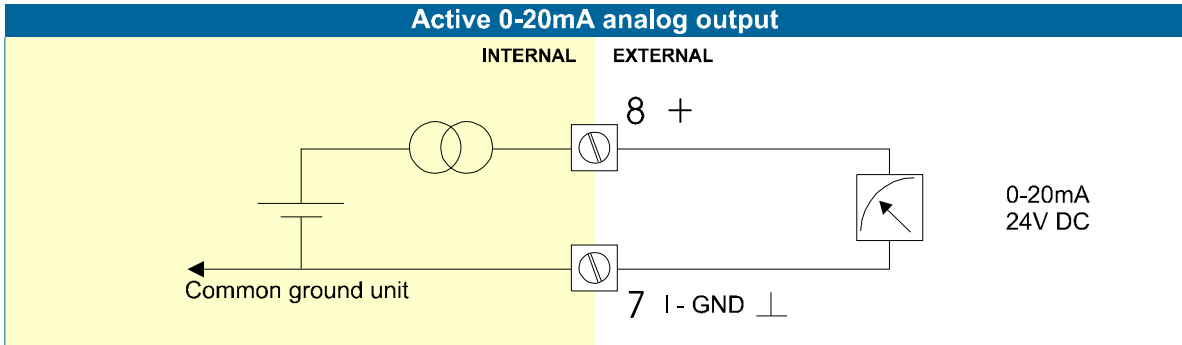
Max. driving capacity 1000 Ohm @ 24VDC. (Requires power supply type PD / PF / PM).



**Type AB:**

An active 0-20mA signal proportional to the flowrate is available with this option.

Max. driving capacity 1000 Ohm @ 24VDC. (Requires power supply type PD / PF / PM).



**Type AF:**

For the Intrinsically Safe floating 4-20mA signal: please read Chapter 5.

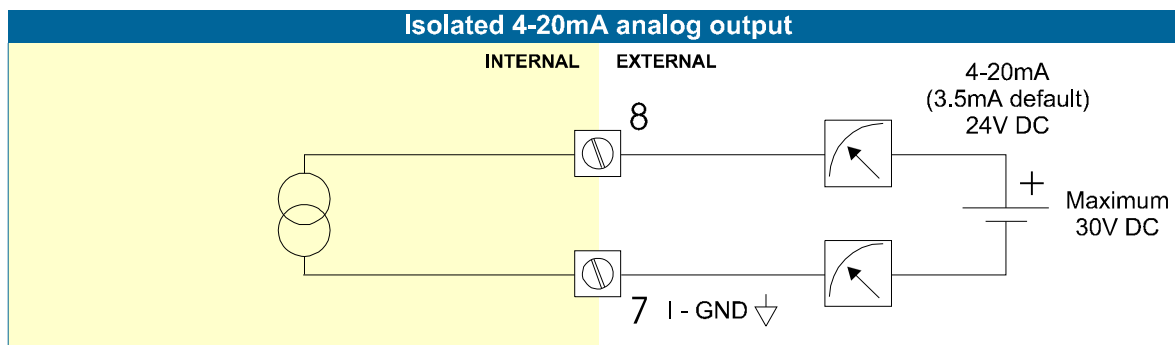
**Type AI:**

An isolated 4-20mA signal proportional to the flowrate is available with this option.

When the output is disabled, a 3.5mA signal will be generated on these terminals.

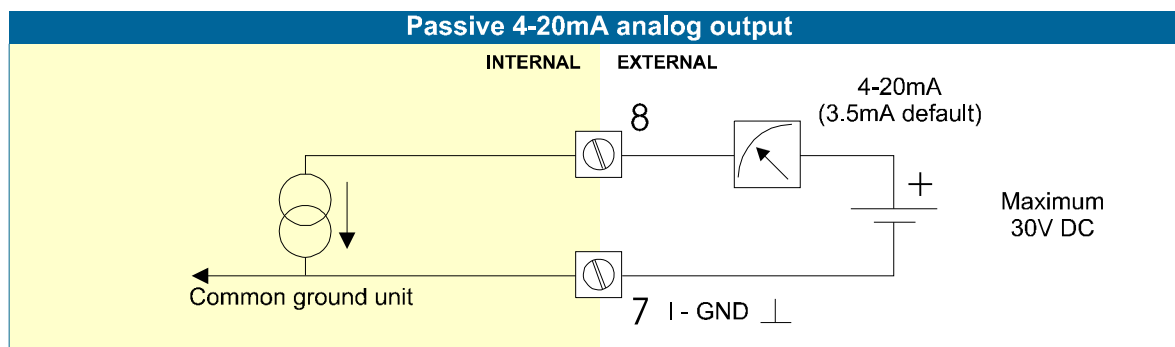
Max. driving capacity 1000 Ohm @ 30VDC.

This option can be used with a battery powered unit but the life time of the battery is about 2 -3 years.

**Type AP:**

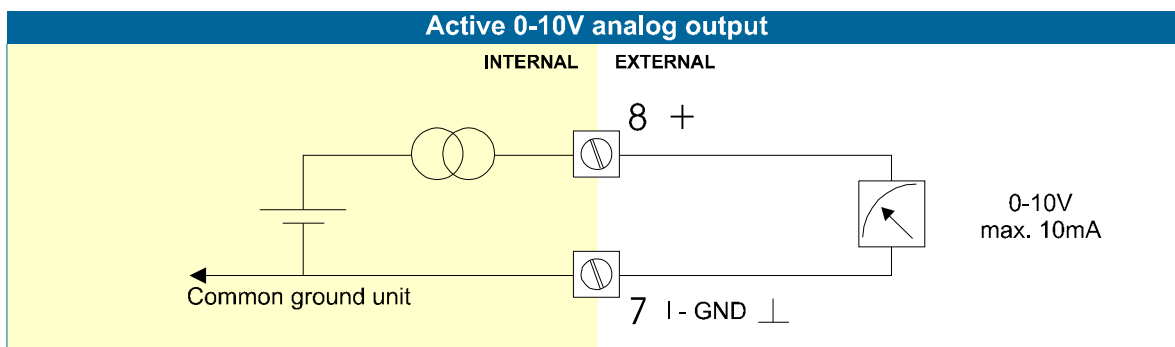
A passive 4-20mA signal proportional to the flowrate is available with this option. When a power supply is connected but the output is disabled, a 3.5mA signal will be generated.

Max. driving capacity 1000 Ohm. This output does loop power the unit as well (type PX).

**Type AU:**

A 0-10VDC signal proportional to the flowrate is available with this option.

Max. load 10mA @ 10VDC. (Requires power supply type PD / PF / PM).



**Terminal 09-11; Flowmeter input:**

Three basic types of flowmeter signals can be connected to the unit: pulse, active pulse or sine-wave (coil). The screen of the signal wire must be connected to the common ground terminal 09 (unless earthed at the sensor itself).

The maximum input frequency is approximately 10 kHz (depending on the type of signal). The input signal type has to be selected with the correct SETUP-function (read par. 3.2.3.)

**Sine-wave signal (Coil):**

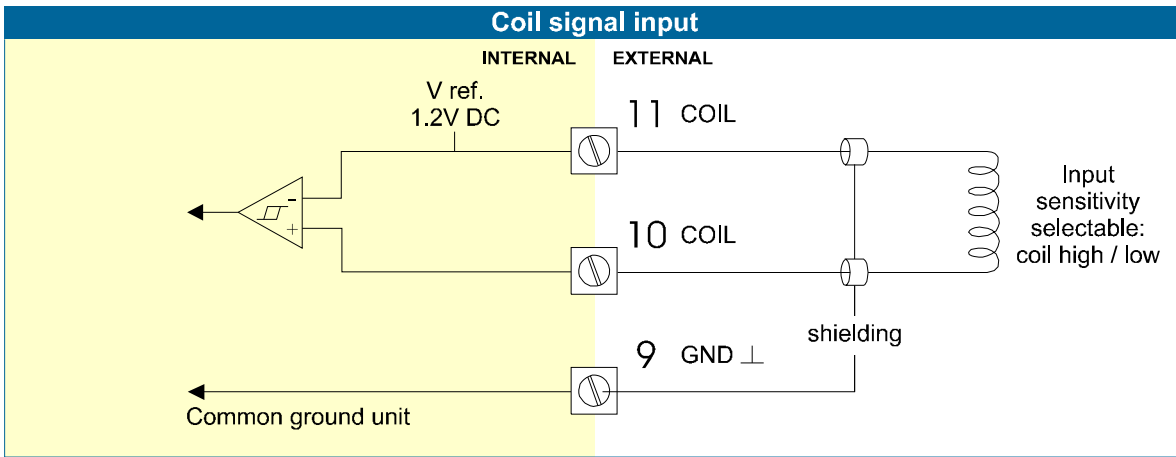
The F126-P-EL is suitable for use with flowmeters which have a coil output signal. Two sensitivity levels can be selected with the SETUP-function:

COIL LO: sensitivity from about 120mVp-p.

COIL HI: sensitivity from about 20mVp-p.

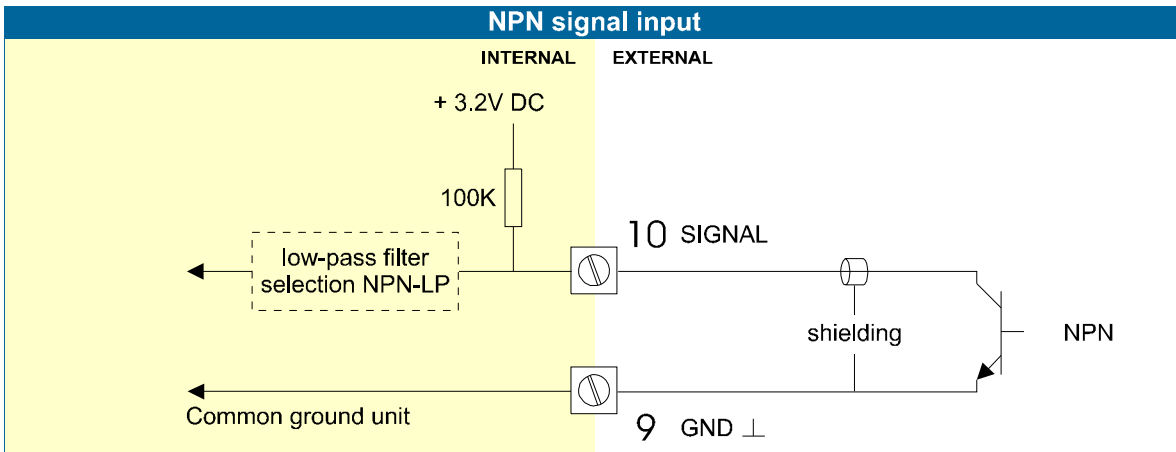
Type ZF offers for setting COIL HI : sensitivity from about 10mVp-p.

Type ZG offers for setting COIL HI : sensitivity from about 5mVp-p.



**Pulse-signal NPN / NPN-LP:**

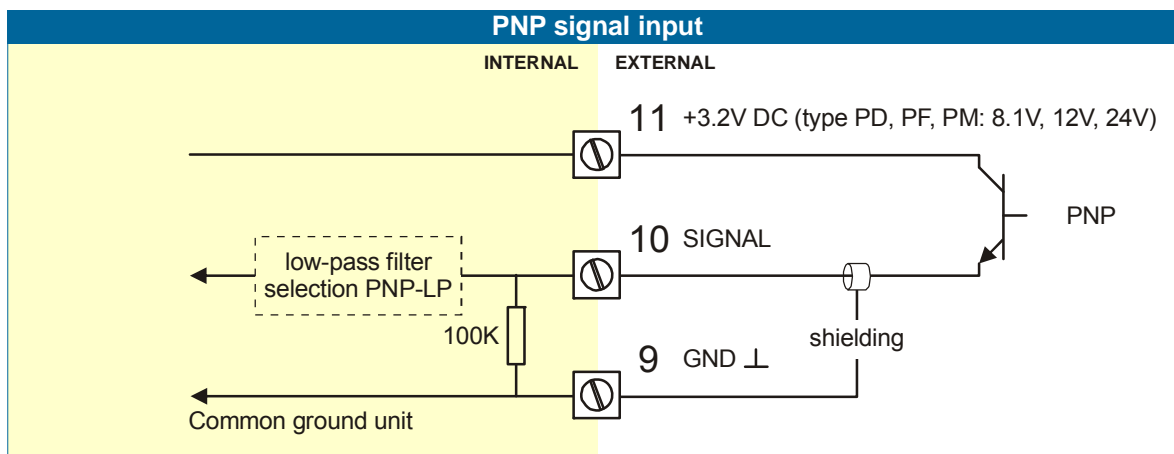
The F126-P-EL is suitable for use with flowmeters which have a NPN output signal. For reliable pulse detection, the pulse amplitude has to go below 1.2V. Signal setting NPN-LP employs a low-pass signal noise filter, which limits the maximum input frequency - read par. 3.2.3.



**Pulse-signal PNP / PNP-LP:**

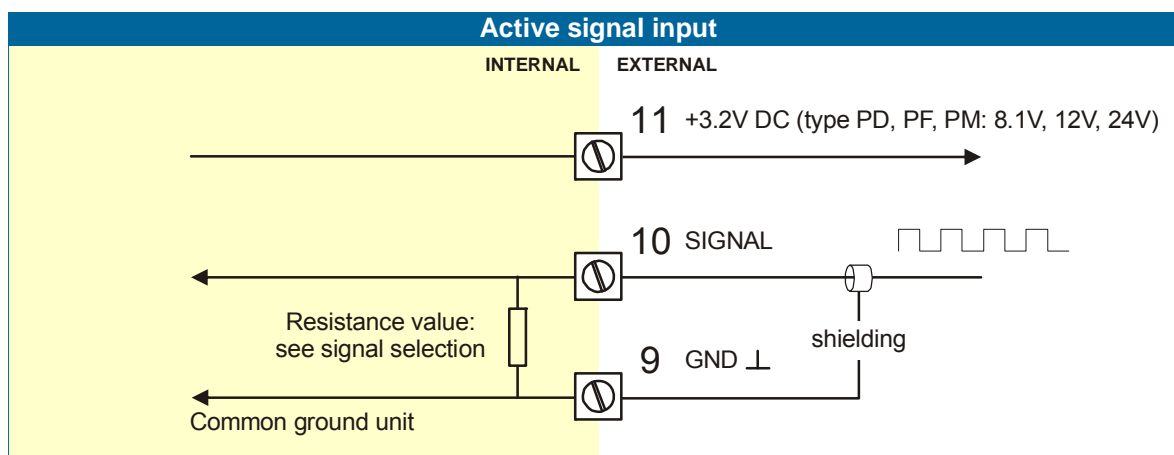
The F126-P-EL is suitable for use with flowmeters which have a PNP output signal. 3.2V is offered on terminal 11 which has to be switched by the sensor to terminal 10 (SIGNAL). For a reliable pulse detection, the pulse amplitude has to go above 1.2V. Signal setting PNP-LP employs a low-pass signal noise filter, which limits the maximum input frequency - read par. 3.2.3.

A sensor supply voltage of 8.1, 12 or 24V DC can be provided with power supply type PD, PF, PM. For a signal detection level of 50% of the supply voltage: please refer to "active signals".

**Active signals 8.1V - 12V and 24V:**

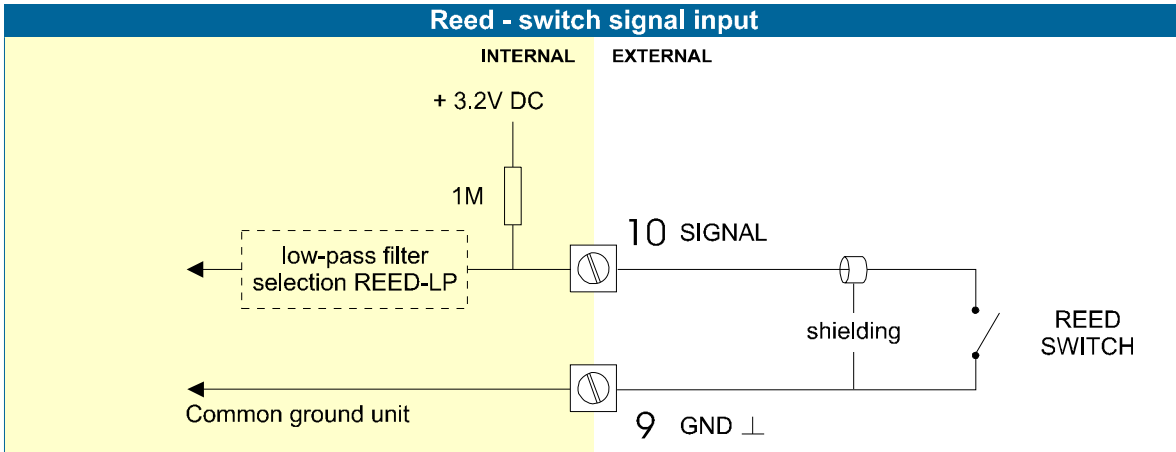
If a sensor gives an active signal, please read par. 3.2.3. The detection levels are 50% of the selected supply voltage; approximately 4V (ACT\_8.1) or 6V (ACT\_12) or 12V (ACT\_24).

Active signal selection may well be desired in the case of power supply type PD, PF, PM being supplied for sensor supply.



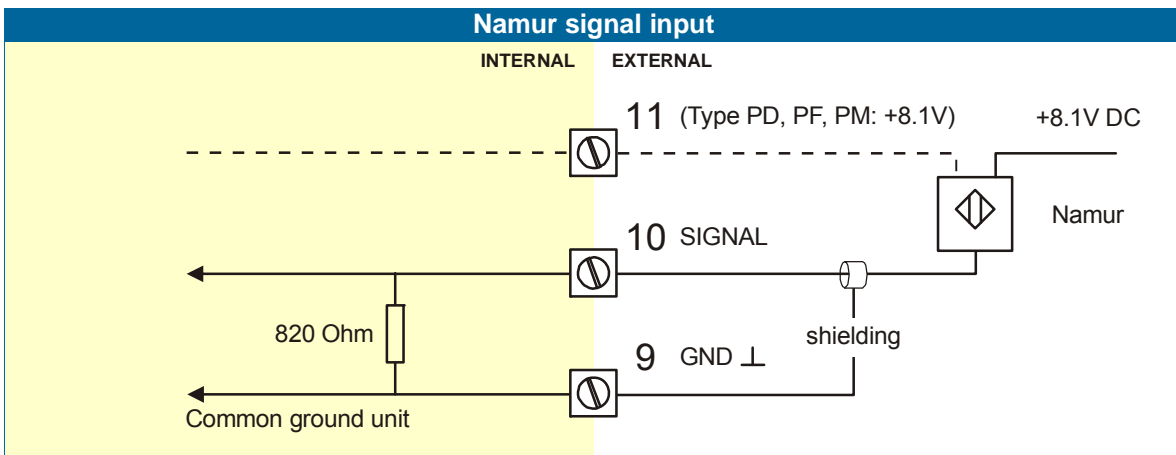
**Reed-switch:**

The F126-P-EL is suitable for use with flowmeters which have a reed-switch. To avoid pulse bounce from the reed-switch, it is advised to select REED LP - low-pass filter (read par. 3.2.3.)



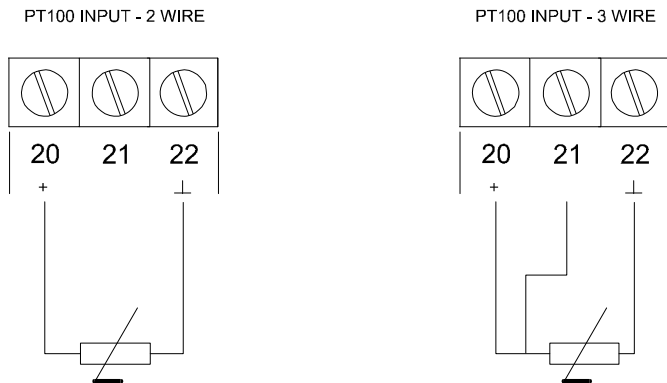
**NAMUR-signal:**

The F126-P-EL is suitable for flowmeters with an Namur signal. The standard F126-P-EL is not able to power the Namur sensor, as an external power supply for the sensor is required. However, a 8.2V sensor supply voltage (terminal 11) can be provided with power supply type PD, PF, PM.



**Terminal 20-22; Temperature input TP - PT100:**

Two types of PT100 elements can be connected to the unit: 2 or 3-wire.



**Terminal 26-31: type CB / CH / CI / CT - communication RS232 / RS485 / TTL (option)**

- Full serial communications and computer control in accordance with RS232 (length of cable max. 15 meters) or RS485 (length of cable max. 1200 meters) is possible.
- Read the Modbus communication protocol and Appendix C.

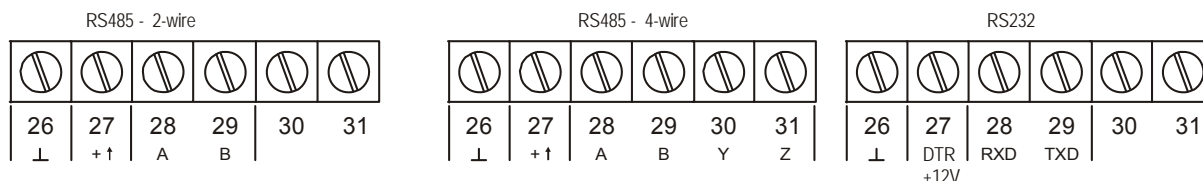


Fig. 10: Overview terminal connectors communication option.

When using the RS232 communication option, terminal 27 is used for supplying the interface. Please connect the DTR (or the RTS) signal of the interface to this terminal and set it active (+12V). If no active signal is available it is possible to connect a separate supply between terminals 26 and 27 with a voltage between 8V and 24V.

**Terminal 26-31: backlight - type ZB (option):**



**Note: if the unit is supplied with a power supply type PD, PF or PM, the backlight supply is integrated, so the text following is not applicable.**

To power the backlight, provide a 12-24V DC to terminal 26 (-) and 27 (+). An external trimmer 1kOhm trimmer can be used to tune the brightness of the backlight, or if not desired, a short-cut between these terminals have to be made which will result in the maximum brightness.



**Note: Intrinsically Safe as well as 4-wire RS485 communication is not possible in combination with type ZB.**

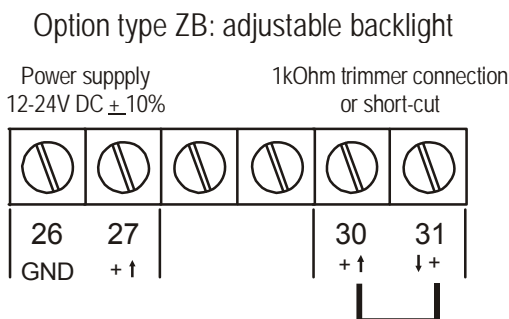


Fig. 11: Overview terminal connectors backlight option.

## 5. INTRINSICALLY SAFE APPLICATIONS

### 5.1. GENERAL INFORMATION AND INSTRUCTIONS



Caution !

#### Cautions

- Mounting, electrical installation, start-up and maintenance of this device may only be carried out by trained personnel authorized by the operator of the facility. Personnel must read and understand this Operating Manual before carrying out its instructions.
- This device may only be operated by personnel who are authorized and trained by the operator of the facility. All instructions in this manual are to be observed.
- Ensure that the measuring system is correctly wired up according to the wiring diagrams. Protection against accidental contact is no longer assured when the housing cover is removed or the cabinet has been opened (danger of electric shock). The housing may only be opened by trained personnel.
- To maintain the degree of protection of at least IP65 in accordance with IEC 60529, certified cable entries in accordance with IEC 61241-0 must be used and correctly installed. Unused openings must be closed with suitable blanking elements.
- When the enclosure of the Indicator is made of aluminum alloy, when used in a potentially explosive atmosphere requiring apparatus of equipment protection level Ga and Da, the unit must be installed such that, even in the event of rare incidents, an ignition source due to impact or friction sparks between the enclosure and iron/steel is excluded.
- Take careful notice of the " Safety rules, instructions and precautionary measures " in the front of this manual.



#### Safety Instructions

- When two or more active intrinsically safe circuits are connected to the indicator, in order to prevent voltage and/or current addition, applicable to the external circuits, precautions must be taken to separate the intrinsically safe circuits in accordance with IEC 60079-11.
- For the combined connection of the different supply, input and output circuits, the instructions in this manual must be observed.
- From the safety point of view the circuits shall be considered to be connected to earth.
- For installation under ATEX directive: this intrinsically safe device must be installed in accordance with the ATEX directive 94/9/EC and the product certificate KEMA 03ATEX1074 X.
- For installation under IECEx scheme: this intrinsically safe device must be installed in accordance with the product certificate IECEx DEK 11.0042X.
- Exchange of Intrinsically Safe battery FWLiBAT-0xx with certificate number KEMA 03ATEX1071 U or IECEx KEM 08.0005U is allowed in Hazardous Area. See paragraph 5.4. for detailed battery replacement instructions.



Note !

#### Please Note

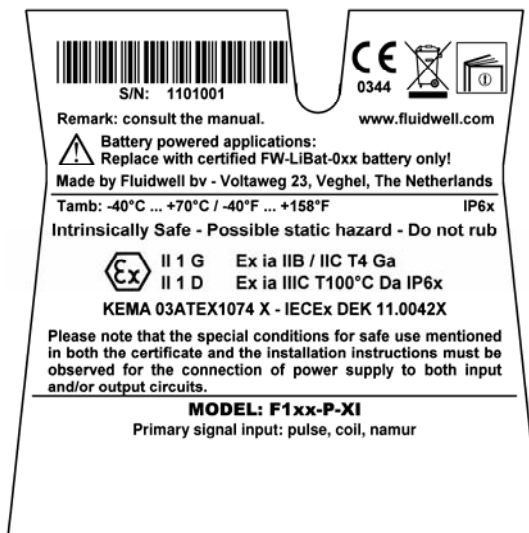
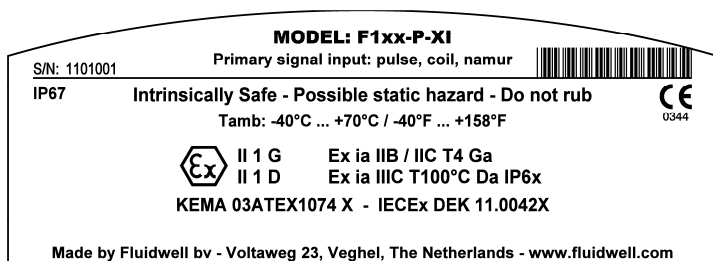
- Certificates, safety values and declaration of compliance can be found in the document named: "Fluidwell F1...-XI - Documentation for Intrinsic Safety".
- Special conditions for safe use mentioned in both the certificate and the installation instructions must be observed for the connection of power to both input and / or output circuits.
- When installing this device in hazardous areas, the wiring and installation must comply with the appropriate installation standards for your industry.
- Study the following pages with wiring diagrams per classification.



**Label information (inside and outside the enclosure)**

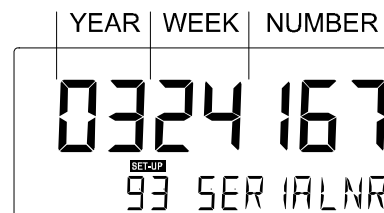
Indicated labels on the back cover (below) and on the inside cover (right) show the type labels for intrinsically safe certified units.

For details on usage see the separate “Fluidwell F1...-XI Documentation for Intrinsic Safety”.



**Serial number and year of production**

This information can be looked-up on the display: See setup function (par. 3.2.2.) for details.



**5.2. TERMINAL CONNECTORS INTRINSICALLY SAFE APPLICATIONS**



The unit is classified as group IIB/IIIC by default.

Classification of the unit as group IIC is only possible under the following conditions:

- The indicator is either supplied by
  - the internal supply (option -PC); or
  - the external supply connected to terminals 0 and 1 (option -PD); or
  - the circuit supply connected to terminals 7 and 8 (option -AP);
 The maximum values for any of those circuits are those as defined for group IIB/IIIC;
- No other active external intrinsically safe circuits may be connected to the indicator, with exception of circuits connected to terminals 3 and 4 and/or terminals 5 and 6; the maximum values for any of those circuits are those as defined for group IIB/IIIC

**Terminal connectors F126-P-EL-TP-XI:**

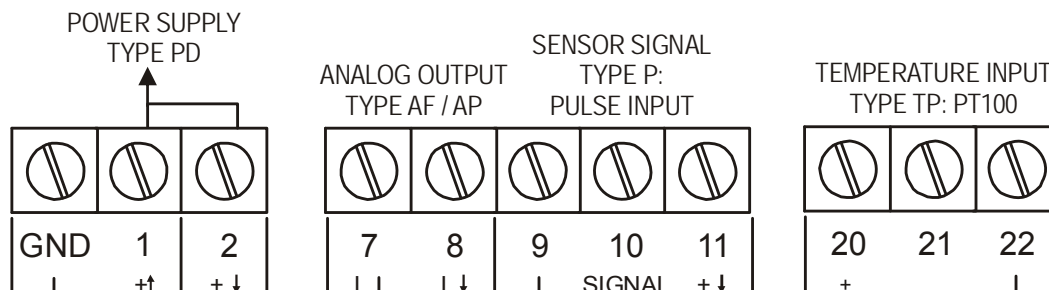
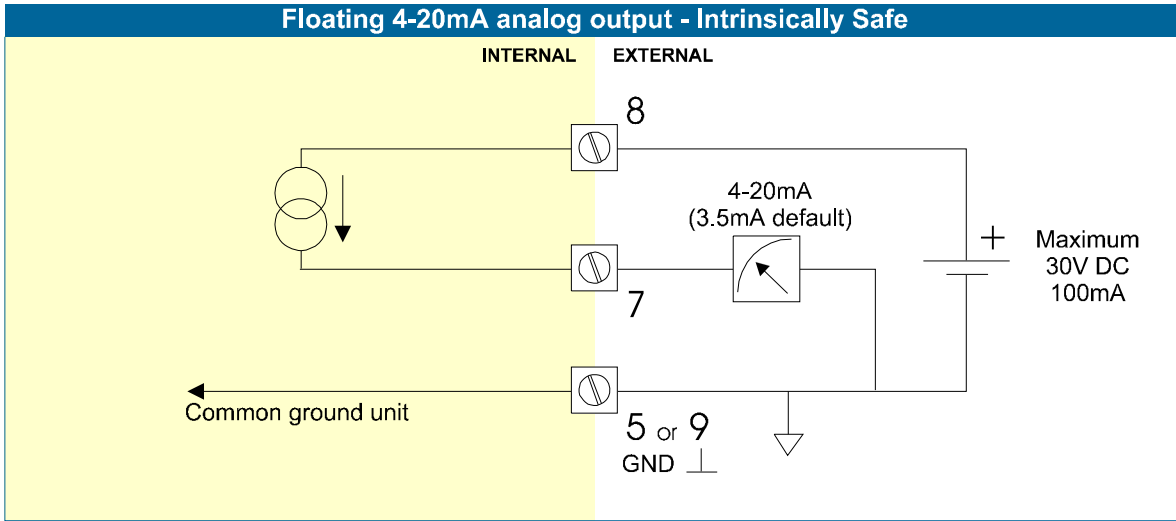


Fig. 12: Overview terminal connectors XI - Intrinsically Safe applications.

**Explanation Intrinsically Safe options:**

**Option AF - Intrinsically Safe floating 4-20mA analog output:**

A floating 4-20mA signal proportional to the flowrate is available with this option. When the output is disabled, a 3.5mA signal will be generated. Max. driving capacity 1000 Ohm @ 30V DC.



**Type PD - Intrinsically Safe power supply and sensor supply - Terminal GND- 01 and 11.**

OPTION	SENSOR SUPPLY	Terminal		
		GND	01	02
PD Input voltage: 8-30V DC	3,2 - 8,1V	L-	L+	output voltage is according the input voltage; internally linked with terminal 01.

Terminal 02: this terminal offers the same voltage as connected to terminal 01.  
 Terminal 11: this terminal offers a 3.2V or 8.1V to power the sensor.  
 This voltage is selected with the switch(es) inside the enclosure. First, remove the terminals after which the internal plastic cover can be removed.

Switch position terminal 11		Switch position no function	
SWITCH 1	VOLTAGE	SWITCH 2	
on	8.1 V DC	not available	
off	3.2 V DC		

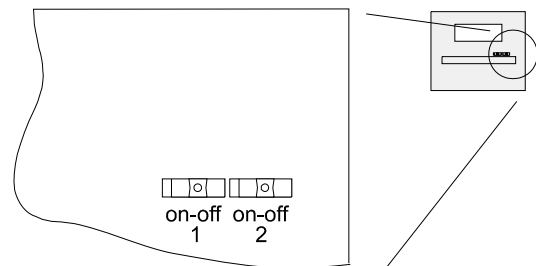


Fig. 13: Switch position voltage selection option PD-XI.

5.3 CONFIGURATION EXAMPLES

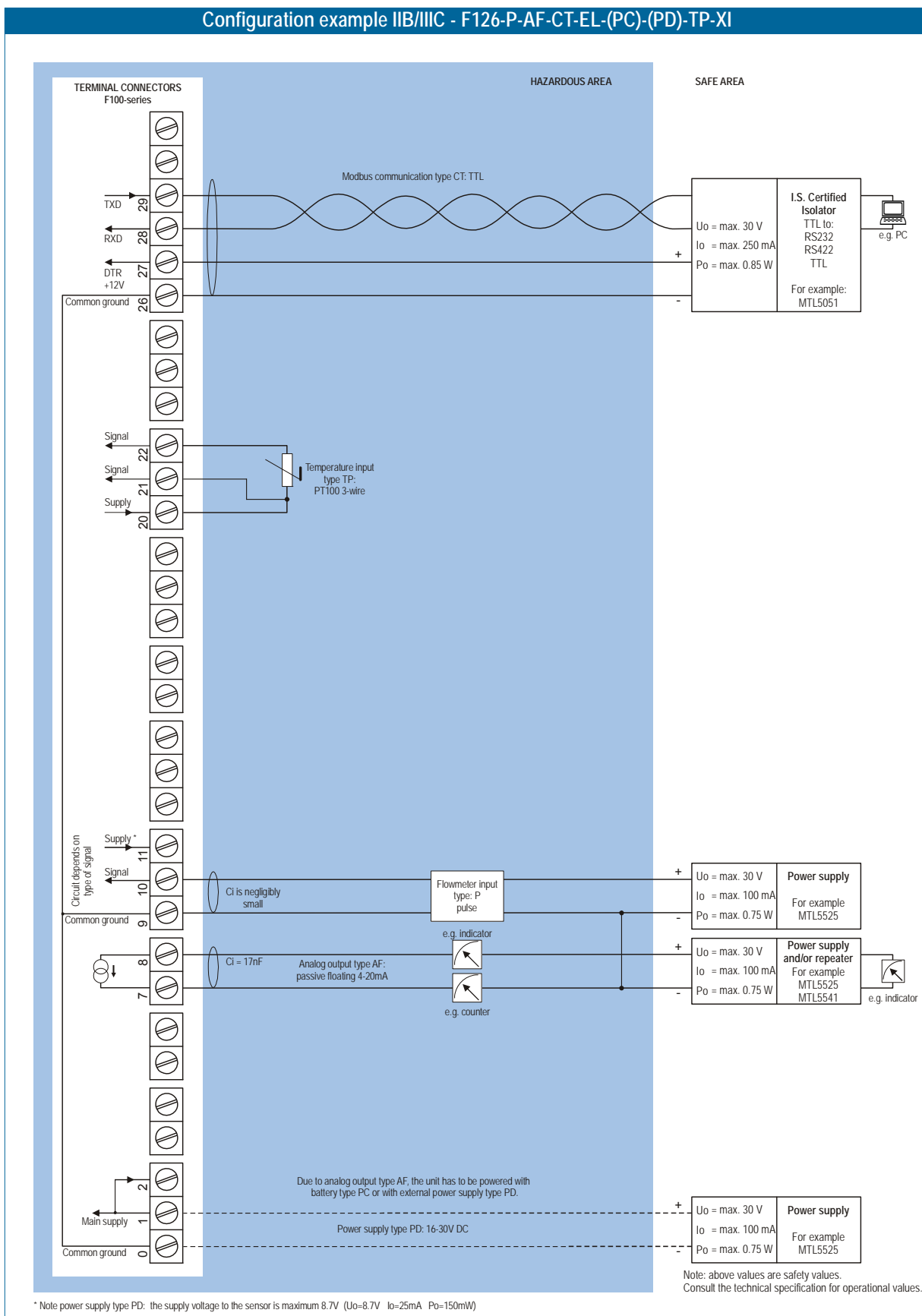


Fig. 14: Configuration example 1 Intrinsically Safe

Configuration example IIB/IIIC and IIC - F126-P-AF-(CT)-EL-PD-TP-XI

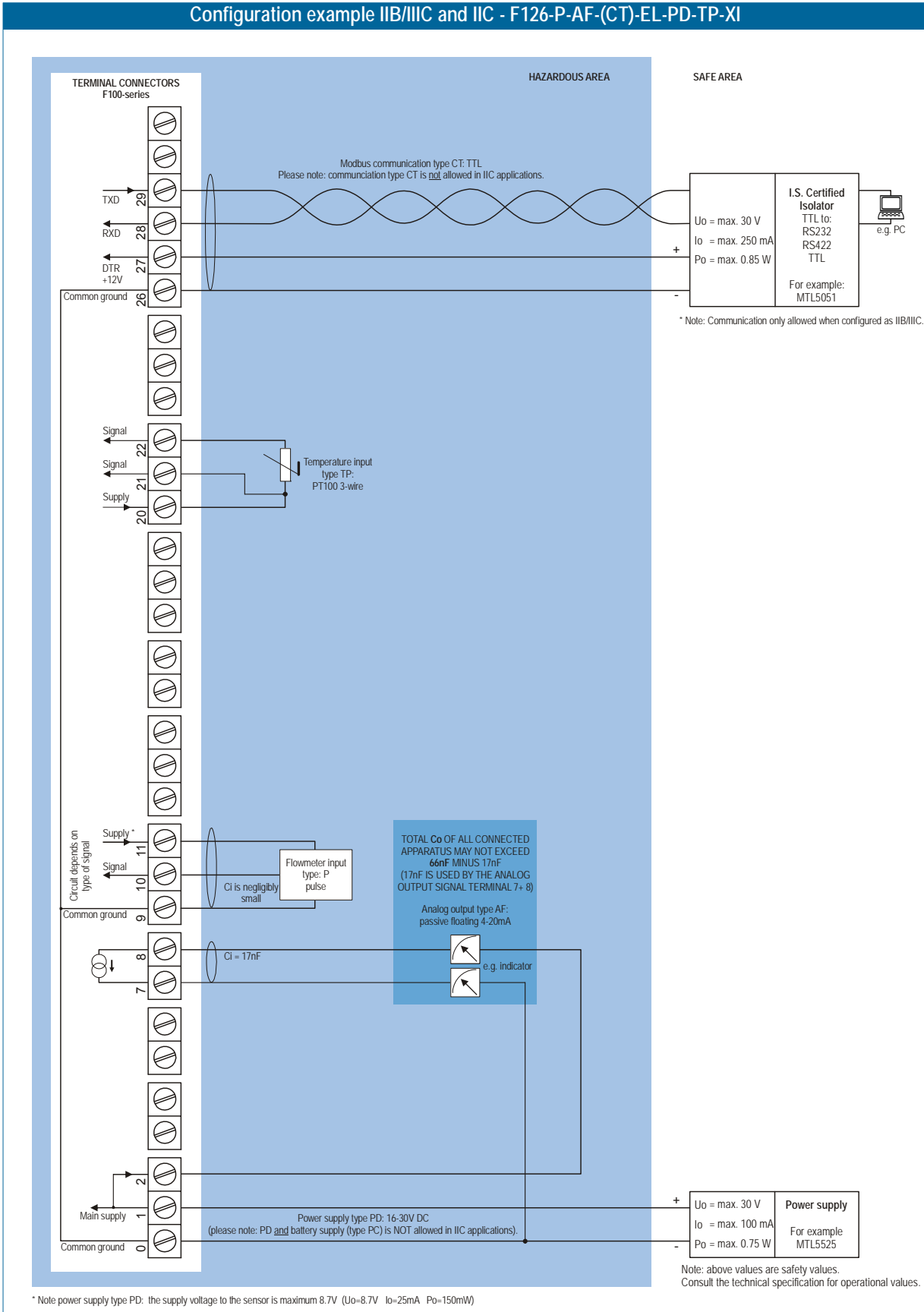


Fig. 15: Configuration example 2 Intrinsically Safe

## 5.4 BATTERY REPLACEMENT INSTRUCTIONS



### Safety Instructions

- **Fire, explosion or severe burns may result if mistreated.** Do not recharge, crush, disassemble, incinerate, heat above 100°C (212°F) or expose contents to water.
- Mounting, electrical installation, start-up and maintenance of this device may only be carried out by trained personnel authorized by the plant operator. Personnel must read and understand this instruction before carrying out the replacement procedure.
- Always follow the instructions listed in the supplied Battery Replacement Instruction Sheet.
- Batteries pose an environmental hazard. Return used batteries to a recycling point.



Caution!

### Safety instructions for hazardous areas

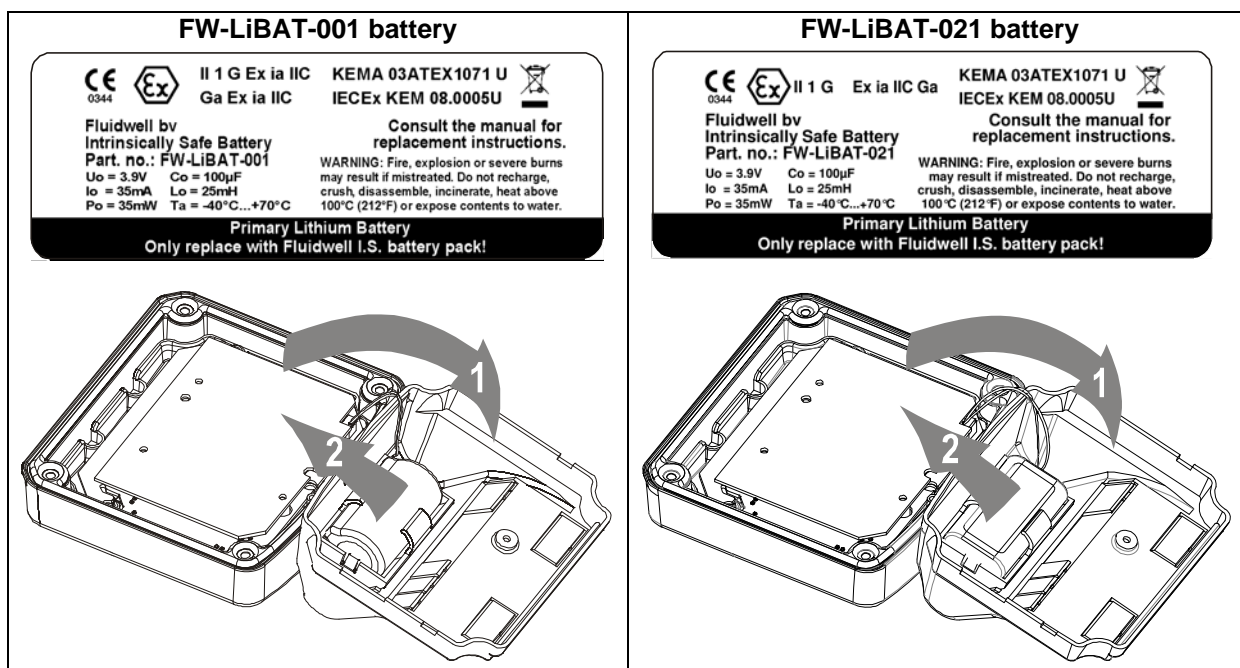
- Verify the correct battery is supplied: **Only batteries with indicated Ex label are certified for replacement and use in hazardous areas.** Batteries for use in safe areas have no Ex label. **DO NOT EXCHANGE:** Using the wrong type of battery can pose a SERIOUS RISK.
- **For use in hazardous areas Fluidwell recommends FW-LiBAT batteries (manufactured by Fluidwell bv) only.**

### Battery replacement procedure



Note!

Depending on the production batch, one of two visualized Intrinsically Safe certified battery types may have been installed in the unit. They are interchangeable.



1. To replace the battery, open the unit to gain access to the back inside cover of the unit.
2. Unplug the field connectors from the back inside of the unit.
3. Remove the screw that holds the plastic inside cover.
4. Open the cover and unplug the battery connector.
5. Remove the battery from the inside of the plastic cover. *Do not remove the battery clip!*
6. Install the new battery and re-assemble the unit in reverse order.
7. Start-up the unit

## 6. MAINTENANCE



### 6.1. GENERAL DIRECTIONS

- Mounting, electrical installation, start-up and maintenance of the instrument may only be carried out by trained personnel authorized by the operator of the facility. Personnel must read and understand this Operating Manual before carrying out its instructions.
- The F126-P-EL may only be operated by personnel who are authorized and trained by the operator of the facility. All instructions in this manual are to be observed.
- Ensure that the measuring system is correctly wired up according to the wiring diagrams. Protection against accidental contact is no longer assured when the housing cover is removed or the panel cabinet has been opened (danger from electrical shock). The housing may only be opened by trained personnel.
- Take careful notice of the " Safety rules, instructions and precautionary measures " in the front of this manual.

The F126-P-EL does not require special maintenance unless it is used in low-temperature applications or surroundings with high humidity (above 90% annual mean). It is the users responsibility to take all precautions to dehumidify the internal atmosphere of the F126-P-EL in such a way that no condensation will occur, for example by placing dry silica-gel sachet in the casing just before closing it. Furthermore, it is required to replace or dry the silica gel periodically as advised by the silica gel supplier.

#### **Battery life-time:**

It is influenced by several issues :

- Type of sensor: read chapter 3.2.3. NPN and PNP inputs consume more energy than coil inputs.
- Input frequency: the higher the frequency, the shorter the battery life-time.
- Flowrate calculation: the lower number of pulses (SETUP 26) the shorter the battery life-time.
- Analog output signal; be sure that an external power supply is connected or that the function is disabled if not in use; or else it will have a major influence on the battery life-time (SETUP 61).
- Display update: fast display update uses significantly more power; SETUP 41.
- Pulse output and communications .
- Low temperatures; the available power will be less due to battery chemistry.



**Note:** *It is strongly advised to disable unused functions.*

#### **Check periodically:**

- The condition of the casing, cable glands and front panel.
- The input/output wiring for reliability and aging symptoms.
- The process accuracy. As a result of wear and tear, re-calibration of the flowmeter and temperature sensor might be necessary. Do not forget to re-enter any subsequent K-factor or Span alterations.
- The indication for low-battery.
- Clean the casing with soapy-water. Do not use any aggressive solvents as these might damage the coating.

## APPENDIX A: TECHNICAL SPECIFICATION

### GENERAL

Display	
Type	High intensity reflective numeric and alphanumeric LCD, UV-resistant.
Digits	Seven 17mm (0.67") and eleven 8mm (0.31"). Various symbols and measuring units.
Refresh rate	User definable: 8 times/sec - 30 secs.
Type ZB	Transflective LCD with green LED backlight. Good readings in full sunlight and darkness. Note: only available for safe area applications. Power requirements: 12-24V DC + 10% or type PD, PF, PM. Power consumption max. 1 Watt.

Enclosures	
General	Die-cast aluminum or GRP (Glassfibre Reinforced Polyamide) enclosure with Polycarbonate window, silicone and EPDM gaskets. UV stabilized and flame retardant material.
Control Keys	Three industrial micro-switch keys. UV-stabilized silicone keypad.
Painting	Aluminum enclosure only: UV-resistant 2-component industrial painting.
Panel-mount enclosures	Dimensions: 130 x 120 x 60mm (5.10" x 4.72" x 2.38") – LxHxD.
Classification	IP65 / NEMA4X
Panel cut-out	115 x 98mm (4.53" x 3.86") LxH.
Type HC	GRP panel-mount enclosure
Type HB	Aluminum panel-mount enclosure
Field/wall-mount enclosures	Dimensions: 130 x 120 x 75mm (5.10" x 4.72" x 2.95") – LxHxD.
Classification	IP67 / NEMA4X
Aluminium enclosures	
Type HA	Drilling: 2x PG9 – 1x M20.
Type HM	Drilling: 2x M16 – 1x M20.
Type HN	Drilling: 1x M20.
Type HO	Drilling: 2x M20.
Type HP	Drilling: 6x M12.
Type HT	Drilling: 1x ½"NPT.
Type HU	Drilling: 3x ½"NPT.
Type HV	Drilling: 4x M20
Type HZ	No drilling.
GRP enclosures	
Type HD	No drilling.
Type HE	Drilling: 2x 16mm (0.63") – 1x 20mm (0.78").
Type HF	Drilling: 1x 22mm (0.87").
Type HG	Drilling: 2x 20mm (0.78").
Type HJ	Drilling: 3x 22mm (0.87").
Type HH	Drilling: 6x 12mm (0.47").
Type HK	Flat bottom - no drilling.


Operating temperature	
Operational	-40°C to +80°C (-40°F to +176°F)
Intrinsically Safe	-40°C to +70°C (-40°F to +158°F)

Power supply	
Type PB	Lithium battery - life-time depends upon settings - up to 5 years.
Type PC	Intrinsically Safe lithium battery - life-time depends upon settings - up to 5 years.
Type PD	8-24V AC / DC ± 10%. Power consumption max. 10 Watt. Intrinsically safe: 16-30V DC; power consumption max. 0.75 Watt.
Type PF	24V AC / DC ± 10%. Power consumption max. 15 Watt.
Type PL	Input loop powered from sensor signal 4-20mA (type A, non IS).
Type PM	115-230V AC + 10%. Power consumption max. 15 Watt.
Type PX	Output loop powered: 8-30V DC. Power consumption max. 0.5 Watt.
Note PF / PM	The total consumption of the sensors, backlight and outputs may not exceed 400mA@24V.
Note I.S. applications	For intrinsically safe applications, consult the safety values in the certificate.

Sensor excitation	
Type PB / PC / PX	3.2V DC for pulse signals and 1.2V DC for coil pick-up. Note: This is not a real sensor supply. Only suitable for pulse sensors with a very low power consumption like coils (sine wave) and reed-switches.
Type PD	1.2 - 3.2 - 8.2 - 12 and 24V DC - max. 50mA@24V DC
Type PD-XI	Intrinsically safe: Pulse signals: 1.2 - 3.2 - 8.2 - max. 7mA@8.2V DC. Analog signals: the sensor supply voltage is according to the power supply voltage connected to terminal 1. Also terminal 2 offers the same voltage.
Type PF / PM	1.2 - 3.2 - 8.2 - 12 and 24V DC - max. 400mA@24V DC.

Terminal connections	
Type:	Removable plug-in terminal strip. Wire max. 1.5mm <sup>2</sup> and 2.5mm <sup>2</sup> (Type PM / PF)

Data protection	
Type	EEPROM backup of all setting. Backup of running totals every minute. Data retention at least 10 years.
Password	Configuration settings can be password protected.

Hazardous area (option)	
Intrinsically safe Type XI	<b>ATEX approval:</b>  II 1 G Ex ia IIB/IIC T4 Ga II 1 D Ex ia IIIC T100°C Da IP6x  <b>IECEx approval:</b> Ex ia IIB/IIC T4 Ga Ex ia IIIC T100°C Da IP6x
Explosion proof Type XD/XF	ATEX approval ref.: <EX> II 2 GD EEx d IIB T5. Weight appr. 15kg. Dimensions of enclosure: 350 x 250 x 200mm (13.7" x 9.9" x 7.9") LxHxD.

Directives & Standards	
EMC	Directive 2004/108/EC, FCC 47 CFR part 15
Low voltage	Directive 2006/95/EC
ATEX / IECEx	Directive 94/9/EC, IEC 60079-0, IEC 60079-11, IEC 60079-26
IP & NEMA	EN 60529 & NEMA 250

## INPUTS

Flowmeter	
Type P	Coil/sine wave (minimum 20mVp-p or 80mVp-p - sensitivity selectable), NPN/PNP, open collector, reed-switch, Namur, active pulse signals 8 - 12 and 24V.
Frequency	Minimum 0 Hz - maximum 7 kHz for total and flowrate. Maximum frequency depends on signal type and internal low-pass filter. E.g. Reed switch with low-pass filter: max. frequency 120 Hz.
K-Factor	0.000010 - 9,999,999 with variable decimal position.
Low-pass filter	Available for all pulse signals.
Type A	(0)4-20mA - with signal calibration feature at any current within the range.
Type U	0-10 V - with signal calibration feature at any voltage within the range.
Accuracy	Resolution: 14 bit.. Error < 0.025mA / ±0.125% FS. Low level cut-off programmable.
Span	0.000010 - 9,999,999 with variable decimal position.
Update time	Four times a second.
Voltage drop	2.5 Volt.
Load impedance	3kOhm
Relationship	Linear and square root calculation.
Note	For signal type A and U: external power to sensor is required; e.g. Type PD.



<b>Temperature</b>	
Type TP	2 or 3 wire PT100.
Standard	range: -100°C to +200°C (-148°F to 392°F) - accuracy 0.1 °C (0.18°F).
Update time	four times a second.
Note	The linearity is internally compensated.
Type ZV	range: -200°C to +800°C (-328°F to 1832°F) - accuracy 0.5 °C (0.9°F).
Type TA	(0)4-20mA - with signal calibration feature at any current within the range.
Type TU	0-10 V - with signal calibration feature at any voltage within the range.
Accuracy	Resolution: 14 bit.. Error < 0.025mA / ±0.125% FS. Low level cut-off programmable.
Span	0.000010 - 9,999,999 with variable decimal position.
Update time	Four times a second.
Voltage drop	2.5 Volt @ 20mA.
Load impedance	3kOhm
Note	For signal type TA and TU: external power to sensor required; e.g. Type PD.

## OUTPUTS

<b>Analog output</b>	
Function	transmitting compensated flowrate.
Accuracy	10 bit. Error < 0.05% - update 10 times a second. Software function to calibrate the 4.00mA and 20.00mA levels precisely within set-up.
Load	max. 1 kOhm
Type AA	Active 4-20mA output (requires type OA + PD, PF or PM).
Type AB	Active 0-20mA output (requires type OA + PD, PF or PM).
Type AF	Passive floating 4-20mA output for Intrinsically Safe applications (requires PC, PD or PL).
Type AI	Passive galvanically isolated output (requires PB, PD, PF, PL or PM).
Type AP	Passive 4-20mA output - output loop powered (type PX).
Type AU	Active 0-10V output (requires type OA + PD, PF or PM).

<b>Communication option</b>	
Functions	reading display information, reading / writing all settings.
Protocol	Modbus RTU
Speed	1200 - 2400 - 4800 - 9600 baud
Addressing	maximum 255 addresses.
Type CB	RS232
Type CH	RS485 2-wire
Type CI	RS485 4-wire
Type CT	TTL Intrinsically Safe communication.
Type CX	no communication.

## OPERATIONAL

<b>Operator functions</b>	
Displayed functions	<ul style="list-style-type: none"> <li>compensated total and/or compensated flowrate.</li> <li>compensated total and compensated accumulated total.</li> <li>line temperature.</li> <li>compensated total can be reset to zero by pressing the CLEAR-key twice.</li> </ul>
<b>Total</b>	
Digits	7 digits.
Units	L, m3, GAL, USGAL, KG, lb, bbl, no unit.
Decimals	0 - 1 - 2 or 3.
Note	total can be reset to zero.
<b>Accumulated total</b>	
Digits	11 digits.
Units / decimals	according to selection for total.
<b>Flowrate</b>	
Digits	7 digits.
Units	mL, L, m3, Gallons, KG, Ton, lb, bl, cf, RND, ft3, scf, Nm3, NI, ical - no units.
Decimals	0 - 1 - 2 or 3.
Time units	/sec - /min - /hr - /day.
<b>Line temperature</b>	
Digits	7 digits.
Units	°C, °F or K
Decimals	1
Normal temperature	default: 273.15 K - any temperature can be set.
<b>Flow equations</b>	
Type EL	corrected liquid volume
Formula	$Q_{normal} = Q * (1 + \alpha * (T_{normal} - T))$ where $\alpha$ = thermal expansion coefficient.

## APPENDIX B: PROBLEM SOLVING

In this appendix, several problems are included that can occur when the F126-P-EL is going to be installed or while it is in operation.

### Flowmeter does not generate pulses:

Check:

- Signal selection SETUP - 41,
- Pulse amplitude (par. 4.4.3.),
- Flowmeter, wiring and connection of terminal connectors (par. 4.4.3.),
- Power supply of flowmeter (par. 4.4.2.).

### Flowmeter generates "too many pulses":

Check:

- Settings for total and Flowrate: SETUP 11-14 and 21-27,
- Type of signal selected with actual signal generated - SETUP - 41,
- Sensitivity of coil input - SETUP - 41 and par. 4.4.3.
- Proper grounding of the F126-P-EL - par. 4.4.1.
- Use screened wire for flowmeter signals and connect screen to terminal 9. (unless connected at sensor)

### Analog output does not function properly:

Check:

- SETUP 71 - is the function enabled?
- SETUP 72 / 73: are the flow-levels programmed correctly?
- connection of the external power-supply according to the specification.

### Flowrate displays "0 / zero" while there is flow (total is counting):

Check:

- SETUP 22 / 25: are the K-factor and time unit correct?
- SETUP 26 / 27: The unit has to count the number of pulses according to SETUP 26 within the time according to SETUP 27. Make sure that 27 is set to 10.0 seconds for example : the result is that the unit has at least 10 seconds time to measure the number of pulses according to SETUP 26.

### The pass code is unknown:

If the pass code is not 1234, there is only one possibility left: call your supplier.

### ALARM

When the alarm flag starts to blink an internal alarm condition has occurred. Press the "select button" several times to display the 5-digit error code. The codes are:

0001: irrecoverable display-data error: data on the display might be corrupted.

0002: irrecoverable data-storage error: the programming cycle might have gone wrong: check programmed values.

0003: error 1 and error 2 occurred simultaneously

The alarm condition will almost certainly be handled internally and if all mentioned values still appear correct, no intervention by the operator is needed. If the alarm occurs more often or stays active for a longer time, please contact your supplier.

## APPENDIX C: COMMUNICATION VARIABLES

### GENERAL

The tables below show the various variables that can be used for communication. The F126-P-EL is fitted with the Modbus communication protocol and can be equipped with various physical interfaces like RS485 and RS232 (please see device datasheet for available options).

Currently, the functions supported are function 3 Read Holding Registers (4X references) and function 16 Preset Multiple Registers (4X references). The shown communication variables, indicated by the column VAR, show protocol addressed in decimal representation, followed by its hexadecimal representation (0x0000). When the PLC address range is required (4X references typically used by PLCs), please add a value of 40001 to the protocol address. E.g. reading the serial number with PLC-based addressing means reading 165 + 40001 = register 40166.

Variables spanning multiple registers use 'little-endian' data representation. This means that the lowest register holds the least significant word of the variable. Although most Modbus masters will support variables that span 2 registers, variables spanning more registers sometimes require you to manually calculate the resulting value.

Following example shows how data is represented and how this calculation can be accomplished:

*For a total-value of 158928, the following register data has been received by the Modbus master:*

*register 566 = 0x6CD0 = 27856*

*register 567 = 0x0002 = 2*

*register 568 = 0x0000 = 0*

*If we interpret this as a long integer value, it's value would be: 0x0000.0002.6CD0 = 158928.*

*If this value needs to be calculated: 0\*65536\*65536 + 2\*65536 + 27856 = 158928.*

For additional information regarding using your Fluidwell Modbus device, please read the 'Fluidwell General Modbus Communication Protocol' and 'Modbus troubleshooting guide' that are available through our website or your distributor.

### RUNTIME VARIABLES OF THE F126-P-EL

VAR	RUN-TIME VALUES	REGs	R/W	TYPE	VALUE / REMARKS
572 0x23C	flow rate	2	r	uint32	0...9999999 Representation: unit, time, decimals depending on variables 48, 49, 50
566 0x236	total	3	r	uint48	0...99999999999 Representation: unit, decimals depending on variables 32, 33
560 0x230	accumulated total	3	r	uint48	0...999999999999999 Representation: unit, decimals depending on variables 32, 33
37 0x025	error status	1	r	uint16	Bitfield: 0x0001=Display error 0x0002=EEPROM error 0x0004=PT100 measurement error 0x0010=Correction factor calculation error (out of bounds) 0x0040=Totalizer calculation error (out of bounds)

#### Reading flowrate, total or accumulated total:

The returned values are given including the decimals and represent the actual value. The given value may differ from the value that is displayed on the display – this is due to the fact that the display is limited in the number of digits and may have a slower update rate set.

For example when two decimals are selected for total and total has a value of 123456,78 the display will show 23456,78 while communication will read a "total" of 12345678 and a "total decimals" of 2.

Clearing total: It is possible to clear the total counter by means of writing a value of 0 to all the 3 registers of total in a single write action. Writing any other value will result in the reply of an error message.

## SETUP VARIABLES OF THE F126-P-EL

VAR	TOTAL	REGs	R/W	TYPE	VALUE / REMARKS
32 0x020	unit	1	r/w	uint8	0=none      1=L      2=m3 3=kg        4=lb      5=gal 6=usgal     7=bbbl
33 0x021	decimals	1	r/w	uint8	0...3
34 0x022	K-factor	2	r/w	uint32	1...9999999 Representation: 0.000010...9999999 depending on variable 54: decimals K-factor.
37 0x025	decimals K-factor	1	r/w	uint8	0...6
VAR	FLOWRATE	REGs	R/W	TYPE	VALUE / REMARKS
48 0x030	unit	1	r/w	uint8	0=mL        1=L        2=m3 3=mg        4=g        5=kg 6=ton        7=gal      8=bbbl 9=lb        10=cf      11=rev 12=none     13=scf     14=NM3 15=NL       16=p
49 0x031	time unit	1	r/w	uint8	0=sec       1=min      2=hour 3=day
50 0x032	decimals	1	r/w	uint8	0...3
51 0x033	K-factor	2	r/w	uint32	1...9999999 Representation: 0.000010...9999999 depending on variable 54: decimals K-factor.
54 0x036	decimals K-factor	1	r/w	uint8	0...6
71 0x047	period time	2	r/w	uint16	1...9999 steps of 100ms
62 0x03E	filter	1	r/w	uint8	1...99
VAR	DISPLAY	REGs	R/W	TYPE	VALUE / REMARKS
64 0x040	display function	1	r/w	uint8	0=total      1=flowrate
VAR	POWERMAN.	REGs	R/W	TYPE	VALUE / REMARKS
80 0x050	LCD update time	1	r/w	uint8	0=fast       1=1sec     2=3sec 3=15sec      4=30sec    5=off
81 0x051	power mode	1	r/w	uint8	0=operational   1=shelf
VAR	FLOWMETER	REGs	R/W	TYPE	VALUE / REMARKS
96 0x060	flowmeter signal	1	r/w	uint8	0=npn        1=npn-lp    2=reed 3=reed LP    4=pnp       5=pnp-lp 6=namur      7=coil hi   8=coil lo 9=act.8.1V   10=act. 12V 11=act.24V
VAR	TEMPERATURE A/B	REGs	R/W	TYPE	VALUE / REMARKS
144 0x08D	number of wires	1	r/w	uint8	0= 2 wires 1= 3 wires
99 0x063	filter	1	r/w	uint8	0...99
528 0x210	display	1	r/w	uint8	0= °C        1= °F       2= K

VAR	FORMULA	REGs	R/W	TYPE	VALUE / REMARKS
74 0x04A	thermal expansion coefficient	1	r/w	uint32	0...9999999
537 0x219	normal temperature	1	r/w	uint16	0.00...99,999.99 step: 0.01 K Representation: temperature unit depending on variable 528
VAR	ANALOG OUTPUT	REGs	R/W	TYPE	VALUE / REMARKS
112 0x070	analog output	1	r/w	uint8	0=disable      1=enable
113 0x071	minimum rate	2	r/w	uint32	0...9999999 Representation: unit, time, decimals depending on variables 48, 49, 50
116 0x074	maximum rate	2	r/w	uint32	0...9999999 Representation: unit, time, decimals depending on variables 48, 49, 50
119 0x077	cut off percentage	1	r/w	uint8	0...99 Representation: 0.0 – 9.9%
120 0x078	tune minimum rate	1	r/w	uint16	0...9999
122 0x07A	tune maximum rate	1	r/w	uint16	0...9999
99 0x063	filter	1	r/w	uint8	0...99
VAR	COMMUNICATION	REGs	R/W	TYPE	VALUE / REMARKS
144 0x090	speed (baudrate)	1	r/w	uint8	0=1200      1=2400      2=4800 3=9600
145 0x091	Modbus address	1	r/w	uint8	1...255
146 0x092	Modbus mode	1	r/w	uint8	0=off      1=RTU      2=ASCII
VAR	OTHERS	REGs	R/W	TYPE	VALUE / REMARKS
160 0x0A0	model number	1	r	uint16	0...9999
173 0x0AD	model suffix	1	r	char	Representation:ASCII character
162 0x0A2	firmware version	2	r	uint32	0...999999 Representation: xx.xx.xx
165 0x0A5	serial number	2	r	uint32	0...9999999
168 0x0A8	pass code	1	r	uint16	0...9999
170 0x0AA	tag number	2	r/w	uint32	0...9999999

## INDEX OF THIS MANUAL

accumulated Total	8	keys	7
actual settings	51	low-battery	8
analog		Low-battery alarm	8
floating output.	34	main-function	10
flowrate min.	18	maintenance	38
intrinsically safe output.	34	model	19
output loop powered.	26	NAMUR-signal	30
Analog output	26	Operator level	8
Backlight	31	pass code	19, 43
battery life time	15, 38	power supply	25, 26
Clear Total	8	power supply intrinsically safe	34
Coil-signal	28	pressure - normal	17
communication	31	Problem solving	43
family-specific variables	44	Pulse-signal active pulse	29
Configuration	9	Pulse-signal NPN/PNP	28, 29
Dimension enclosures	21, 22	rate/Total	8
display		Reed-switch:	30
function	15	serial number	19
display update	15	SETUP-level	9
expansion coefficient	17	subfunction	10
filter	17	tagnumber	19
flowmeter		Technical specification	39
signal	16	temperature - normal	17
Flowmeter input	28	temperature input	30
flowrate		temperature settings	17
calculation	14	terminal connectors	25
decimals	14	time/date	8
decimals k-factor	14	total	
measuring unit	14	decimals	13
time unit	14	decimals k-factor	13
Installation	20	k-factor	13, 14
Intrinsic safety	32	measuring unit	13
Intrinsically Safe options	34	version software	19
IP classification	20		

## LIST OF FIGURES IN THIS MANUAL

Fig. 1: Typical application for the F126-P-EL. ....	5
Fig. 2: Control Panel. ....	7
Fig. 3: Example of display information during process. ....	8
Fig. 4: Example of low-battery alarm. ....	8
Fig. 5: Dimensions aluminum enclosures. ....	21
Fig. 6: Dimensions GRP enclosures. ....	22
Fig. 7: Grounding aluminum enclosure with type PM 115-230V AC. ....	23
Fig. 8: Switch setting sensor supply voltage. ....	24
Fig. 9: Overview of terminal connectors standard configuration F126-P-EL-TP and options. ....	25
Fig. 10: Overview terminal connectors communication option. ....	31
Fig. 11: Overview terminal connectors backlight option. ....	31
Fig. 12: Overview terminal connectors XI - Intrinsically Safe applications. ....	33
Fig. 13: Switch position voltage selection option PD-XI. ....	34
Fig. 14: Configuration example 1 Intrinsically Safe. ....	35
Fig. 15: Configuration example 2 Intrinsically Safe. ....	36



# DECLARATION OF CONFORMITY



*Count on us.*

## Declaration of Conformity

### Fluidwell F1- series

Veghel, February 2015

We, Fluidwell BV, declare under our sole responsibility that the F1- series are designed and will operate conform the following applicable European Directives and Standards, when installed and operated according to the manual:

EMC Directive 2004/108/EC EN61000-6-2:2005, EN61000-6-3:2007  
EN61326-1:2006

RoHS Directive 2011/65/EU EN 50581:2012

ATEX Directive 94/9/EC EN60079-0:2009  
Models –XI, Intrinsically Safe: EN60079-11:2007  
EN60079-26:2007  
EN61241-11:2006

Protective system:



II 1 G Ex ia IIC T4 Ga

II 1 D Ex ia IIIC T100 °C Da IP6X

Certificate:

KEMA 03ATEX1074 X, issue 4

Notified body 0344: DEKRA Certification BV, Meander 1051, 6825 MJ, Arnhem, The Netherlands.

Additionally, for options applicable or safe area versions:

Low Voltage Directive 2006/95/EC EN61010-1:2010

The last two digits of the year in which the CE marking was affixed: 03.

Remark: compliance is not affected by standards EN60079-0:2012 and EN60079-11:2012.

Fluidwell BV

I. Meij, Product Manager

Note: Fluidwell BV are ISO9001 certified by DEKRA Certification BV, Meander 1051, 6825 MJ, Arnhem, The Netherlands.



**Fluidwell bv**  
P.O. Box 6 • 5460 AA • Veghel  
Vollaweg 23 • 5466 AZ • Veghel  
The Netherlands

Telephone: +31 (0) 413 - 343 786  
Telefax: +31 (0) 413 - 363 443  
Email: [displays@fluidwell.com](mailto:displays@fluidwell.com)  
Internet: [www.fluidwell.com](http://www.fluidwell.com)

Trade Reg. No: 17120985  
VAT No: NL8085.29.699.B.01  
Bank: ING-Bank  
SWIFT Nr / BIC: INGBNL2A

EUR account no.: 66.63.96.078  
IBAN: NL73 INGB 0666 3960 78  
USD account no.: 02.20.81.771  
IBAN: NL22 INGB 0022 0817 71

All agreements, sales and deliveries are in accordance with our General Terms and Conditions which are available on our website or upon request. Any other conditions are herewith explicitly rejected by us.

**NOTES:**

<b>LIST OF CONFIGURATION SETTINGS</b>			
<b>SETTING</b>	<b>DEFAULT</b>	<b>DATE :</b>	<b>DATE :</b>
<b>1 - TOTAL</b>	Enter your settings here		
11 unit	L		
12 decimals	0000000		
13 K-factor	0000001		
14 decimals K-factor	0		
<b>2 - FLOWRATE</b>			
21 unit	L		
22 time unit	/min		
23 decimals	0000000		
24 K-factor	0000001		
25 decimals K-factor	0		
26 period time	1.0 sec.		
27 filter	0		
<b>3 - DISPLAY</b>			
31 function	total		
<b>4 - POWER MANAGEMENT</b>			
41 LCD-new	1 sec.		
42 mode	operational		
<b>5 - FLOWMETER</b>			
51 signal	coil-lo		
<b>6 - TEMPERATURE</b>			
61 no. of wires	3		
62 filter	10		
63 display unit	°C		
<b>7 - FORMULA</b>			
71 equations	EL	EL	EL
72 thermal exp. coefficient	0.000000		
73 normal temperature	273.15 K	K	K
<b>8 - ANALOG OUTPUT</b>			
81 output	disabled		
82 rate min. (4-mA)	0000000		
83 rate max. (20mA)	9999999		
84 cut off percentage	0.0%		
85 tune min (4mA)	0208		
86 tune max (20mA)	6656		
87 filter	01 (off)		
<b>9 - COMMUNICATION</b>			
91 speed (baud-rate)	2400		
92 address	1		
93 mode	BUS-RTU		
<b>A - OTHERS</b>			
A1 model	F126-P	F126-P	F126-P
A2 software version			
A3 serial number			
A4 password	0000		
A5 tagnumber	0000000		

## Limited Warranty Policy

Great Plains Industries, Inc. 5252 E. 36<sup>th</sup> Street North, Wichita, KS USA 67220-3205, hereby provides a limited warranty against defects in material and workmanship on all products manufactured by Great Plains Industries, Inc. This product includes a 2 year warranty. Manufacturer's sole obligation under the foregoing warranties will be limited to either, at Manufacturer's option, replacing or repairing defective Goods (subject to limitations hereinafter provided) or refunding the purchase price for such Goods theretofore paid by the Buyer, and Buyer's exclusive remedy for breach of any such warranties will be enforcement of such obligations of Manufacturer. The warranty shall extend to the purchaser of this product and to any person to whom such product is transferred during the warranty period.

The warranty period shall begin on the date of manufacture or on the date of purchase with an original sales receipt. This warranty shall not apply if:

- A. the product has been altered or modified outside the warrantor's duly appointed representative;
- B. the product has been subjected to neglect, misuse, abuse or damage or has been installed or operated other than in accordance with the manufacturer's operating instructions.

To make a claim against this warranty, contact the GPI Customer Service Department at 316-686-7361 or 888-996-3837. Or by mail at:

Great Plains Industries, Inc.  
5252 E. 36<sup>th</sup> St. North,  
Wichita, KS, USA 67220-3205

If you are outside North or South America contact:

Great Plains Industries – Australia  
1/16 Atkinson Road,  
Taren Point NSW 2229, Sydney, Australia

The company shall, notify the customer to either send the product, transportation prepaid, to the company at its office in Wichita, Kansas, or to a duly authorized service center. The company shall perform all obligations imposed on it by the terms of this warranty within 60 days of receipt of the defective product.

GREAT PLAINS INDUSTRIES, INC., EXCLUDES LIABILITY UNDER THIS WARRANTY FOR DIRECT, INDIRECT, INCIDENTAL AND CONSEQUENTIAL DAMAGES INCURRED IN THE USE OR LOSS OF USE OF THE PRODUCT WARRANTED HEREUNDER.

The company herewith expressly disclaims any warranty of merchantability or fitness for any particular purpose other than for which it was designed.

This warranty gives you specific rights and you may also have other rights which vary from U.S. state to U.S. state.

Note: In compliance with MAGNUSON MOSS CONSUMER WARRANTY ACT – Part 702 (governs the resale availability of the warranty terms).

Wichita · Sydney · Mexico City

GREAT PLAINS INDUSTRIES **GPI**

### Wichita - Headquarters

Great Plains Industries, Inc.  
5252 E. 36th St. N.  
Wichita, KS 67220-3205  
**316-686-7361**  
**GPI.net**

### Sydney - Manufacturing & Sales

Great Plains Industries Australia  
1/16 Atkinson Road  
Taren Point, NSW. 2229, Australia  
**+61 2 9540 4433**  
**flomec.com.au**

### Mexico - Sales Office

Great Plains Industries S De RL DE CV  
Av. Fray Luis de Leon 8051  
Oficina 13 Centro Sur  
Queretaro, Qro., Mexico 76090  
**+52 (442) 229-3139**