

Totalizing counter, battery powered Resettable/Non resettable

Model CTR30



8 digit LCD 0.35" (8.9mm) high digits

Totalizer

8 digit total:	0 to 99,999,999
Low speed count input	30Hz max, 50% duty cycle
Max low state voltage	0.5 V
High speed count input	10kHz max, 50% duty cycle
Min low voltage state	2.0 V
Max low voltage state	3 V
Optional remote reset	5ms min pulse width, 1.5 V pull up to battery
Battery	3.6 V Lithium non-replaceable, 7 year life (typical)
Wire connections	22 AWG
Environmental rating	NEMA 4/IP65 - face only
Operating temperature	0 to 50°C
Vibration protection	IEC 68-2-6 5-500Hz 1.5 hrs, 5g's
Shock protection	IEC 68-2-27 30 g's, 11ms
UL listed	UL508, UL50
Weight	2 oz (57g)
1/32 DIN cut-out	(1.77+0.024/-0x0.88+0.012/-0) in (45+0.6/-0x22.2+3/-0) mm

Features

LCD display
Compact footprint
Front panel and remote reset

Benefits

Easy to read
Suitable for panels or OEM use
Simple batch process counting

Description

The model CTR30 is an economical up-counting totalizer.

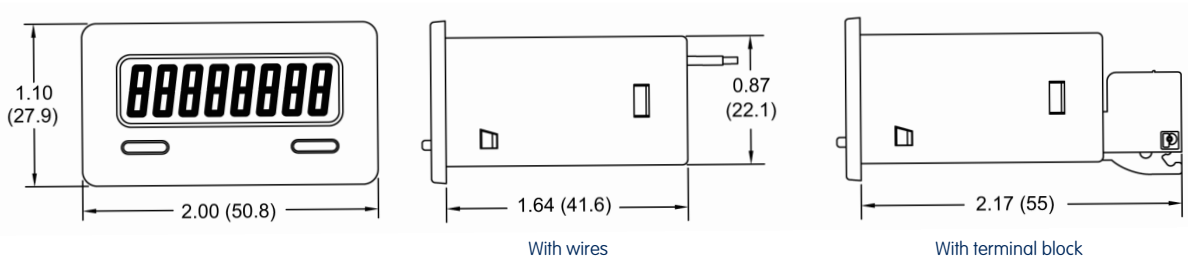
It includes large, easy to read 0.35" tall characters. The CTR30 will increment up 1 count for each pulse it receives.

Other features include selectable front panel button reset enable / disable, remote reset, and a range of input type configurations.

The low speed input is suited to contact closures such as reed switches or Elster AMCO Water's oil meters.

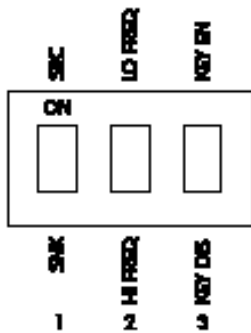
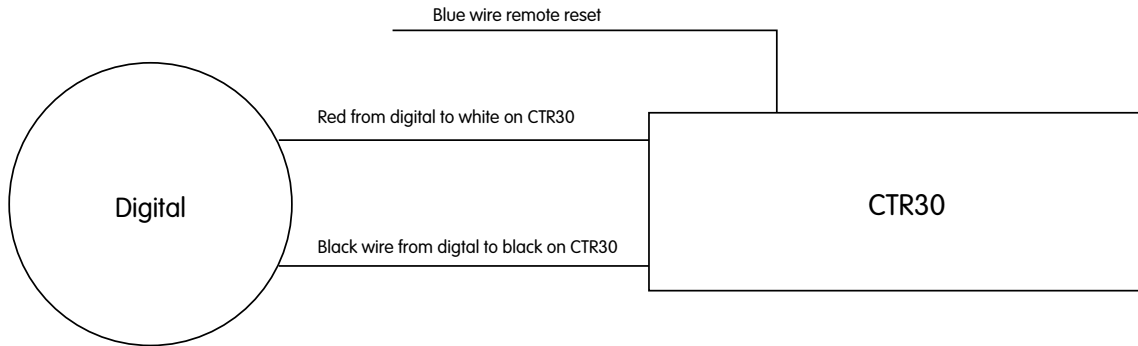
Wiring diagram examples are shown on the reverse page. Full size wiring diagrams detailing the connection of the CTR30 to our industrial metering products are available from Elster AMCO Water.





Dimensions in inches (mm).

Note: Recommended minimum clearance (behind the panel) for mounting clip installation is 2.1" (53.4) H x 5.5" (140) W.



DIP switch settings

	1	2	3
Digital	off	on	on

Low voltage inputs - wire colors

White	Blue	Black
Low voltage input	reset	common

Elster Meter configuration diagrams

Meter	CTR30 white	CTR30 black	DIP 1	DIP 2	
V100	red or yellow	blue or black	off	on	User defined: off disables use of front keys
H4000 (PR7)	red or yellow	black	off	on	
M190	either	either	off	on	
H4400 reed	either	either	off	on	
Oil meter reed	either	either	off	on	
evoQ ₄	red or white	green	off	off*	

* high flow rates with high pulse resolution may require 'off' setting



United States
Elster AMCO Water, LLC
10 SW 49th Avenue, Bldg. 100
Ocala, FL 34474
T +1 352 369 6500
F +1 352 368 1950
watermeters@elster.com

Canada
Elster Canadian Meter Company Inc.
1100 Walker's Line, Suite 101
Burlington, Ontario L7N 2G3
T +1 866 703 7581
F +1 905 634 6705
watermeters@elster.com

Caribbean
Elster AMCO Water, Inc.
P.O. Box 225, Carretera 112 KM 2.3
Isabella, PR 00662
T +1 787 872 2006
F +1 787 872 5427
prwatermeters@elster.com

© 2014 by Elster. All rights reserved.

The company's policy is one of continuous product improvement and the right is reserved to modify the specifications contained herein without notice. These products have been manufactured with current technology and in accordance with applicable AWWA Standards.