

70 flow ranges in 7 tube sizes makes these 250 mm scale glass tube, 304 Stainless steel case models one of our largest series. Dual port connections (both horizontal and vertical on each end) allow for a variety of installation options.



DESCRIPTION

Metering Tube	Borosilicate Kinglass
Internal Components	Standard: 316L SS Optional: Hastelloy C-276
Fitting Material	Standard: 316L SS Optional: PVC (vertical connections only)
Inlet/Outlet Fittings	NPT or flange, vertical or horizontal 360° fully rotatable
O-Ring	Standard: Viton Optional: Buna N, EPR, and Kalrez
Case and Covers	304 SS case Polycarbonate shield

PERFORMANCE

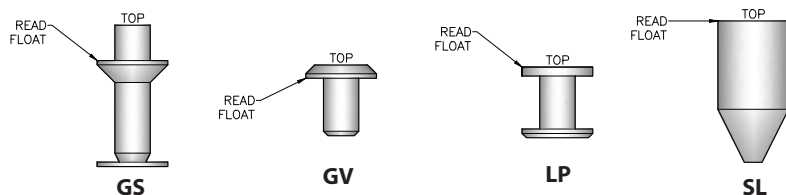
Capacities	Water 0.22 to 132 GPM Air 0.9 to 350 SCFM
Scale	250mm (10") direct reading, detachable
Accuracy	± 2% of full scale flow
Turndown	10:1
Repeatability	0.5 %
Maximum Temperature	316L SS fittings 200° F (93° C) PVC fittings 115° F (46° C)
Maximum Pressure	316L SS fittings 300 psig, size 3 & 4 316L SS fittings 250 psig, size 5 & 6 316L SS fittings 150 psig, size 8 316L SS fittings 125 psig, size 9 PVC fittings 150 psig, size 3,4,5,6 & 8 PVC fittings 125 psig, size 9
Ambient Temperature	33° F to 125° F (1° C to 52° C)

OPTIONS

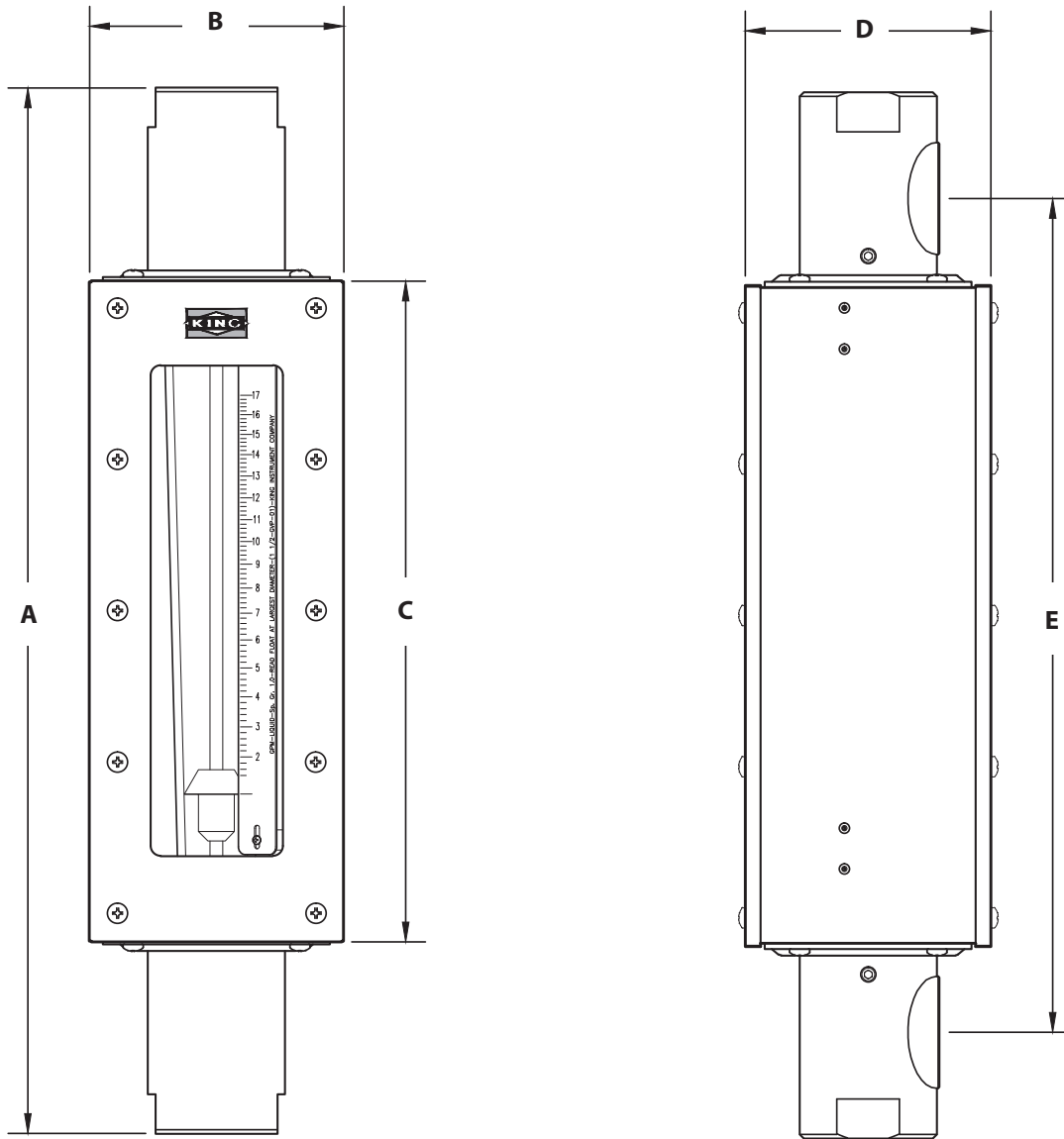
Alarm	Latching Reed Switch (See page 60)
Certified Calibrations	Conform to ISA RP 16.6
Scales	Any volumetric unit

FLOATS

Options for rotameter float materials and designs extend flow ranges for different fluids within a given rotameter tube design.



DIMENSION DIAGRAMS



Water Order No.	Air Order No.	Dimensions (Inches)					Connection Size FNPT
		A	B	C	D	E	
31W - 46W	31A - 46A	19.85	3.125	14.45	3.125	17.50	1/2" (FNPT) Flange connection are also available. Contact the factory.
51W - 69W	51A - 69A	20.75	4.625	14.46	4.50	17.45	1" (FNPT) Flange connections are also available. Contact the factory
610W - 613W	610A - 611A	20.75	4.625	14.46	4.50	17.45	1" (FNPT) Flange connections are also available. Contact the factory
84W - 99W	84A - 97A	25.65	6.25	16.25	6.125	20.50	1 1/2" Horiz., 2" Vert (FNPT) (PVC fittings vert. only) Flange connection also available. Contact the factory

7910 Series Specifications

Glass Tube

Water Order No.	Full Scale Flow GPM - Water	Alarm Opt.	Air Order No.	Full Scale Flow SCFM - Air	Alarm Opt.	Float Number	Float Type	Pressure Drop (Inches of Water)	Tube Size	Tube Number*
31W	0.220	No	31A	.9	No	3/8-LPG-01	LP	—	3G	3/8-20-G-10
32W	0.315	No	32A	1.4	No	3/8-SLG-01	SL	2	3G	3/8-20-G-10
33W	0.640	No	33A	2.7	No	3/8-SLG-02	SL	7	3G	3/8-20-G-10
41W	0.77	No	41A	3.4	No	1/2-LPG-01	LP	6	4G	1/2-32-G-10
42W	1.02	No	42A	4.4	No	1/2-LPG-02	LP	10	4G	1/2-32-G-10
43W	1.20	Yes	43A	5.0	Yes	1/2-GVG-01	GV	10	4G	1/2-32-G-10
44W	1.44	No	44A	6.1	No	1/2-GSG-01	GS	15	4G	1/2-32-G-10
45W	1.92	Yes	45A	8.5	Yes	1/2-SLG-01	SL	28	4G	1/2-32-G-10
46W	2.26	Yes	46A	10.2	Yes	1/2-SLG-02	SL	41	4G	1/2-32-G-10
51W	1.1	No	51A	4.5	No	3/4-LPG-01	LP	1	5G	3/4-28-G-10
52W	2.4	Yes	52A	10.0	Yes	3/4-GVG-01	GV	4	5G	3/4-28-G-10
53W	3.0	Yes	53A	12.0	Yes	3/4-GSG-01	GS	5	5G	3/4-28-G-10
54W	3.3	Yes	54A	13.2	Yes	3/4-GVG-02	GV	6	5G	3/4-28-G-10
55W	4.0	Yes	55A	16.4	Yes	3/4-GSG-02	GS	6	5G	3/4-28-G-10
56W	5.2	Yes	56A	22.0	Yes	3/4-SLG-01	SL	18	5G	3/4-28-G-10
61W	6.9	Yes	—	—	—	1-LPG-02	LP	4	6G	1-32-G-10
62W	9.8	No	—	—	—	1-SLG-01	SL	8	6G	1-32-G-10
63W	12.6	Yes	—	—	—	1-SLG-02	SL	13	6G	1-32-G-10
64W	6.7	No	64A	27.0	No	1-LPP-01	LP	4	6P	1-40-P-10
65W	7.4	No	65A	30.0	No	1-GVP-01	GV	6	6P	1-40-P-10
66W	8.5	No	66A	35.0	No	1-GVP-02	GV	8	6P	1-40-P-10
67W	10.4	No	67A	42.5	No	1-GSP-01	GS	10	6P	1-40-P-10
68W	11.6	No	68A	46.5	No	1-GVP-03	GV	15	6P	1-40-P-10
69W	12.0	No	69A	50.0	No	1-GSP-02	GS	14	6P	1-40-P-10
610W	15.6	No	610 A	63.0	No	1-GSP-03	GS	24	6P	1-40-P-10
611W	21.6	Yes	611A	100.0	Yes	1-SLP-01	SL	61	6P	1-40-P-10
612W	27.5	Yes	—	—	—	1-SLP-02	SL	85	6P	1-40-P-10
613W	34.5	Yes	—	—	—	1-SLP-03	SL	110	6P	1-40-P-10
84W	17.0	No	84A	70.0	No	11/2-GVP-01	GV	10	8P	11/2-32-P-10
85W	21.2	No	85A	87.0	No	11/2-GVP-02	GV	13	8P	11/2-32-P-10
86W	22.2	No	—	—	—	11/2-GSP-01	GS	14	8P	11/2-32-P-10
87W	24.8	No	87A	102.0	No	11/2-GVP-03	GV	18	8P	11/2-32-P-10
88W	28.5	No	—	—	—	11/2-GSP-02	GS	20	8P	11/2-32-P-10
89W	35.0	No	—	—	—	11/2-GSP-03	GS	24	8P	11/2-32-P-10
94W	41.5	No	94A	170.0	No	2-GVP-01	GV	20	9P	2-30-P-10
95W	58.0	No	95A	240.0	No	2-GSP-01	GS	25	9P	2-30-P-10
96W	65.0	No	96A	270.0	No	2-GSP-02	GS	30	9P	2-30-P-10
97W	85.0	No	97A	350.0	No	2-SLP-00	SL	40	9P	2-30-P-10
98W	100.0	No	—	—	—	2-SLP-01	SL	50	9P	2-30-P-10
99W	132.0	No	—	—	—	2-SLP-02	SL	60	9P	2-30-P-10

* Tubes designated "G" have rib-guided floats.
Tubes designated "P" have pole-guided floats.

ORDERING:

Use the following guide to determine the specific product number you require.

7	9	1					*		
Meter Series	Fitting Material	Float Material	O-Ring Material	Order Number	Connection	Alarm Option			
	316 Stainless steel - 2 PVC (not for air) - 3	316L SS - 2 Hastelloy 276-C - 4	EPR - 1 Buna-N - 2 Viton® - 3 Kalrez® - 4	See Specifications	Vertical - V Horizontal - H (plastic fittings vertical only)	No Alarm - 0 Alarm - A			

* Only use this 4th box with order numbers 610W thru 613W. Otherwise leave blank.