

Type 1, Grade 1 PVC tube meters offer chemical resistance. The dial type display makes measuring opaque fluids simple. A 4-20mA transmitter is optional.

New Indicator Housing!



DESCRIPTION

Metering Tube	Type 1, grade 1 PVC
Internal Components	Hastelloy® C-276
Fitting Material	Type 1, grade 1 PVC
Inlet/Outlet Fittings	NPT or flange, vertical
O-Ring	Standard: Viton® Optional: Buna N, EPR, Kalrez®
Indicator Housing	Die-cast Aluminum / Powder Coated with Chemfilm base (RoHS Compliant)

PERFORMANCE

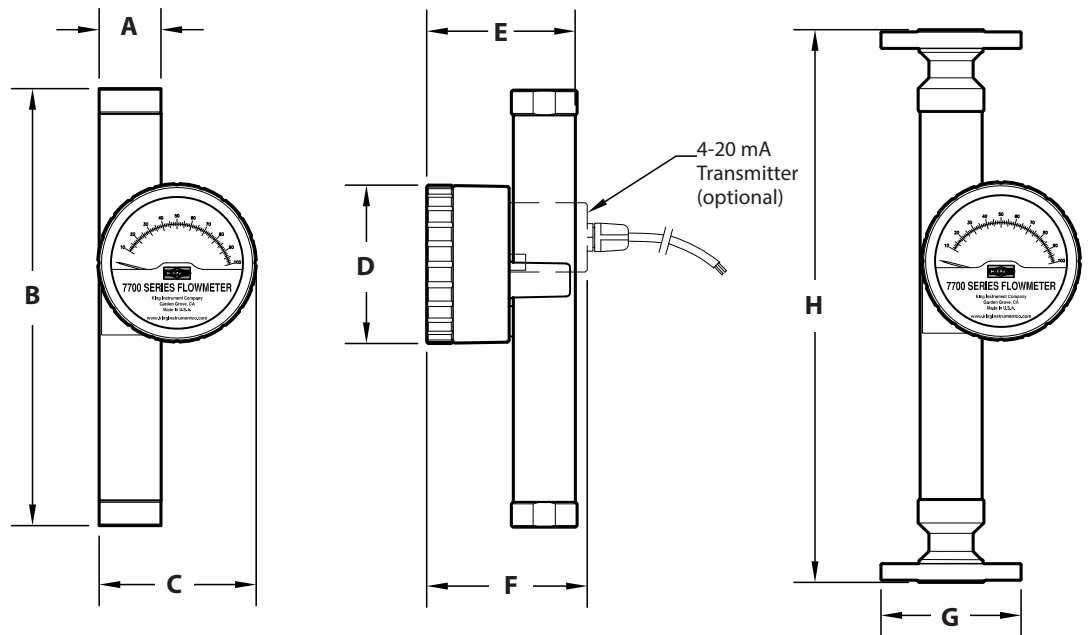
Capacities	Water 33 GPH to 450 GPM
Scale	120 mm direct reading, detachable
Accuracy	± 3% of full scale flow
Turndown	10:1
Repeatability	1%
Maximum Temperature	130° F (54° C)
Maximum Pressure	150 psig, sizes 4 & 6 125 psig, sizes 8, 9, 11, 12
Ambient Temperature	33° F to 125° F (1° C to 52° C)

OPTIONS

Alarm	Single or dual, Inductive Slot Sensor 4-20 mA transmitter (See page 62)
Certified Calibrations	Conform to ISA RP 16.6
Scales	Any volumetric unit

DIMENSION DIAGRAMS

Order Number	Full Scale Flow GPM - Water
706	33.0 GPM - 1/2" FNPT/Flange
708	1.1 GPM - 1/2" FNPT/Flange
710	2.0 GPM - 1/2" FNPT/Flange
712	4.0 GPM - 1/2" FNPT/Flange
714	6.0 GPM - 1/2" FNPT/Flange
716	5.0 GPM - 1" FNPT/Flange
718	10.0 GPM - 1" FNPT/Flange
720	16.5 GPM - 1" FNPT/Flange
722	25.0 GPM - 1" FNPT/Flange
724	35.0 GPM - 1 1/2" FNPT/Flange
726	60.0 GPM - 1 1/2" FNPT/Flange
728	76.0 GPM - 2" FNPT/Flange
730	100.0 GPM - 2" FNPT/Flange
732	120.0 GPM - 2" FNPT/Flange
734	152.0 GPM - 2" FNPT/Flange
736	150.0 GPM - 3" Flange
738	225.0 GPM - 3" Flange
740	300.0 GPM - 4" Flange
742	375.0 GPM - 4" Flange
744	450.0 GPM - 4" Flange



Order Number	Dimensions (Inches) FNPT Connections						150 # Flange		300 # Flange	
	A	B	C	D	E	F	G	H	G	H
706 - 714	1.30	11	4.32	4.8	3.92	4.87	3.50	13.125	3.75	13.625
716 - 722	1.88	13.24	4.86	4.8	4.50	4.87	4.25	16.75	4.88	17.500
724 - 726	2.34	13.864	5.24	4.8	4.96	4.87	5.00	18.625	6.12	19.250
728 - 734	3.46	13.875	6.35	4.8	6.08	4.87	6.00	17.156	6.50	17.786
736 - 738	4.46	—	7.26	4.8	7.08	4.87	7.50	17.867	8.25	18.867
740 - 744	5.49	—	8.24	4.8	8.11	4.87	9.00	18.562	10.00	19.696

ORDERING:

Use the following guide to determine the specific product number you require.



Meter Series	Connection Type	Float Material	O-Ring Material	Optional Alarm/Transmitter	Order Number
772	FNPT Connections - 1 150# R.F. Flanged - 2	Hastelloy®C-276 - 4	EPR - 1 Buna-N - 2 Viton® - 3 Kalrez® - 4	None - 0 With Transmitter - T One Alarm (Inductive Slot Sensor) - A Two Alarms (Inductive Slot Sensors) - D	See Specifications