

Economical machined cast acrylic block construction makes these meters great for OEM use. Optional inlet metering valve available.



## DESCRIPTION

<b>Metering Tube</b>	Machined cast acrylic
<b>Internal Components</b>	316L SS
<b>Fitting Material</b>	Standard: PVC (brass for 2C block size) Optional: 316L SS or brass
<b>Inlet/Outlet Fittings</b>	NPT, horizontal Control valve optional
<b>O-Ring</b>	Standard: EPR Optional: Buna N, Viton®, and Kalrez®

## PERFORMANCE

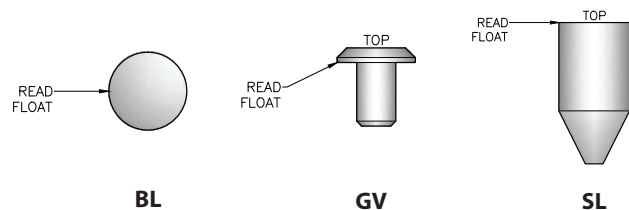
<b>Capacities</b>	Water 7 GPH to 20 GPM Air 2.6 SCFH to 60 SCFM
<b>Scale</b>	50mm, 75mm, 100mm, 127mm, 250mm direct reading
<b>Accuracy</b>	± 6% of full scale flow, 50 mm scale ± 4% of full scale flow, 75 mm scale ± 4% of full scale flow, 100 mm scale ± 7% of full scale flow, 6C-04, 6C-06 ± 3% of full scale flow, 127 mm scale ± 2% of full scale flow, 250 mm scale
<b>Turndown</b>	10:1
<b>Repeatability</b>	3%, 50 mm scale 2%, 75 mm scale 2%, 100 mm scale 4%, 6C-04, 6C-06 2%, 127 mm scale 0.5%, 250 mm scale
<b>Maximum Temperature</b>	Liquid 130° F (54° C) Gases 100° F (38° C)
<b>Maximum Pressure</b>	Water 125 psig Air 100 psig
<b>Ambient Temperature</b>	33° F to 125° F (1° C to 52° C)

## OPTIONS

<b>Certified Calibrations</b>	Conform to ISA RP 16.6
<b>Scales</b>	Any volumetric unit

## FLOATS

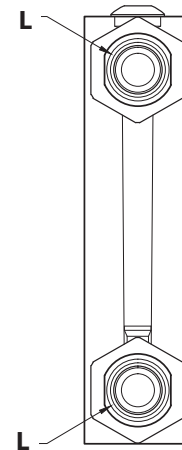
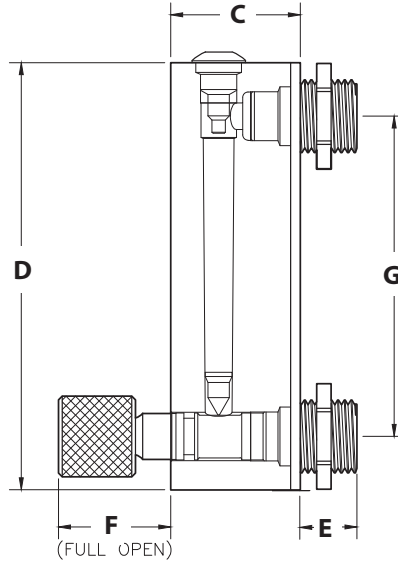
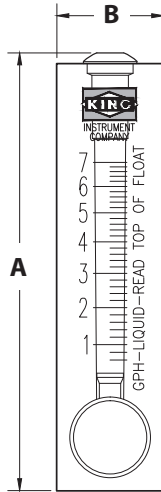
Options for rotameter float materials and designs extend flow ranges for different fluids within a given rotameter tube design.



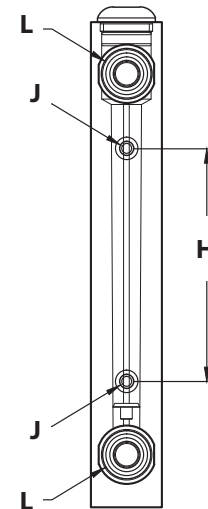
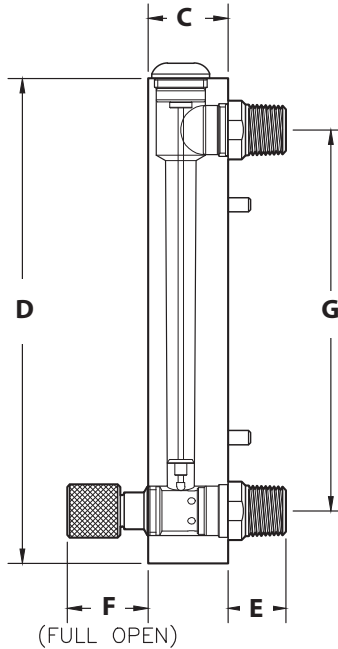
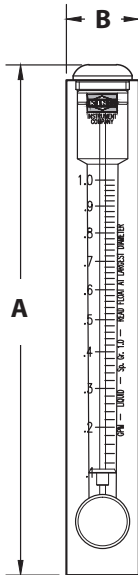
**CAUTION:** Meters used in gas service are designed to operate at 14.7 psia. Meters used in pressure gas service must be shielded using 3/8" polycarbonate to protect personnel and equipment in the event of tube failure.

## DIMENSION DIAGRAMS

2C blocks



3C, 5C, 6C, 7C blocks



Water Order Number	Air Order Number	Dimensions (Inches)							Connections & Mounting			
		A	B	C	D	E	F	G	Connection Size	Centerline H	Thread J	Diameter L
Block #2C, 50mm (2 Inch) Scale												
2C-02 - 2C-12	2C-01 - 2C-17	4.125	1	1.215	4	.50	1.05	3	1/4" FNPT			.700
Block #3C, 75mm (3 Inch) Scale												
3C-02 - 3C-08	3C-01 - 3C-07	6.875	1.20	1.35	6.625	1	1.37	5	1/2" MNPT x 1/4" FNPT	3	.25 - 20	1
Block #5C, 127mm (5 Inch) Scale												
5C-10 - 5C-08	5C-11 - 5C-07	8.45	1.20	1.35	8.25	1	1.37	6.437	1/2" MNPT x 1/4" FNPT	3.937	.25 - 20	1
Block #6C, 100mm (4 Inch) Scale												
6C-02 - 6C-06	6C-01 - 6C-03	9.125	1.78	1.812	8.875	1.25	1.875	6.437	1" MNPT	3.937	.25 - 20	1.375
Block #7C, 250mm (10 Inch) Scale												
7C-02 - 7C-08	7C-01 - 7C-07	14.50	1.78	1.812	14.25	.75	1.75	12.25	1/2" FNPT	8.75	.375 - 24	1.25

Order Number	Float	Flow Water	Order Number	Float	Flow Air
Block #2C, 50mm (2 Inch) Scale					
-	-	-	2C-01*	BL	2.6 SCFH
-	-	-	2C-03**	BL	5 SCFH
-	-	-	2C-05*	BL	10 SCFH
-	-	-	2C-07*	BL	20 SCFH
2C-02	SL	7 GPH	2C-09**	BL	30 SCFH
2C-04	SL	12 GPH	2C-11	SL	60 SCFH
2C-06	SL	22 GPH	2C-13	SL	100 SCFH
2C-08	SL	44 GPH	2C-15	SL	180 SCFH
2C-10	SL	60 GPH	2C-17	SL	4 SCFM
2C-12	SL	75 GPH	-	-	-

\*These meters have glass ball floats

\*\*These meters have stainless steel ball floats.

Order Number	Float	Flow Water	Order Number	Float	Flow Air
Block #3C, 75mm (3 Inch) Scale					
3C-02	GV	1 GPM	3C-01	GV	4 SCFM
3C-04	GV	2 GPM	3C-03	GV	8 SCFM
3C-06	SL	3.5 GPM	3C-05	SL	15 SCFM
3C-08	SL	5 GPM	3C-07	SL	23 SCFM
Block #5C, 127mm (5 Inch) Scale					
5C-10	GV	10 GPH	5C-11	GV	42 SCFH
5C-12	SL	20 GPH	5C-13	SL	100 SCFH
5C-14	SL	40 GPH	5C-15	SL	175 SCFH
5C-02	GV	1 GPM	5C-01	GV	4 SCFM
5C-04	GV	100 GPH	5C-03	GV	6.8 SCFM
5C-06	GV	2 GPM	5C-05	GV	8.2 SCFM
5C-08	SL	5 GPM	5C-07	SL	22 SCFM
Block #6C, 100mm (4 Inch) Scale					
6C-02	SL	10 GPM	6C-01	SL	40 SCFM
6C-04	SL	15 GPM	6C-03	SL	60 SCFM
6C-06	SL	20 GPM	-	-	-
Block #7C, 250mm (10 Inch) Scale					
7C-02	GV	2 GPM	7C-01	GV	8 SCFM
7C-04	GV	3.5 GPM	7C-03	GV	14.4 SCFM
7C-06	GS	5 GPM	7C-05	GS	20 SCFM
7C-08	SL	10 GPM	7C-07	SL	42 SCFM

Blocks 3C, 5C, 6C and 7C have mounting studs depicted in dimension "H" and thread "J". (Mounting nuts not supplied)

## ORDERING:

Use the following guide to determine the specific product number you require.

Meter Series	Fitting Material	O-Ring Material	Valve Material	Order Number
7520 No valve	Brass - 1	EPR - 1	Brass - 1	See Specifications
7530 With valve	PVC - 2 (2C not available in PVC)	Buna-N - 2	316L SS - 2	
	316L SS - 3	Viton® - 3	Without Valve - 0	