

All 316L stainless steel construction makes this meter suitable for low-flow, high-pressure applications.



DESCRIPTION

Metering Tube	316L SS
Internal Components	316L SS, Hastelloy® C-276
Case and Side Cover	Die-cast Aluminum / Powder Coated with Chemfilm base (RoHS Compliant)
Fitting Material / Type	316L SS ¼" FNPT, horizontal
Scale Cover	304 SS frame Annealed glass window
O-Ring	EPR, Buna N, Kalrez®

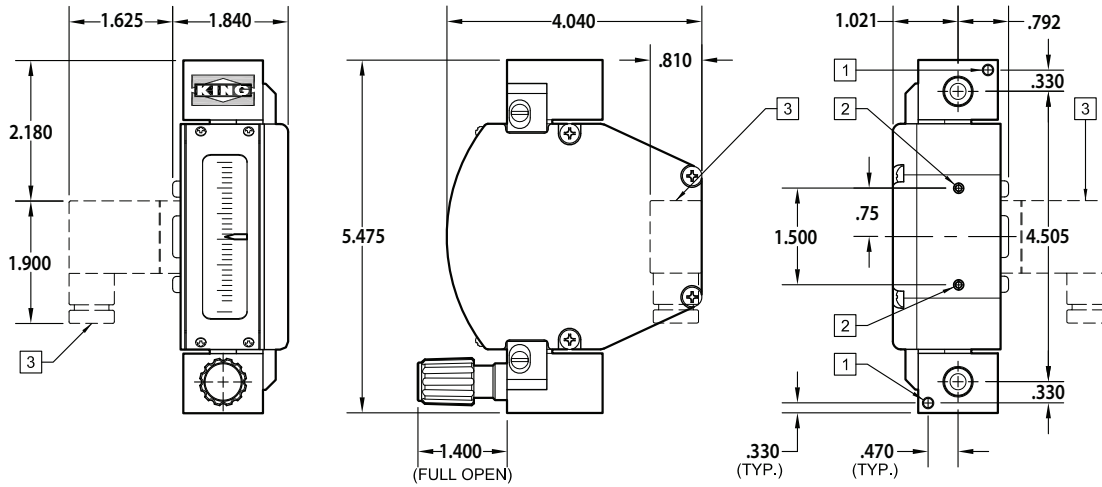
PERFORMANCE

Flow Capacities	Water	0.6 to 25 GPH (2.4 to 95 LPH)	
	Air	1 to 120 SCFH (28.3 to 3,400 SLPH)	
Accuracy	± 5% of full scale flow		
Repeatability	1%		
Turndown	10:1		
Ambient Temperature	-40°F to 125°F (-40°C to 52°C)		
Maximum Temperature	O-Ring	Maximum Temperature	
	EPR	225° F	(107° C)
	Buna N	275° F	(135° C)
	Viton	350° F	(177° C)
	Kalrez	400° F	(204° C)
No O-ring	400° F	(204° C)	
FNPT Connection Pressure	Valve models — 1,500 psig Non-valve models — 4,000 psig		
Flange Connection Pressure	Temp F	150#	300#
	200°	225 psi	600 psi
	300°	200 psi	540 psi
	400°	180 psi	515 psi

OPTIONS

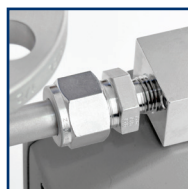
Alarm	Single, Inductive Slot Sensor (See page 61)
Certified Calibrations	ISA RP 16.6
Control Valves	Inlet and outlet
CRNs	All Canadian provinces (Flange connections are not CRN approved)
Rear Mounting Bracket	304 SS
Scales	Any volumetric unit

DIMENSION DIAGRAMS (INCHES)

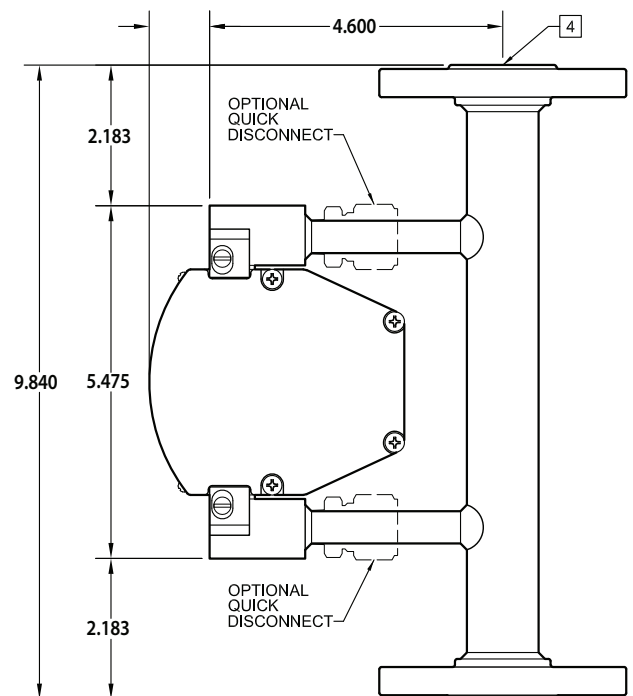


- 1 10-32 THREADED PANEL MOUNTING HOLES (2 PLACES)
- 2 10-32 THREADED HOLE FOR OPTIONAL MOUNTING BRACKET (2 PLACES)
- 3 OPTIONAL ALARM CONNECTION (BACKSIDE OF CASE)
- 4 FLANGE CONNECTION (1/2" / 1"-150# FLANGE - FULLY WELDED ASSEMBLY / QUICK DISCONNECT OPTIONAL)

Flange Connections Now Available!



Threaded connection for easy meter replacement.



SPECIFICATIONS WATER METERING

Order Number	Full Scale Flow Water GPH	Full Scale Flow Water LPH
02W	.6	2.4
04W	1.2	4.5
06W	2.8	10.5
08W	5.5	20
10W	12	45
12W	25	95

SPECIFICATIONS AIR METERING

Order Number	Full Scale Flow Air SCFH	Full Scale Flow Air SLPH
00A*	1.0	28.3
01A	2.5	70
03A	5.5	155
05A	13	360
07A	24	680
09A	55	1550
11A	120	3400

* This meter has a titanium float

ORDERING:

Use the following guide to determine the specific product number you require.

Meter Series	Material of Construction	O-Ring Material	Scale	Valve Options	Optional Alarm	Order Number
710	316L SS, ¼" FNPT - 1	No O-ring* - 0	Millimeter - 1	Inlet 316L SS - 1	No Alarm - 0	See Specifications
	HST® C-276, ¼" FNPT - 2	EPR - 1	GPH Water - 2	Outlet 316L SS - 2	With Alarm - A	above
	316L SS, ½" 150# RF Welded - A	Buna-N - 2	LPH Water - 3	No Valve - 3		
	316L SS, 1" 150# RF Welded - B	Viton® - 3	SCFH Air@STP - 4	Inlet HST® C-276 - 4		
	316L SS, ½" 300# RF Welded - C	Kalrez® - 4	SLPH Air@STP - 5	Outlet HST® C-276 - 5		
	316L SS, 1" 300# RF Welded - D		Non standard - 6			
	316L SS, ½" 150# RF Quick Connect - E					
	316L SS, 1" 150# RF Quick Connect - F					
	316L SS, ½" 300# RF Quick Connect - G					
	316L SS, 1" 300# RF Quick Connect - H					

* The No O-ring option is for non-valve meters only

Hastelloy (HST) C-276® is a registered trademark of Haynes International

Viton® is a registered trademark of The Chemours Company

Kalrez® is a registered trademark of the DuPont Company